

SKYLINE[®]

ARCHITECTURAL ALUMINIUM

Architectural Aluminium Fabrications Technical Brochure

Fascias & Soffits

Copings

Window Surrounds

Anti-Climb Barrier

Column Casings

Door Canopies

Planters

ALUMASC[®]

WATER MANAGEMENT SOLUTIONS





Rain to drain solutions that set the standard for urban water management

Alumasc is a UK-based supplier of premium building products. The majority of the group's business is in the area of sustainable building products which enable customers to manage energy and water use in the built environment.

Alumasc Water Management Solutions provide 'Rain to Drain' solutions, that set the standard for urban water management. They include: **Skyline** Architectural Aluminium; **Alumasc Rainwater Gutters & Downpipes**; **Harmer** Building Drainage; **Wade** Building Drainage and **Gatic Drainage & Engineered Access Covers**.

Under the AWMS banner, customers benefit from rainwater and drainage products that capture, retain and control the flow of rainwater in the most effective way inside and outside buildings.



www.alumascwms.co.uk

Contents

Skyline Introduction	4	Anti-Climb Barrier	98
Skyline Architectural Aluminium Range Overview	6	Anti-Climb: Sectors	100
Fully Integrated Solutions	8	Anti-Climb Range Overview	102
From Concept to Reality	9	Standard Components	103
Skyline Architectural Aluminium: Sectors	10	Anti-Climb Typical Applications	106
Quality & Sustainability	11	Anti-Climb Installation Guide	108
Aluminium: A Unique Material	12		
Colours	14	Column Casings	114
Alumasc Service & Support	16	Column Casings Range Overview	116
		Circular Column Casings	118
Fascias	18	Square Column Casings	120
Fascias Range Overview	20	Column Casings Installation Guide	122
Standard Profiles	21		
Fascia Universal Trims	38	Door Canopies	126
Fascia Installation Guide	40	Door Canopies Range Overview	128
Designer Fascias Overview	42	CA90 Door Canopy	132
Designer Fascia Profiles	43	CA160 Door Canopy	134
		BS150 Door Canopy	136
Soffit	52	Bespoke Door Canopies	138
Standard Profiles	54	Door Canopies Installation Guide	140
Soffit Universal Trims	60		
Bespoke Soffit	62	Architectural Planters	142
Soffit Installation Guide	64	Architectural Planters Range Overview	144
		Planters Product Range	146
Coping	66	Planters Assembly Guide	148
Coping Range Overview	68		
SL-Flat Coping	70		
SC-Sloping Coping	74		
Bespoke & Variable Copings	78		
Coping Installation Guide	80		
Window Surrounds & Cills	82		
Window Surrounds Range Overview	84		
Deepline Window Surrounds	86		
Slimline Window Surrounds	88		
Modular Component Solutions	90		
Bespoke Window Surrounds	92		
Window Surrounds Installation Guide	94		
Window Cills	96		

Skyline Introduction

Skyline Architectural Aluminium is an innovative concept in the construction marketplace – an integrated collection of unparalleled design solutions for the building roofline, envelope and critical junctions in the building structure.

“A brand that is synonymous with excellence in design solutions at the crucial interface between the roofline and facade.”

Skyline Architectural Aluminium is the result of years of experience, technical expertise and continuous product innovation.

Skyline aluminium fabrications are manufactured by Alumasc exclusively in the UK, and delivered fully finished to site ready for installation. Our experienced technical teams are always available to provide advice and support.

Our objective with Skyline Architectural Aluminium is to stimulate architects to push their creativity to the limit with designs of aesthetic merit, high performance and low maintenance. Promotion of sustainability is central in the Skyline ethos of providing whole life cost benefits. High performance and sustainability go hand-in-hand with low maintenance aluminium manufactured from materials that are 100% recyclable



Skyline Architectural Aluminium embodies integrated design solutions that are relevant to all aspects of the aesthetic and functional performance of buildings. Alumasc has a long pedigree of over 50 years of industry experience and product development, working with architects to create some of the most ambitious and prestigious projects in the UK.

Continuing research and development has seen our product offering develop and expand to meet the needs of modern construction projects. We were early leaders in recognising the potential of aluminium in building and of the innovative role this versatile material can play. From a core, trusted range of Skyline Fascia, Soffits and Copings, Skyline Architectural Aluminium has evolved to also include Skyline Window Surrounds, Door Canopies, Anti-Climb Barriers, Column Casings and Architectural Planters.

Alumasc is now the leading UK supplier of architectural aluminium fabrications, which are delivered to site ready for installation.

The benefits of Skyline Architectural Aluminium solutions include functionality combined with aesthetic quality, colour coordination and bespoke manufacture. There are no limits to the size and type of project undertaken, and we offer full guidance to professional installers.

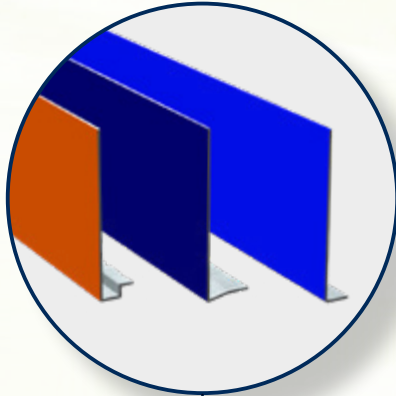


Skyline Architectural Aluminium - Range Overview

The connection between roof and walls at the eaves is one of the most crucial facets of building design – both functionally and aesthetically. Skyline Architectural Aluminium offers vibrant and dramatic engineered solutions at this critical interface, perfectly suited to a wide range of building types across the private residential, commercial and public sectors.

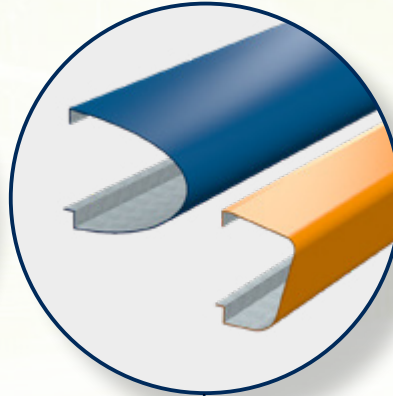
Standard Fascia

(See pages 20-41)



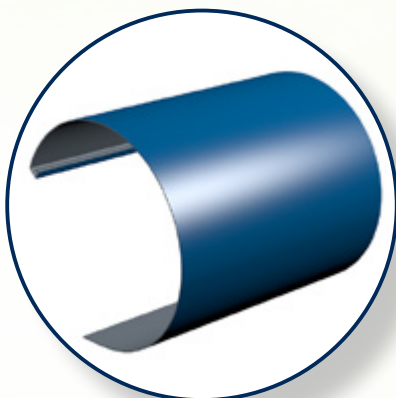
Designer Fascia

(See pages 42-51)



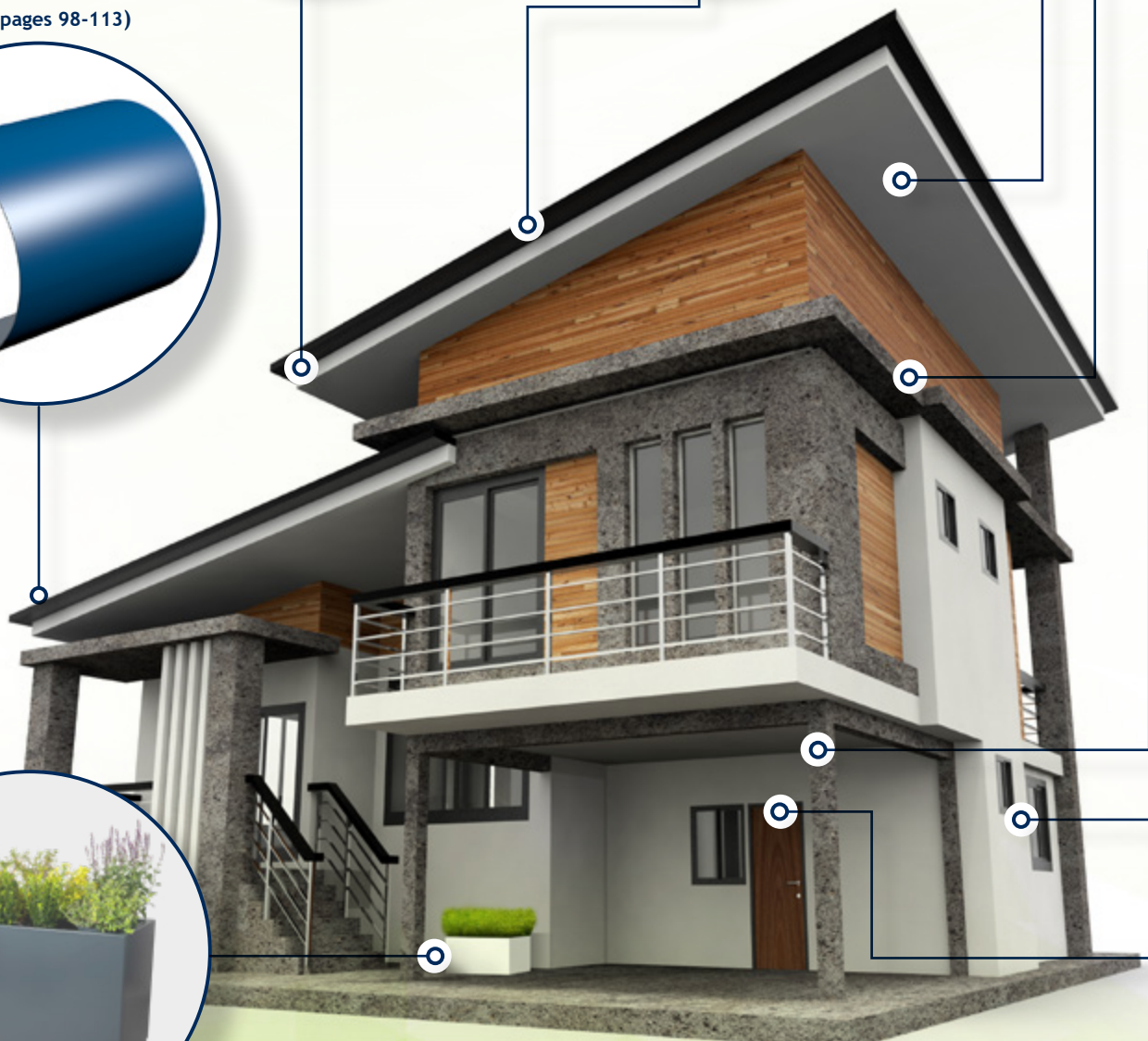
Anti-Climb Barrier

(See pages 98-113)

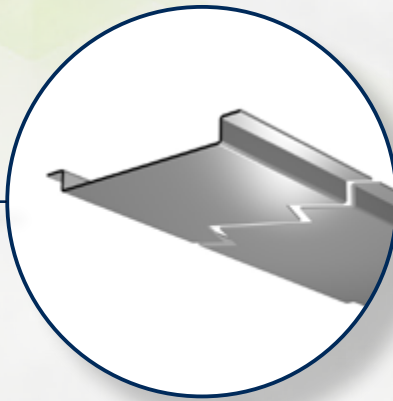


Architectural Planters

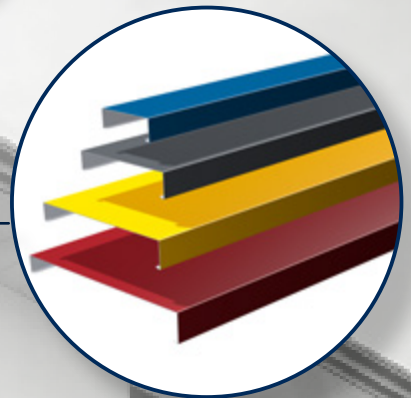
(See pages 142-149)



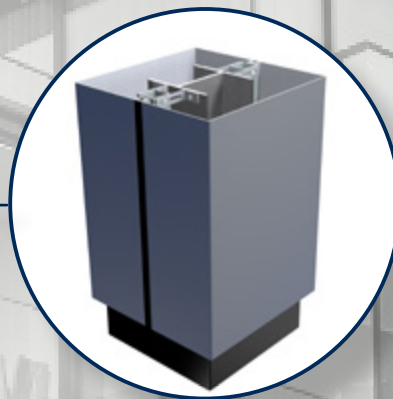
Soffits (See pages 52-65)



Flat & Sloping Coping (See pages 66-81)



Column Casings (See pages 114-125)



Window Surrounds & Cills (See pages 82-97)



Door Canopies (See pages 126-141)



Fully Integrated Solutions

Our technical solutions-based philosophy provides the basis for a virtually unlimited range of choice through an offer that can be applied with total flexibility – from simple standard solutions to fully bespoke unique specification and manufacture.

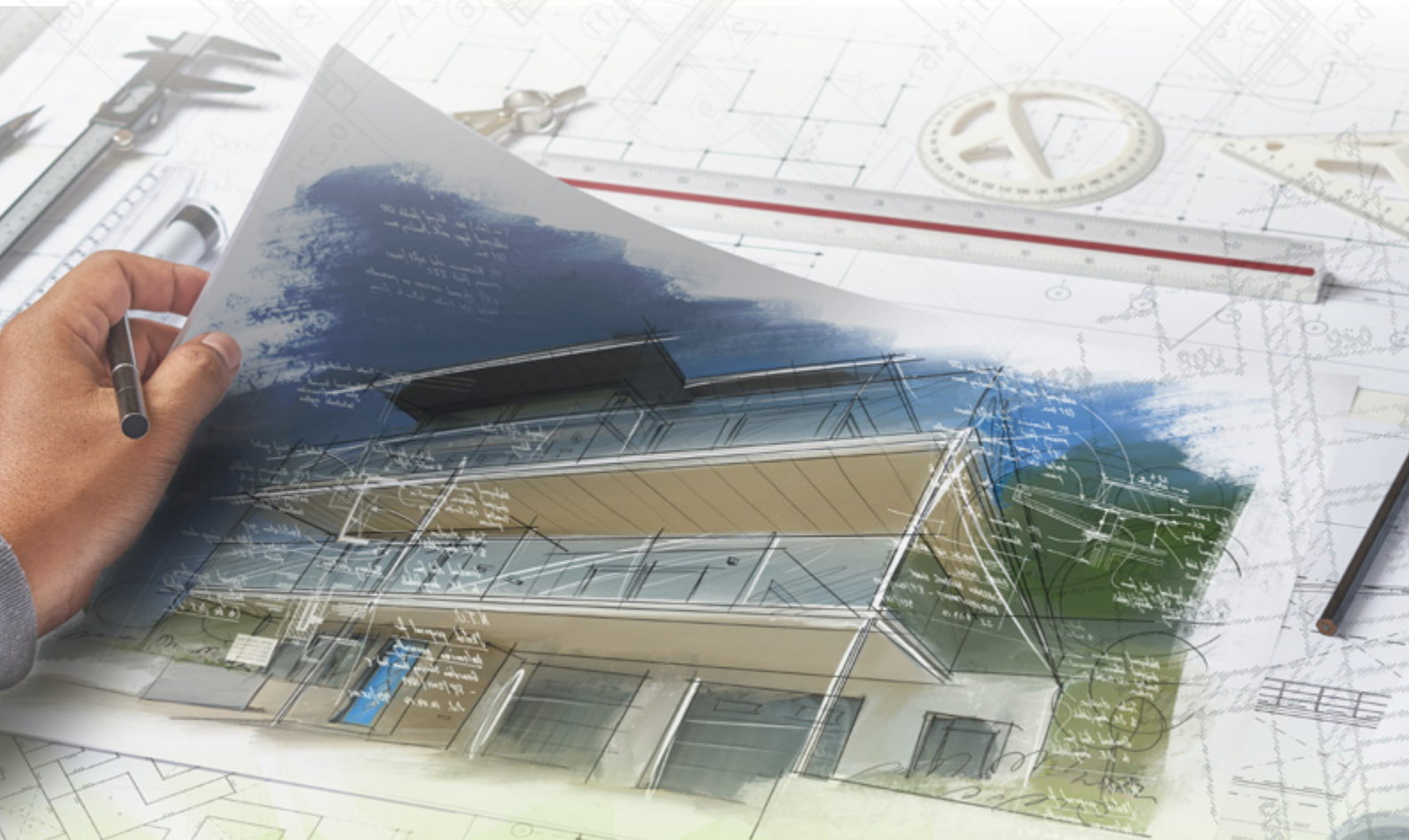
The ultimate in flexibility and innovation

Alumasc's pre-eminent fabrication capabilities make possible a virtually unlimited range of dramatic engineered solutions at the all-important interface between roof and façade.

The extended range of Skyline Architectural Aluminium Systems embodies design synergies and solutions that can be combined and configured in a vast number of different ways. The purpose being to meet every design challenge, large or small, at the interface between walls and roof – to enhance the performance of the building envelope and the effective separation of the building interior and exterior. Skyline Architectural Aluminium gives designers total creative freedom. We can transform innovative design concepts into manufactured reality, delivered to site.

Skyline Architectural Aluminium offers an outstanding combination of aesthetic possibilities and practical durability, whether it be on new build or modernisation/refurbishment projects.

Alumasc has a range of 26 BBA approved standard polyester colour coatings, with any BS or RAL colour available to order. For quality, appearance and longevity, our factory finished polyester powder coatings are vastly superior to any site applied finish.





Skyline Architectural Aluminium From concept to reality

Transforming an idea into reality may sound like a fanciful claim – but that is exactly what Skyline Architectural Aluminium enables designers to achieve. Any roofline design concept formulated in the mind of the designer can be realised through Alumasc's manufacturing capability. From a designer's brilliant ideas and sketches, we can create a perfect manufactured solution to meet a client brief across any construction sector.

Our expert technical teams will liaise closely with client and architect to manufacture a solution in Skyline Architectural Aluminium that perfectly meets the brief in terms of aesthetics, sustainability and lifetime performance.

Skyline Architectural Aluminium - Sectors

Our technical solutions-based philosophy provides the basis for extensive choice through an offer that can be applied with great flexibility across all sectors of construction.

Residential

Aluminium is a perfect choice for housebuilding; it is visually attractive and trouble free as a highly durable material of great longevity. From a contracting standpoint, Skyline Architectural Aluminium fabrications are straightforward to install and require no on-site finishing.



Commercial

Skyline Architectural Aluminium is in many ways ideal for the commercial sector. It offers an excellent combination of visual appeal, durability and longevity.

Good visual appearance is an important customer confidence booster, while the high-performing technical qualities of aluminium bring reliability and long term cost effectiveness to commercial building projects.

Healthcare & Public Sector

Skyline offers fully integrated solutions for the entire public sector from large urban hospital complexes and nursing homes to Schools and University campuses.

Aluminium is a high-performing and hygienic material that does not degrade, deteriorate or attract pests. It is therefore ideal in settings where hygiene is important and where patient and student welfare are key considerations.



Industrial & Security

The qualities of aluminium can bring significant benefits to the industrial and security sector, particularly in terms of durability and minimal maintenance.

Skyline Architectural Aluminium has a track record in delivering products to high security areas such as airports, border control and prisons. Pre-finished fabrications, durability and longevity mark Skyline as a practical and cost effective solution within industrial and security projects.



Infrastructure

Skyline Architectural Aluminium embodies an extensive portfolio of integrated product solutions well suited to the infrastructure sector, ranging from large transport hubs such as ports and air terminals to utilities and energy.

Aluminium performs extremely well, even in aggressive and marine environments, which brings functional and whole-life cost effectiveness.

Quality & Sustainability

In addition to complying with environmental legislation, Alumasc is committed to developing its own measures to limit the adverse effects of its activities on the environment. To this end, Alumasc operates an environmental policy that fully integrates all aspects of company activities.

Quality

ISO 9001: 2015

Alumasc operates a quality management system which is independently audited to ISO 9001: 2015. The ISO 9001 framework governs the management of many aspects of Alumasc support services, manufacturing and transport operations. Alumasc extends quality management to its network of approved installers for single source accountability and peace of mind.



Sustainability

Alumasc actively pursues sustainability in the full range of products it offers and, with its partners and its suppliers, is committed to putting consideration for the built and wider environment at the core of all aspects of current business and future development.



ISO 14001: 2015

Alumasc's manufacturing sites at St Helens, Merseyside and at Burton Latimer, Northamptonshire are audited to the ISO 14001:2015 Environmental Management Standard. Alumasc is committed to achieving improvements across all of its operating sites, not only as a good neighbour to the surroundings of manufacturing plants, but in the responsible sourcing of raw materials and monitoring of the impact on the environment as a whole.



BREEAM Standards

BREEAM points, as a framework for analysis and scoring, allow easy comparison of the relative merits of different construction types and also comparisons between different construction product groups. The BREEAM points system promotes the use of materials with a proven sustainable message and also allows designers to differentiate between products with true ecological credentials and those not achieving the benchmark.



Indicative ratings for building materials given in the BRE Green Guide to Specification also allows designers to choose those products or construction methods that will be most beneficial in contributing to a high BREEAM points score.



Aluminium rainwater goods and fascia soffit systems are part of the range of high scoring Alumasc solutions. Promotion of these responsibly sourced materials brings clarity to the specification process thus achieving the desired effect of minimising the environmental impact of the construction process.



Testing and Certification

Applicable Standards

BS EN 755

Aluminium and aluminium alloys - Extruded rod/ bar, tube and profiles.

BS EN 4851/1/2/4

Aluminium and aluminium alloys. Sheet, strip and plate.

BS EN 515

Aluminium and aluminium alloys. Wrought products.

BS EN 573

Aluminium and aluminium alloys. Chemical composition and form of wrought products
Chemical composition and form of products.

BS EN 1706:2010

Aluminium and aluminium alloys - Castings
- Chemical composition and mechanical properties.

BS EN 1559

Founding - Technical conditions of delivery.

BS EN 1462:2004

Brackets for eaves gutters - Requirements and testing.

BS EN 12206-1:2004

Paints and varnishes - Coating of aluminium and aluminium alloys for architectural purposes.

British Board of Agrément Certificate No. 86/1671

Alumasc Polyester Coated Aluminium Systems, for use as eaves guttering systems for conveying rainwater from roofs.

RIBA Assessed CPD Seminar

Aluminium Fascia, Soffit and Coping systems: Mitigating the risk - a Complete Guide to Design and Specification.

Aluminium-A Unique Material

Aluminium, with its unique properties, is the ideal material for creating high performance architectural roofing details of all designs and styles.

Alumasc is the UK's premier manufacturer of architectural aluminium products across a wide range of applications. These include rainwater systems, fascias and soffits, copings, window surrounds and many other bespoke manufactured products in aluminium which exploit the technology of this unique material in construction.



Innovative

Aluminium is a young material, but has become the world's second most used metal after steel. It is known as 'the magic metal' because of its unique physical, chemical and mechanical properties, which make it ideal for use in architectural applications.



Design Flexibility

Aluminium can be formed in various ways to fulfil different functional purposes and create different visual effects. This allows great scope in the formation of architectural details, with appearance ranging from traditional to crisp and clean modern.



Lightweight

The lightweight characteristics of aluminium fabrications make them economical and easy to transport. Consequently handling is easier and installation faster, with resultant cost effectiveness.



Ecological Benefits

Skyline Architectural Aluminium contains no toxic substances, and performs excellently when assessed from cradle to grave for effects on water quality (eutrophication) and water and ground contamination (ecotoxicity).



A 'Green Material'

To be deemed 'green', a material or product should be recyclable, sustainable and versatile. Aluminium has all these properties, and its production is strictly monitored for responsible sourcing of raw materials.

Historically, aluminium has proven to be one of the most important materials in successful recycling programmes. It has a high scrap value, widespread consumer acceptance, and enjoys significant industry support.

Most aluminium products are made from 100% recycled scrap. The recycling process does not result in any loss of the basic qualities and properties of constituent materials. Recycled aluminium offers significant energy benefits as remelting used aluminium requires only 5% of the energy needed to produce primary metal. As aluminium can be recycled indefinitely it need never be disposed of in landfill.



Life Expectancy

Skyline aluminium fabrications have a life expectancy in excess of 40 years in rural and suburban areas, and up to 25 years in industrial and/or marine conditions. This greatly enhances the product's cradle to grave embodied energy figure relative to systems with shorter life spans (e.g., plastic). This also results in the removal of the appreciable costs, both environmental and monetary, of product replacement.



Low Maintenance

In service, Skyline Architectural Aluminium is virtually maintenance free. Apart from routine cleaning for visual reasons and special consideration for coastal areas, aluminium does not require any maintenance, thereby providing a cost benefit over its lifetime.



Choice of Finish

Skyline Architectural Aluminium offers a huge range of visual choice. The material's natural protective coating of aluminium oxide gives a soft, natural finish, whilst an eye-catching choice of colours is available from Alumasc's BBA certificated Raincote range of powder coatings.

Colours

Colour can play a vital role in architecture, which makes Skyline Architectural Aluminium a trusted material of choice for architects and designers wishing to explore the full possibilities of colour and finish in modern building.

Following extensive research and development, Alumasc's in-house powder coating facility creates a perfect and consistent factory finish to all Skyline manufactured goods. Skyline solutions can make bold visual colour statements or blend sympathetically with other features of a building, creating design of individuality and quality that will stand the test of time.

Alumasc's Skyline products are available in plain mill finish or polyester powder coated from the BBA approved Raincote range.

Standard Colours

The standard aluminium RAL colour range includes a choice of 29 colours in smooth finish with some textured finishes also available. We can offer any additional BS or RAL colour to order, including anodic colours and stone effect finishes. Colours are produced with a 30% gloss unless otherwise stated.

RAL 1013M Pearl White Matt 	RAL 1035MET Pearl Beige Metallic 	RAL 3012M Beige Red Matt 	RAL 6005M Moss Green Matt 
RAL 7002M Olive Grey Matt 	RAL 7004M Signal Grey Matt 	RAL 7005M Mouse Grey Matt 	RAL 7006M Beige Grey Matt 
RAL 7012M Basalt Grey Matt* 	RAL 7015M Slate Grey Matt* 	RAL 7016M Anthracite Grey Matt* 	RAL 7021M Black Grey Matt 
RAL 7022M Umbra Grey Matt 	RAL 7024M Graphite Grey Matt 	RAL 7032M Pebble Grey Matt 	RAL 7035M Light Grey Matt 
RAL 7037M Dusty Grey Matt* 	RAL 7038M Agate Grey Matt 	RAL 7040M Window Grey Matt 	RAL 8014M Sepia Brown Matt 
RAL 8017M Chocolate Brown Matt 	RAL 8019M Grey Brown Matt 	RAL 9005M Jet Black Matt 	RAL 9006M Metallic Silver Matt 
RAL 9010M Pure White Matt 	RAL 9016M Traffic White Matt 	RAL 9016M/TXT White Matt Textured 	RAL 9017M Black Matt (60% Gloss) 
BLACK/TXT Black Textured 	Colours are reproduced for general guidance only. For exact colour and finish references, please contact Alumasc for colour swatch samples and for further information.		

*Also Available in a textured finish



“ We can match any BS or RAL colour of your choice, including anodic colours and stone effect finishes. ”



Quality Assurance

The standard aluminium RAL colour range includes a choice of 29 BBA approved colours. We have our own state-of-the-art powder coating plant in house.

Alumasc Service & Support

Alumasc is one of the UK's leading manufacturers of aluminium products for the construction industry. Our expertise in aluminium casting, extrusion and fabrication stems from a proven track record accumulated over 50 years, enabling us to provide unrivalled technical support for designers, specifiers and contractors. We lead the way in the field of construction product and system manufacture and the delivery of proven solutions.

Stockists & Installers

Alumasc products are readily available through independent and national distributors. Alumasc are experienced in working with main contractors and specialist installers with site support available throughout the project.

Support Services

Comprehensive information and advice for specification and use of Skyline products is available through Alumasc Technical Services department. This is backed by proactive support on a project-by-project basis, led by specialist Technical Area Managers.

Premium Products

A constantly evolving range of quality proven, world-class products and systems, that, where applicable, are accredited to UK and European Standards.



Design

Alumasc offers a choice of standard and bespoke aluminium solutions to the specifier. The Alumasc team is able to give advice on schemes from the earliest inception sketches to allow even the most elaborate concepts to be realised. Involvement at these primary stages ensures optimum performance from the chosen materials whilst keeping a tight check on feasibility and cost of the design.

Solutions

Fascias and soffits can be designed as stand alone or to house integrated rainwater management systems. Alumasc can carry out rainwater flow calculations as well as making certain that all imposed loadings are catered for. Alumasc's aluminium rainwater ranges include dry-joint extruded and wet-joint folded gutter profiles, which can be used in combination with various downpipes and roof edge treatments to fulfil different functional requirements (e.g., high security) and for different visual effects to suit the building context.

Performance

Skyline product solutions are designed to give optimum performance over their lifespan. In every aspect of material choice or detailing decision the aim is to produce premium, fit for purpose products and systems.

This ethos has resulted in Skyline being associated with innovative projects that have led the way in construction performance, stood the test of time and demonstrated good design.

Innovation

Ongoing research and development ensures that our offer comprises high quality, world class products and systems that meet UK and European standards.

As well as evolution of existing trusted products and systems, Alumasc's commitment to ongoing development and the promotion of best practice is reflected in our NPD focus and our market leading CPD programme, which keeps the industry abreast of new standards and product solutions.

Specification

In collaboration with NBS Source, Alumasc products are listed on the NBS library to allow architects and specifiers quick and easy access to the correct product specification and respective clauses. The below table lists applicable clauses for each of the Skyline product; some products fall into one or more category and will vary by application.

Typical clauses are listed below; for specific advice and guidance on specification clauses, please contact the Skyline technical team on 01536 383810.



Product Range	Classification	Uniclass		NBS Source	
		Uniclass Code	Title	CAWS Code	Title
Fascia & Soffit	Primary	Pr_35_90_28_02	Aluminium fascias	H72/420	Aluminium Cover flashings ⁽¹⁾
	Additional	Pr_65_50_35_02	Aluminium combined fascias, soffits and gutters	H72/32	Aluminium Cover flashings ⁽²⁾
		Pr_35_90_30_01	Aluminium flashings	R10/321	Combined Fascia, Soffit and Gutter ⁽¹⁾
		Ss_32_30_30_03	Aluminium flashing systems	R10/13	Combined Fascia, Soffit and Gutter ⁽²⁾
Coping	Primary	Pr_25_93_54_03	Aluminium coping units	H72/420	Aluminium Cover flashings ⁽¹⁾
	Additional	Pr_25_93_54_02	Aluminium capping units	H72/32	Aluminium Cover flashings ⁽²⁾
		Ss_32_30_90_04	Aluminium weathering systems	F30/80	Coping Units ⁽²⁾
				F30/760	Coping Units ⁽¹⁾
F30/780	Coping Systems ⁽¹⁾				
Window Surrounds	Primary	Pr_25_93_55_03	Aluminium sills	H72/470	Aluminium Miscellaneous flashings ⁽¹⁾
	Additional	Pr_20_65_78_58	Open sided shelters	H72/38	Aluminium Miscellaneous flashings ⁽²⁾
		Pr_35_90_30_01	Aluminium flashings		
Anti-Climb Barrier	Primary	Pr_35_90_28_04	Anti-climb security devices	H72/470	Aluminium Miscellaneous flashings ⁽¹⁾
	Additional	Pr_65_50_35_02	Aluminium combined fascias, soffits and gutters	H72/38	Aluminium Miscellaneous flashings ⁽²⁾
		Pr_65_52_61_04	Anti-climb pipe covers	R10/321	Combined Fascia, Soffit and Gutter ⁽¹⁾
				R10/13	Combined Fascia, Soffit and Gutter ⁽²⁾
Column Casing	Primary	Pr_35_90_43_66	Preformed casings	P20/170	Unframed isolated trims ⁽¹⁾
	Additional	Pr_25_71_14_16	Column casings	P20/30	Unframed isolated trims ⁽²⁾
Door Canopies	Primary	Pr_20_65_78_58	Open sided shelters	B91/330	Canopy ⁽¹⁾
	Additional	N/A	N/A	H72/470	Aluminium Miscellaneous flashings ⁽¹⁾
				H72/38	Aluminium Miscellaneous flashings ⁽²⁾
Architectural Planters	Primary	Ss_45_40_28_25	External planter systems	Q31/292	Prefabricated plant containers ⁽¹⁾
	Additional	Pr_45_63_63_04	Aluminium plant containers		
		Pr_45_63_63_02	Aluminium divided modular units		

Notes: (1) - Architecture, (2) - Small works

Manufacturer

Alumasc Water Management Solutions, Station Road, Burton Latimer, Kettering, Northants NN15 5JP 01536 383810. Email: info@alumascwms.co.uk

Product reference: Use product name and product code e.g. Skyline Coping System / SL30

Material/grade: 2mm and 3mm thick aluminium manufactured from 1050 AH 14

Size/Profile: Standard sizes and profiles or as indicated on Architects detailed designs

Finish/Colour: Polyester powder coated to BS EN 12206-1:2004 as per Architects requirements. Coating to have BBA certificate

Accessories: Corners, Angles, Closer pieces, as required to Architects design

Other requirements: Main structure and support carrier and fixation by others, contractor to site cut/trim as required and level and line through.

Method of jointing: Contractor to allow for thermal expansion leave 4mm gap within joint for this purpose, follow manufacturer installation guide on all jointing and fixing methods. Use touch up paint on all exposed edges and fixing heads.

Method of support/fixing: To be fixed in strict accordance with manufacturers installation guide. Installation to be carried out by an Alumasc recommended installer (list of recommended installers available on request).



Fascias

Skyline Architectural Aluminium Fascias are available in two ranges.

Skyline Standard Fascias comprise readily available profiles and associated components for high quality and cost effective roof edge detailing. The Standard range gives designers great flexibility in new build and refurbishment projects alike, providing the means to create visually attractive and practical fascia solutions suited to an enormous number of potential applications in buildings across all sectors.

Also available are *Skyline Designer Fascias* based around four profile shapes: aerofoil, bullnose, chisel and profiled box. These profiles are manufactured to order in accordance with the architect's design brief. Skyline Designer Fascias are particularly suited where the requirement is for distinctive and ambitious roofline schemes.

Applications

- Standard Fascias for new build designs utilising standard components
- Often combined with standard soffit plank system
- Designer Fascias for more distinctive and individualistic project solutions
- Compatible with Alumasc Rainwater Systems
- Linear components joined by internal brackets, avoiding stepped joints
- Fabricated fittings are mitred, welded and have a smooth uniform finish

Features & Performance

- Standard Fascia components are lightweight, durable and corrosion resistant
- Designer Fascias are fully bespoke, also lightweight, durable and corrosion resistant
- Entirely weatherproof
- Minimal maintenance required
- Life expectancy of aluminium: 40 years (rural/suburban areas); up to 25 years (industrial/marine areas)
- Aluminium is 100% recyclable
- Easy to handle

Manufacture

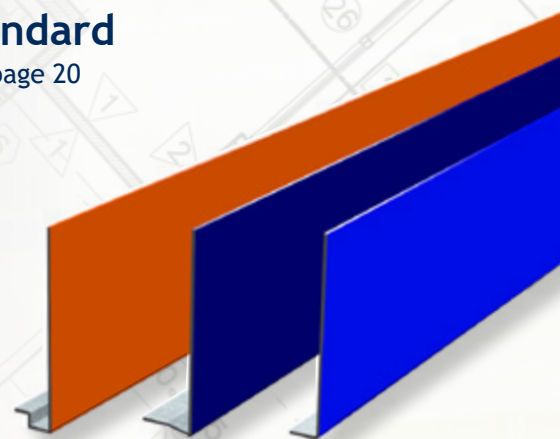
- Manufactured entirely in the UK

Standard

See page 20

Colours & Finishes

- BBA approved polyester powder coatings in 26 factory applied colours from our in-house powder coating facility
- Polyester powder coated finishes are effective in extending the life of architectural aluminium on buildings
- Any BS or RAL colour available to order

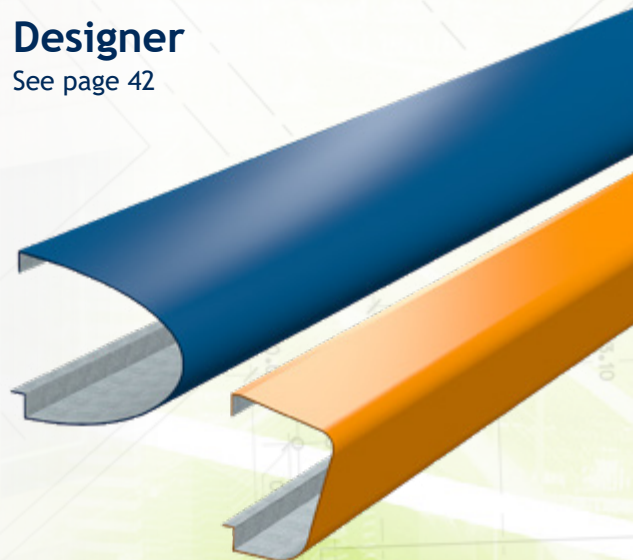


Installation & Fixing

- Standard range and Designer range fabrications/components delivered to site in pre-designed kit form
- Comprehensive installation guides are available across all the Skyline product ranges. The Skyline technical team can help with advice on installation with on-site support also available
- Installation of fascia can typically be carried out by a competent tradesperson

Designer

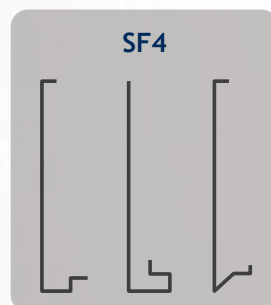
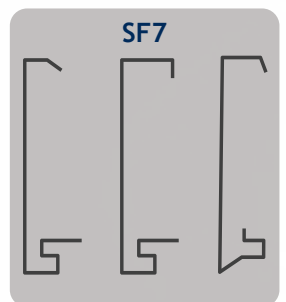
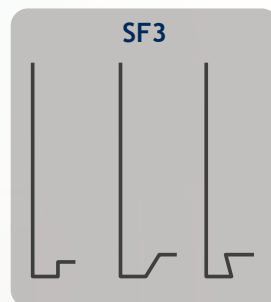
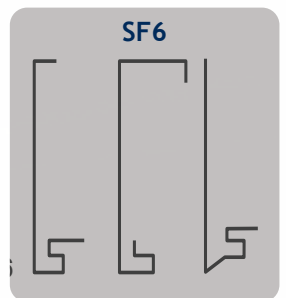
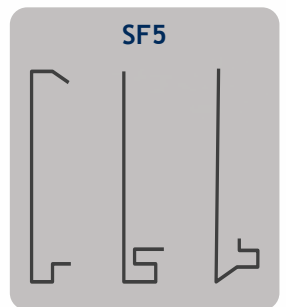
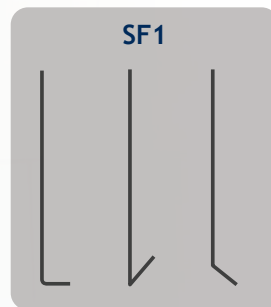
See page 42



Range Overview



Typical Profiles



Skyline Architectural Aluminum Fascias are supplied as readily available standard profiles, with associated components for high quality and cost effective roof edge detailing.

The standard range gives designers great flexibility to create appealing and effective fascia solutions in new build and refurbishment projects alike, providing the means to create visually attractive and practical options suited to an enormous number of potential applications in buildings across all sectors.

Standard Profiles

Skyline Standard Profiles SF1 to SAFE02 comprise an extensive core range in standard lengths of 3m and available in sizes from 100mm to 1000mm. This standard range of profiles is ideal for many typical fascia applications, offering a solution that is high quality and cost effective.

For more ambitious and individualistic fascia schemes, we have developed the Skyline Designer Fascias concept (see pages 42-51).

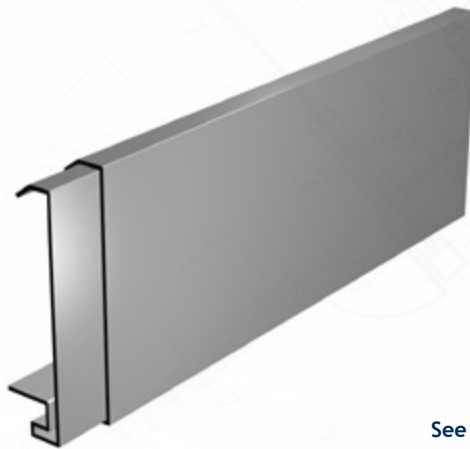
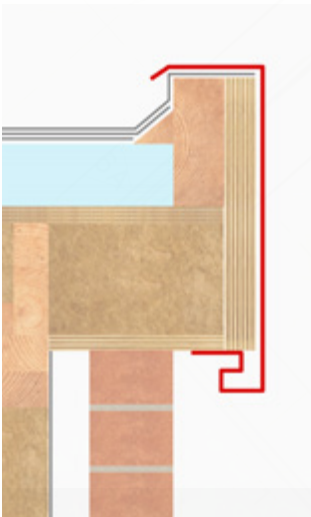
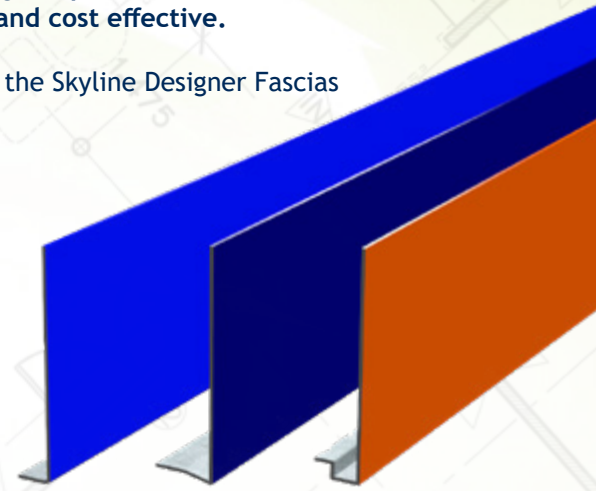


See page:

SF1
p22

SF2
p24

SF3
p26



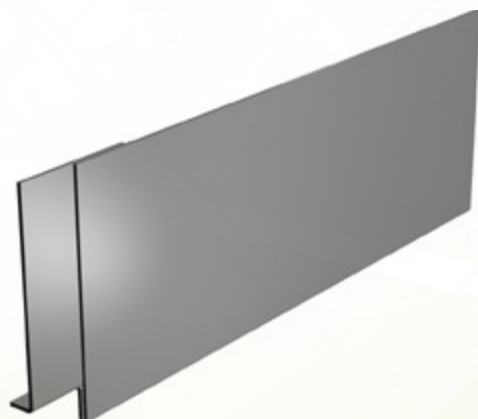
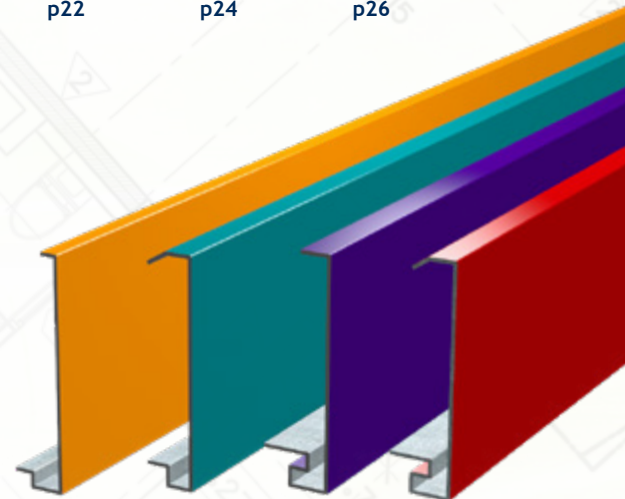
See page:

SF4
p28

SF5
p30

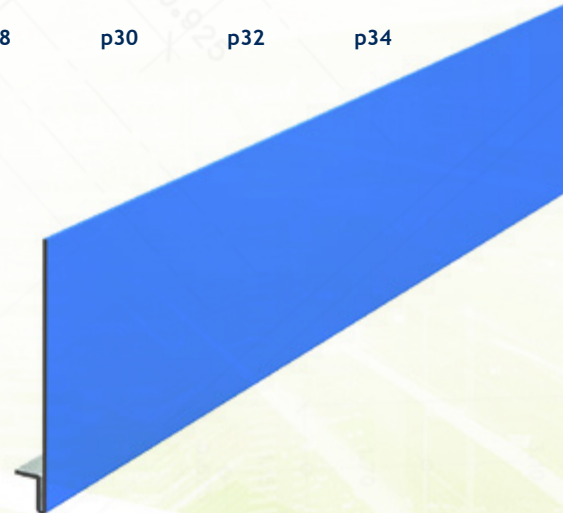
SF6
p32

SF7
p34

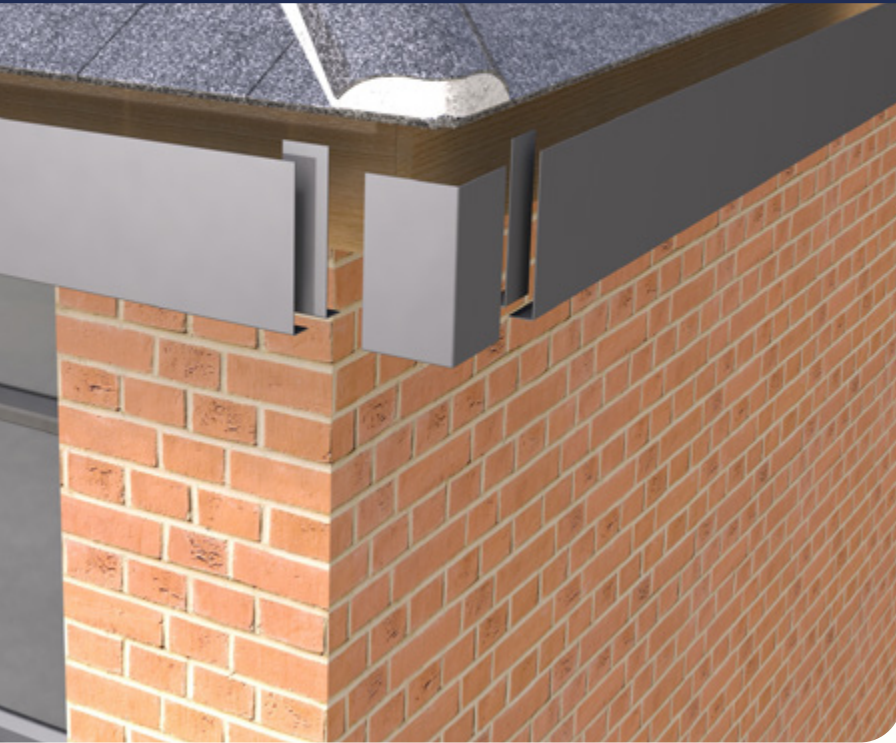


See page:

SAFE02
p36



SF1 - 1x Bent Aluminium Fascia



SF1 Fascia profile is a 1x bent 2mm aluminium sheet profile, typical profiles as shown and made to customer specification.

The standard range of components comprises 3m lengths, corners, stopends, raking angles and gable box ends. In addition to the standard range, bespoke fabrication is also available for awkward site detailing, such as radiuses and transition pieces.

How to choose your fascia size:

1. Determine the girth of the fascia by measuring dimension A-B
2. Using the dimension table, select the corresponding girth size and order code prefix

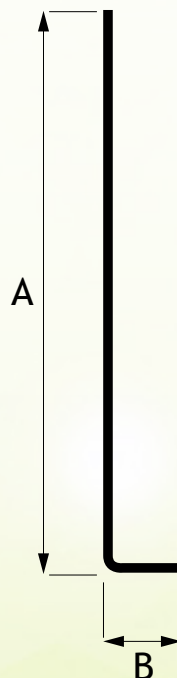
Example:
If A = 140mm and B = 20mm then girth = 160mm
Therefore choose 0-200mm girth = SF1/200 code prefix

Example

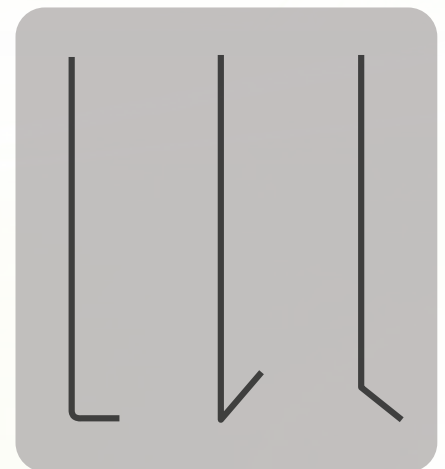
Girth (mm)	Code Prefix
0-200	SF1/200
201-300	SF1/300
301-400	SF1/400

To order, simply use the prefix code together with the required component suffix code on page 23.

Example: 90° external corner = SF1/200/EA90PPC



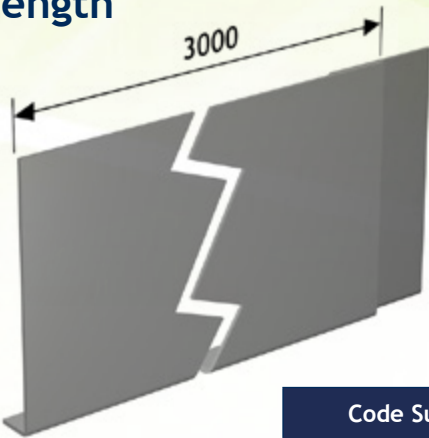
Typical SF1 Profiles



Dimension Table

Girth (mm)	Code Prefix
0-200	SF1/200
201-300	SF1/300
301-400	SF1/400
401-500	SF1/500
501-600	SF1/600
601-700	SF1/700
701-800	SF1/800
801-900	SF1/900
901-1000	SF1/1000

3m Length



Code Suffix

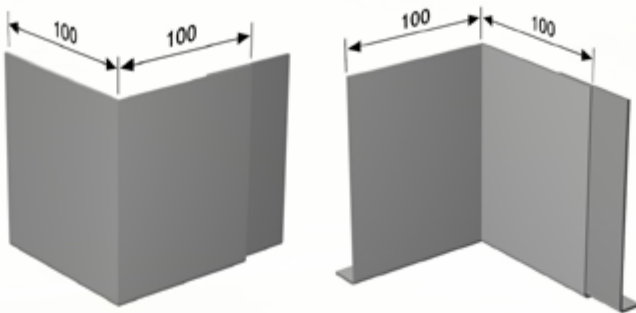
/3MPPC

Product notes



- Order using the prefix code from page 22 together with the item suffix code – for example, SF1/200/3MPPC
- When ordering please specify RAL colour (see page 14)
- 3m lengths supplied complete with loose union
- All fittings supplied complete with loose union
- Additional loose union available to order using code: /UCPPC

Corners



Code Suffix

External

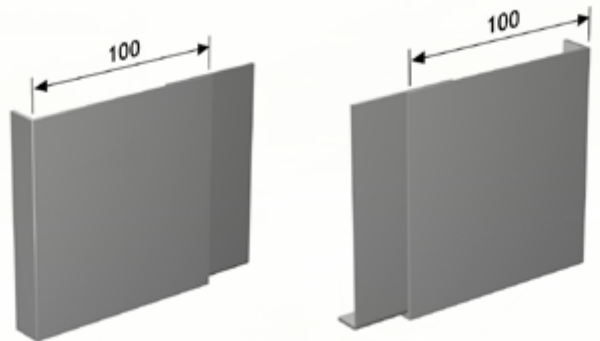
Internal

/90EPPC

/90IPPC

Note: For non 90° corners use code suffix /EXTPPC for External /INTPPC for internal

Stop Ends



Code Suffix

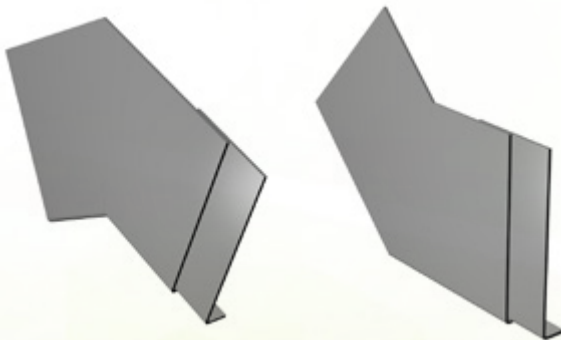
Left Hand

Right Hand

/LHSEPPC

/RHSEPPC

Apex / Raking Angle

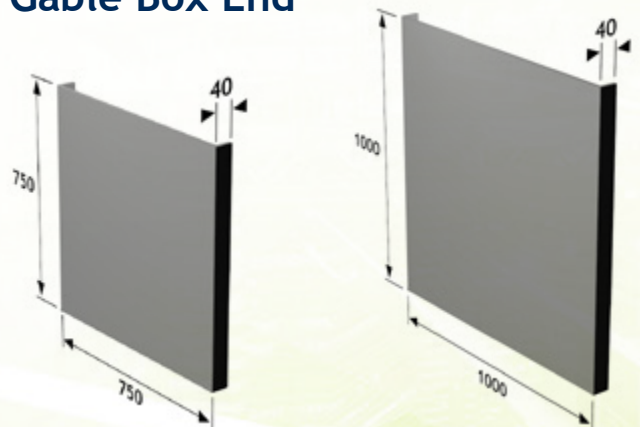


Code Suffix

Made to customer specification

/APAPPC

Gable Box End



Product Code

750 x 750

1000 x 1000

SF/GBE/75PPC

SF/GBE/100PPC

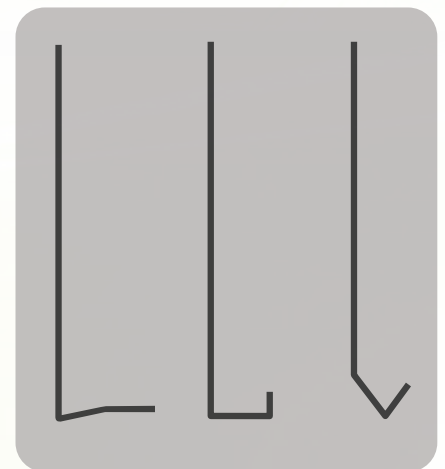
SF2 - 2x Bent Aluminium Fascia



SF2 Fascia profile is a 2x bent 2mm Aluminium sheet profile, typical profiles as shown and made to customer specification.

The standard range of components comprises 3m lengths, corners, stopends, raking angles & gable box ends. In addition to the standard range, bespoke fabrication is also available for awkward site detailing, such as radiuses and transition pieces.

Typical SF2 Profiles



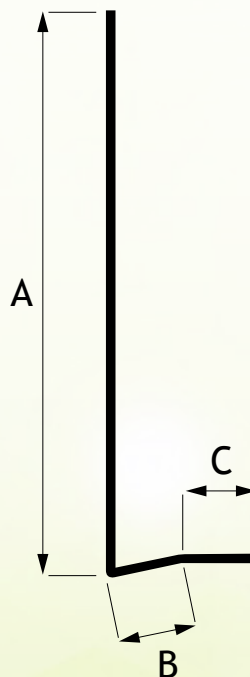
How to choose your Fascia size:

1. Determine the girth of the fascia by measuring dimension A-C
2. Using the Dimension table, select the corresponding girth size and order code prefix

Example:
If A = 140mm, B = 20mm, C = 25mm then girth = 185mm
Therefore choose 0-200mm girth = SF2/200 code prefix

Example

Girth (mm)	Code Prefix
0-200	SF2/200
201-300	SF2/300
301-400	SF2/400



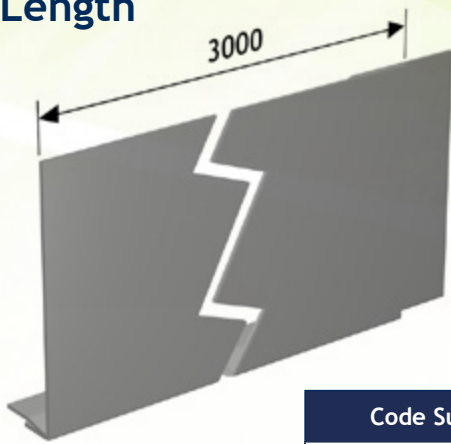
Dimension Table

Girth (mm)	Code Prefix
0-200	SF2/200
201-300	SF2/300
301-400	SF2/400
401-500	SF2/500
501-600	SF2/600
601-700	SF2/700
701-800	SF2/800
801-900	SF2/900
901-1000	SF2/1000

To order, simply use the prefix code together with the required component suffix code on page 25.

Example: 90° External Corner = SF2/200/EA90PPC

3m Length



Code Suffix

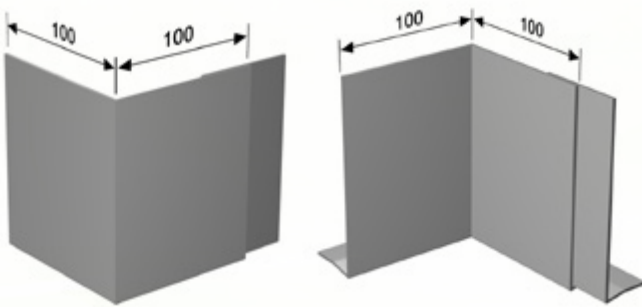
/3MPPC

Product notes



- Order using the prefix code from Page 24 together with the item suffix code – for example, SF2/200/3MPPC
- When ordering please specify RAL colour (see page 14)
- 3m lengths supplied complete with loose union
- All fittings supplied complete with loose union
- Additional loose union available to order using code: /UCPPC.

Corners

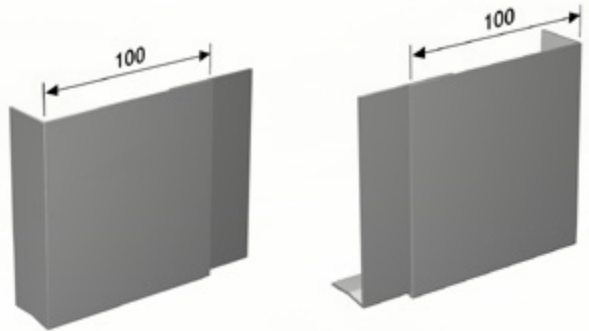


Code Suffix

External	Internal
/90EPPC	/90IPPC

Note: For non 90° corners use code suffix /EXTPPC for External /INTPPC for internal

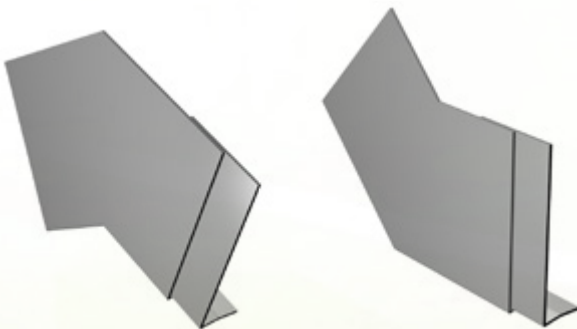
Stop Ends



Code Suffix

Left Hand	Right Hand
/LHSEPPC	/RHSEPPC

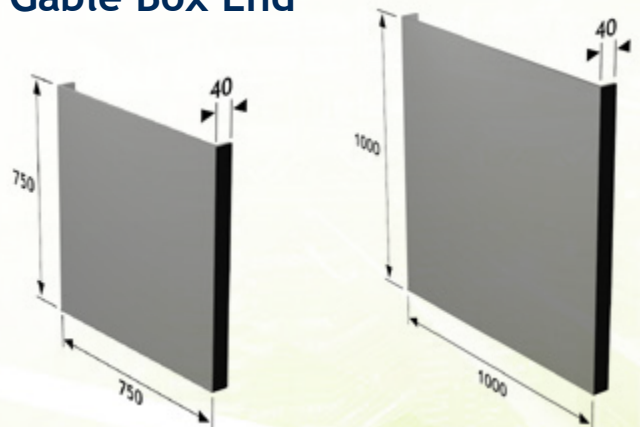
Apex / Raking Angle



Code Suffix

Made to customer specification
/APAPPC

Gable Box End



Product Code

750 x 750	1000 x 1000
SF/GBE/75PPC	SF/GBE/100PPC

SF3 - 3x Bent Aluminium Fascia



SF3 Fascia profile is a 3x bent 2mm Aluminium sheet profile, typical profiles as shown and made to customer specification.

The standard range of components comprises 3m lengths, corners, stopends, raking angles & gable box ends. In addition to the standard range, bespoke fabrication is also available for awkward site detailing, such as radiuses and transition pieces.

How to choose your Fascia size:

1. Determine the girth of the fascia by measuring dimension A-D
2. Using the Dimension table, select the corresponding girth size and order code prefix

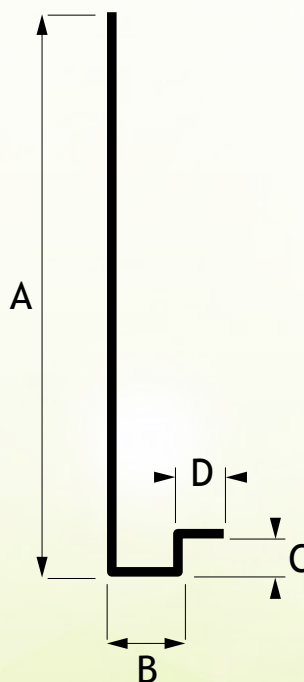
Example:
If A = 140mm, B = 20mm, C = 15mm, D = 20mm then girth = 195mm
Therefore choose 0-200mm girth = SF3/200 code prefix

Example

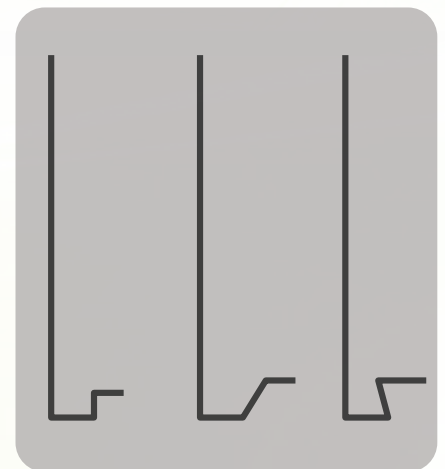
Girth (mm)	Code Prefix
0-200	SF3/200
201-300	SF3/300
301-400	SF3/400

To order, simply use the prefix code together with the required component suffix code on page 27.

Example: 90° External Corner = SF3/200/EA90PPC



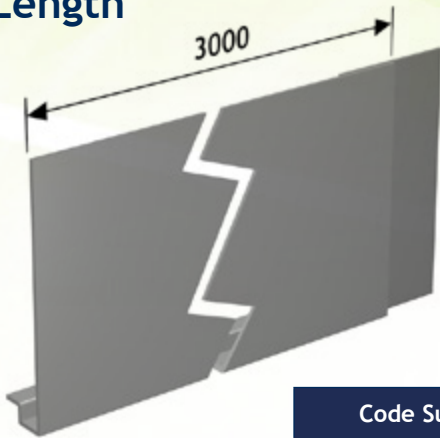
Typical SF3 Profiles



Dimension Table

Girth (mm)	Code Prefix
0-200	SF3/200
201-300	SF3/300
301-400	SF3/400
401-500	SF3/500
501-600	SF3/600
601-700	SF3/700
701-800	SF3/800
801-900	SF3/900
901-1000	SF3/1000

3m Length



Code Suffix

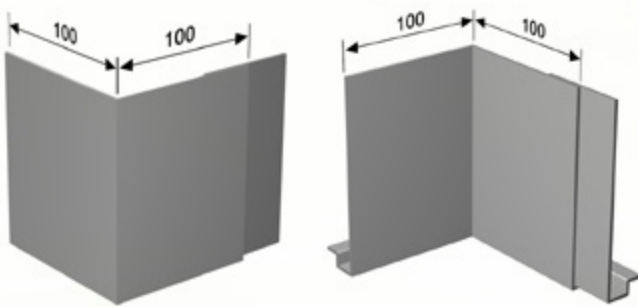
/3MPPC

Product notes



- Order using the prefix code from Page 26 together with the item suffix code – for example, SF3/200/3MPPC
- When ordering please specify RAL colour (see page 14)
- 3m lengths supplied complete with loose union
- All fittings supplied complete with loose union
- Additional loose union available to order using code: /UCPPC.

Corners



Code Suffix

External

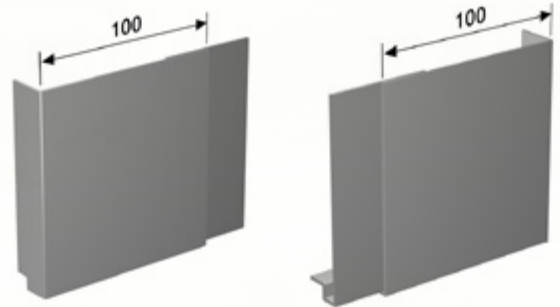
Internal

/90EPPC

/90IPPC

Note: For non 90° corners use code suffix /EXTPPC for External /INTPPC for internal

Stop Ends



Code Suffix

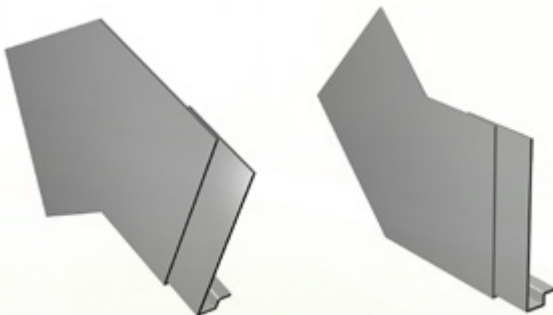
Left Hand

Right Hand

/LHSEPPC

/RHSEPPC

Apex / Raking Angle

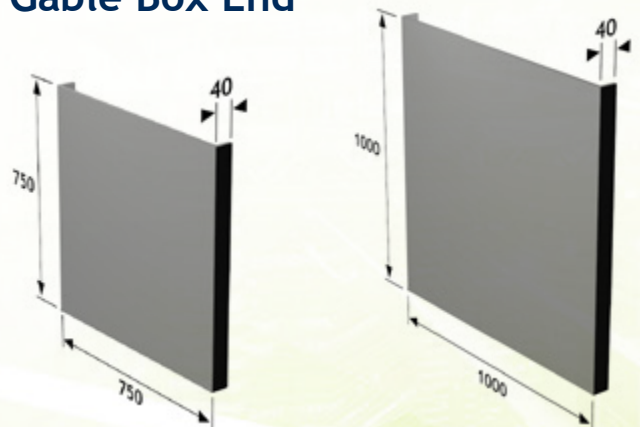


Code Suffix

Made to customer specification

/APAPPC

Gable Box End



Product Code

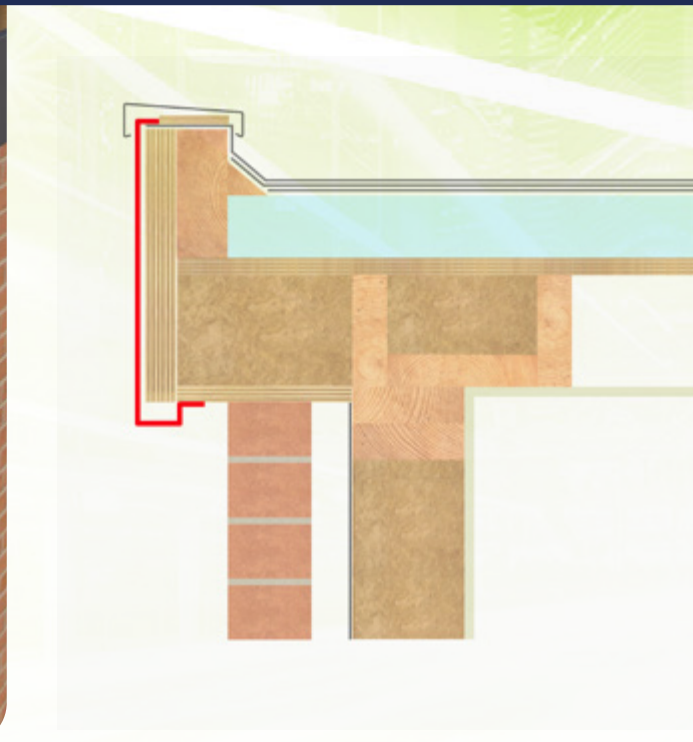
750 x 750

1000 x 1000

SF/GBE/75PPC

SF/GBE/100PPC

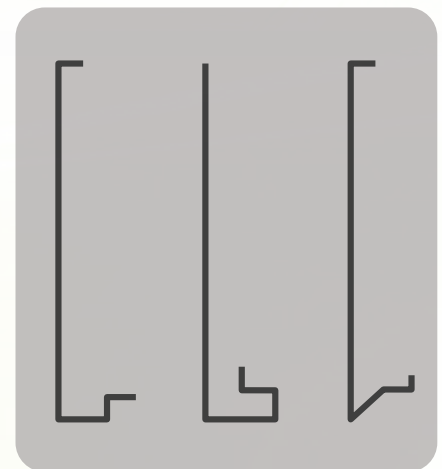
SF4 - 4x Bent Aluminium Fascia



SF4 Fascia profile is a 4x bent 2mm Aluminium sheet profile, typical profiles as shown and made to customer specification.

The standard range of components comprises 3m lengths, corners, stopends, raking angles & gable box ends. In addition to the standard range, bespoke fabrication is also available for awkward site detailing, such as radiuses and transition pieces.

Typical SF4 Profiles



How to choose your Fascia size:

1. Determine the girth of the fascia by measuring dimension A-E
2. Using the Dimension table, select the corresponding girth size and order code prefix

Example:

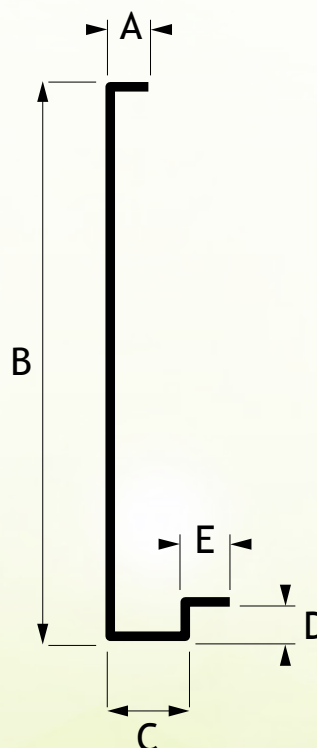
If A = 20mm, B = 140mm, C = 25mm, D = 20mm, E = 20mm
then girth = 225mm
Therefore choose 201-300mm girth = SF4/300 code prefix

Example

Girth (mm)	Code Prefix
0-200	SF4/200
201-300	SF4/300
301-400	SF4/400

To order, simply use the prefix code together with the required component suffix code on page 29.

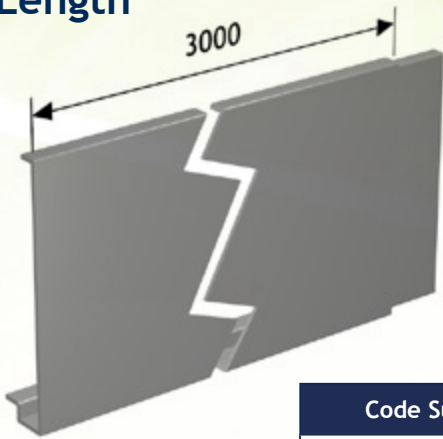
Example: 90° External Corner = SF4/300/EA90PPC



Dimension Table

Girth (mm)	Code Prefix
0-200	SF4/200
201-300	SF4/300
301-400	SF4/400
401-500	SF4/500
501-600	SF4/600
601-700	SF4/700
701-800	SF4/800
801-900	SF4/900
901-1000	SF4/1000

3m Length



Code Suffix

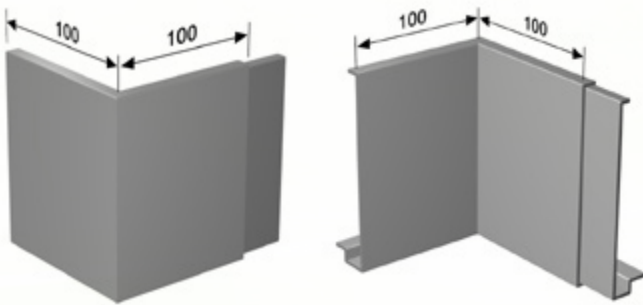
/3MPPC

Product notes



- Order using the prefix code from Page 28 together with the item suffix code – for example, SF4/200/3MPPC
- When ordering please specify RAL colour (see page 14)
- 3m lengths supplied complete with loose union
- All fittings supplied complete with loose union
- Additional loose union available to order using code: /UCPPC.

Corners



Code Suffix

External

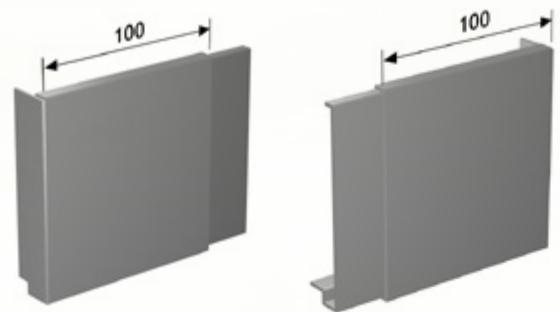
Internal

/90EPPC

/90IPPC

Note: For non 90° corners use code suffix /EXTPPC for External /INTPPC for internal

Stop Ends



Code Suffix

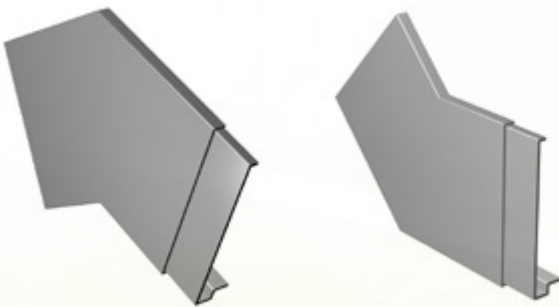
Left Hand

Right Hand

/LHSEPPC

/RHSEPPC

Apex / Raking Angle



Code Suffix

Made to customer specification

/APAPPC

Gable Box End



Product Code

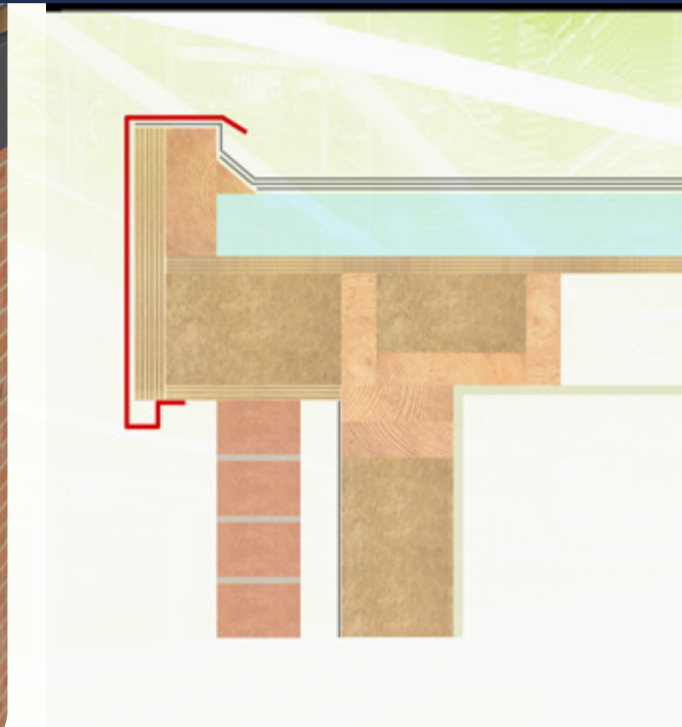
750 x 750

1000 x 1000

SF/GBE/75PPC

SF/GBE/100PPC

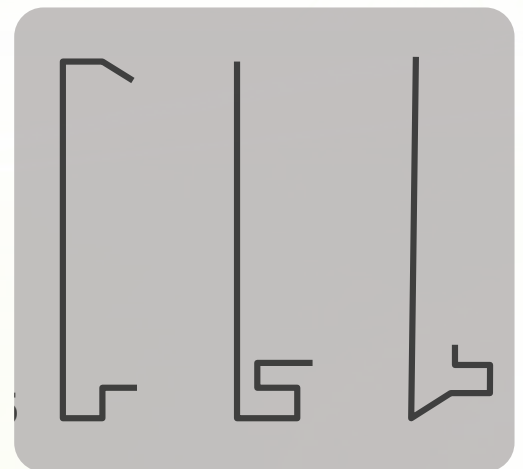
SF5 - 5x Bent Aluminium Fascia



SF5 Fascia profile is a 5x bent 2mm Aluminium sheet profile, typical profiles as shown and made to customer specification.

The standard range of components comprises 3m lengths, corners, stopends, raking angles & gable box ends. In addition to the standard range, bespoke fabrication is also available for awkward site detailing, such as radiuses and transition pieces.

Typical SF5 Profiles



How to choose your Fascia size:

1. Determine the girth of the fascia by measuring dimension A-F
2. Using the Dimension table, select the corresponding girth size and order code prefix

Example:

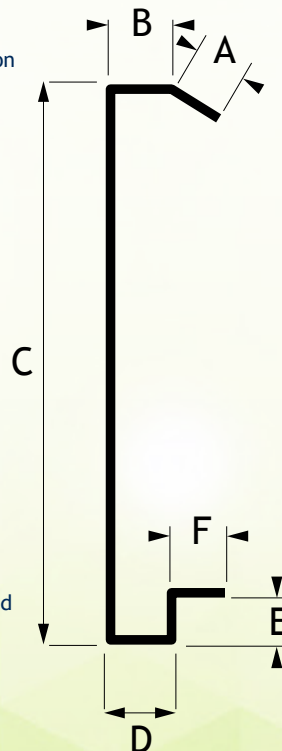
If A = 30mm, B = 20mm, C = 150mm, D = 20mm, E = 20mm, F = 25mm then girth = 265mm
Therefore choose 201-300mm girth = SF5/300 code prefix

Example

Girth (mm)	Code Prefix
0-200	SF5/200
201-300	SF5/300
301-400	SF5/400

To order, simply use the prefix code together with the required component suffix code on page 31.

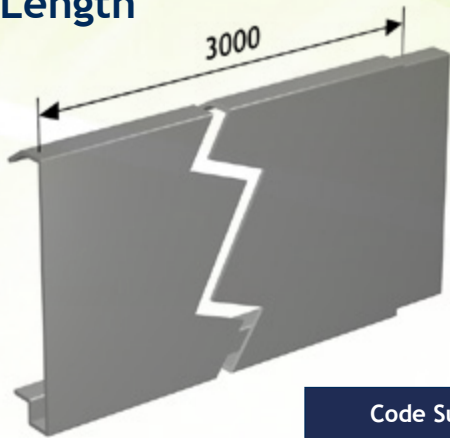
Example: 90° External Corner = SF5/300/EA90PPC



Dimension Table

Girth (mm)	Code Prefix
0-200	SF5/200
201-300	SF5/300
301-400	SF5/400
401-500	SF5/500
501-600	SF5/600
601-700	SF5/700
701-800	SF5/800
801-900	SF5/900
901-1000	SF5/1000

3m Length



Code Suffix

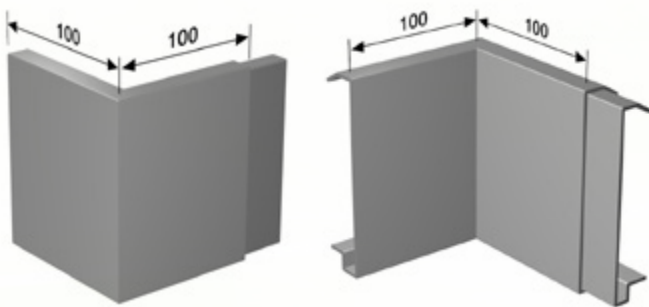
/3MPPC

Product notes



- Order using the prefix code from Page 30 together with the item suffix code – for example, SF5/200/3MPPC
- When ordering please specify RAL colour (see page 14)
- 3m lengths supplied complete with loose union
- All fittings supplied complete with loose union
- Additional loose union available to order using code: /UCPPC.

Corners



Code Suffix

External

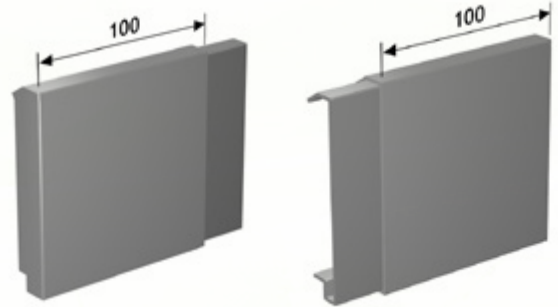
Internal

/90EPPC

/90IPPC

Note: For non 90° corners use code suffix /EXTPPC for External /INTPPC for internal

Stop Ends



Code Suffix

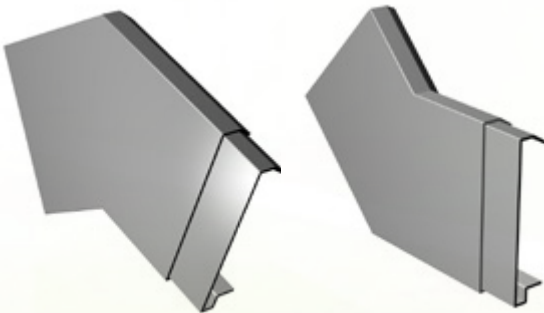
Left Hand

Right Hand

/LHSEPPC

/RHSEPPC

Apex / Raking Angle

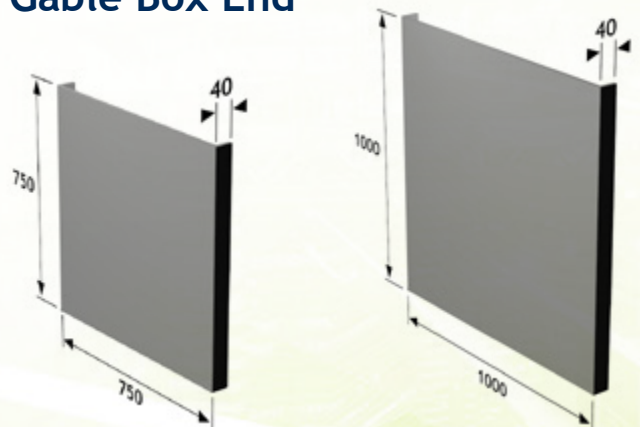


Code Suffix

Made to customer specification

/APAPPC

Gable Box End



Product Code

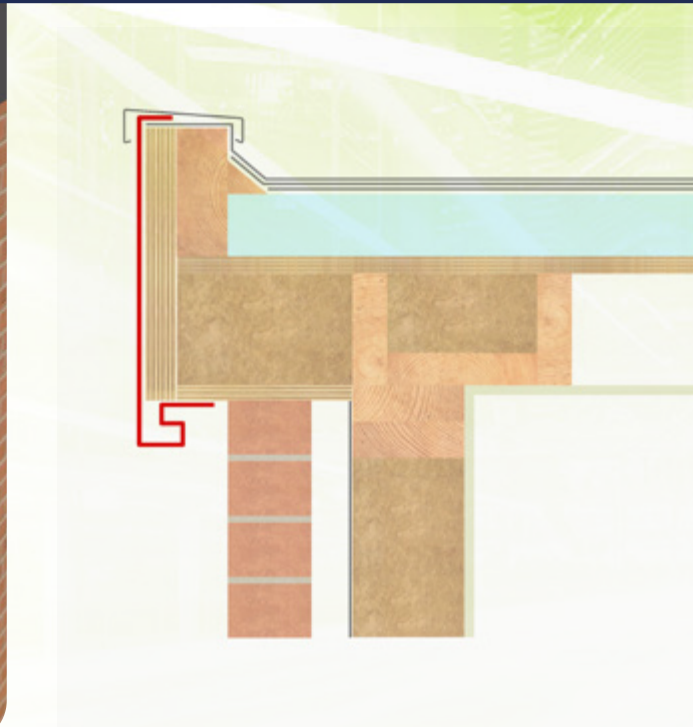
750 x 750

1000 x 1000

SF/GBE/75PPC

SF/GBE/100PPC

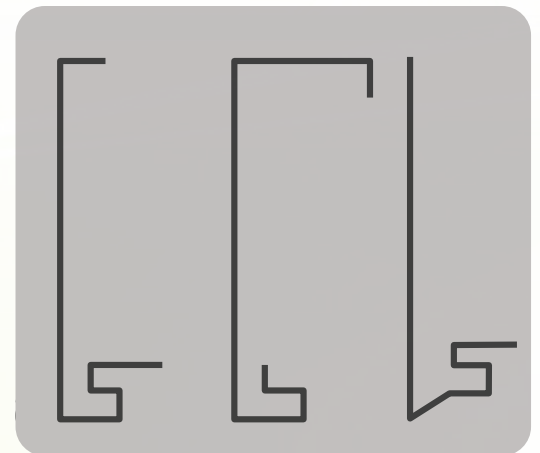
SF6 - 6x Bent Aluminium Fascia



SF6 Fascia profile is a 6x bent 2mm Aluminium sheet profile, typical profiles as shown and made to customer specification.

The standard range of components comprises 3m lengths, corners, stopends, raking angles & gable box ends. In addition to the standard range, bespoke fabrication is also available for awkward site detailing, such as radiuses and transition pieces.

Typical SF6 Profiles



How to choose your Fascia size:

1. Determine the girth of the fascia by measuring dimension A-G
2. Using the Dimension table, select the corresponding girth size and order code prefix

Example:

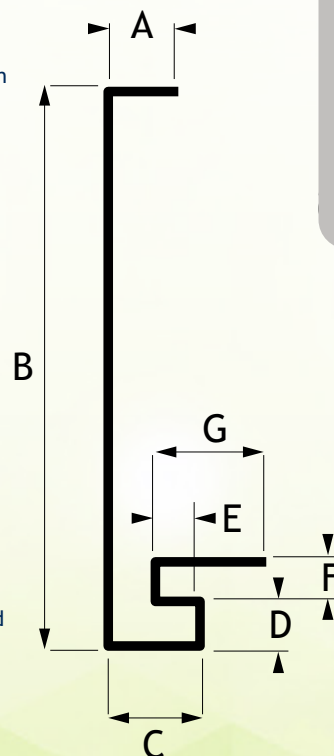
If A = 20mm, B = 150mm, C = 30mm, D = 20mm, E = 15mm, F = 15mm, G = 40mm then girth = 290mm
Therefore choose 201-300mm girth = SF6/300 code prefix

Example

Girth (mm)	Code Prefix
0-200	SF6/200
201-300	SF6/300
301-400	SF6/400

To order, simply use the prefix code together with the required component suffix code on page 33.

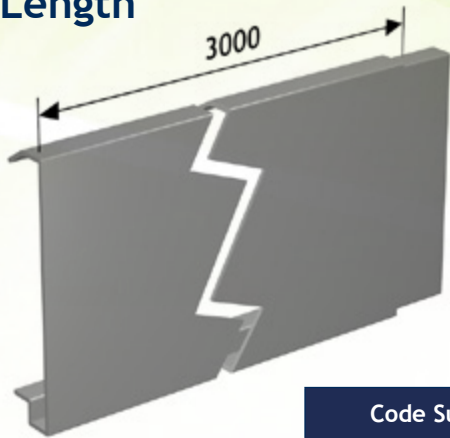
Example: 90° External Corner = SF6/300/EA90PPC



Dimension Table

Girth (mm)	Code Prefix
0-200	SF6/200
201-300	SF6/300
301-400	SF6/400
401-500	SF6/500
501-600	SF6/600
601-700	SF6/700
701-800	SF6/800
801-900	SF6/900
901-1000	SF6/1000

3m Length



Code Suffix

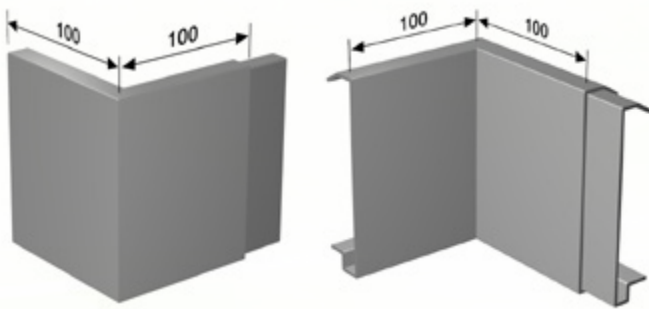
/3MPPC

Product notes



- Order using the prefix code from Page 32 together with the item suffix code – for example, SF6/200/3MPPC
- When ordering please specify RAL colour (see page 14)
- 3m lengths supplied complete with loose union
- All fittings supplied complete with loose union
- Additional loose union available to order using code: /UCPPC.

Corners



Code Suffix

External

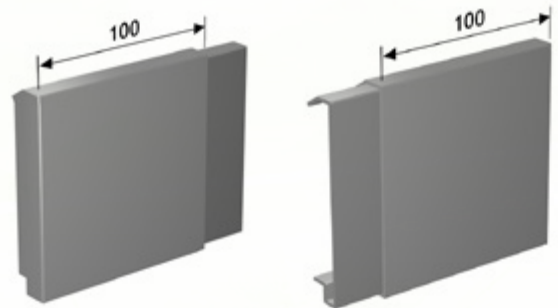
Internal

/90EPPC

/90IPPC

Note: For non 90° corners use code suffix /EXTPPC for External /INTPPC for internal

Stop Ends



Code Suffix

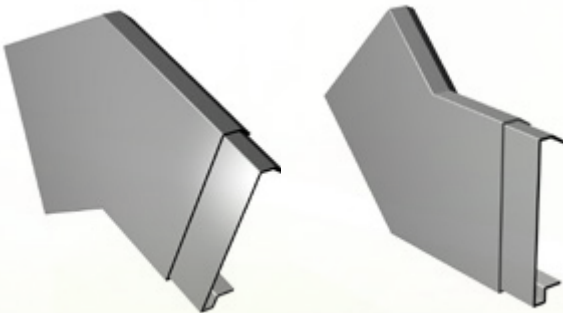
Left Hand

Right Hand

/LHSEPPC

/RHSEPPC

Apex / Raking Angle

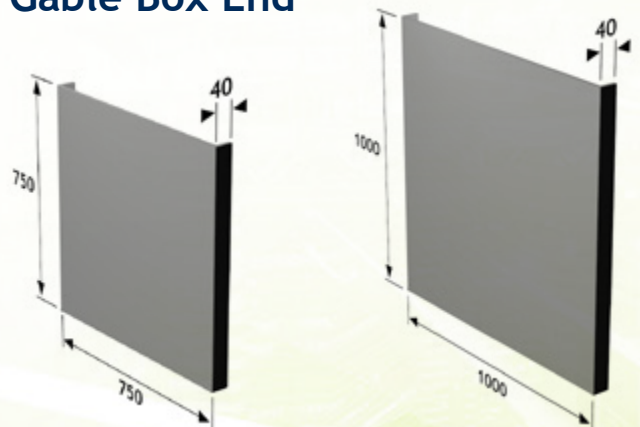


Code Suffix

Made to customer specification

/APAPPC

Gable Box End



Product Code

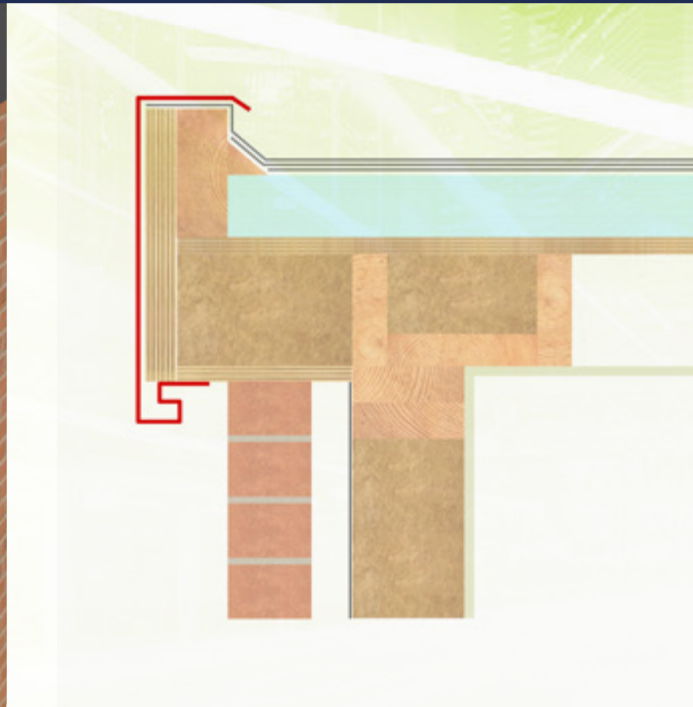
750 x 750

1000 x 1000

SF/GBE/75PPC

SF/GBE/100PPC

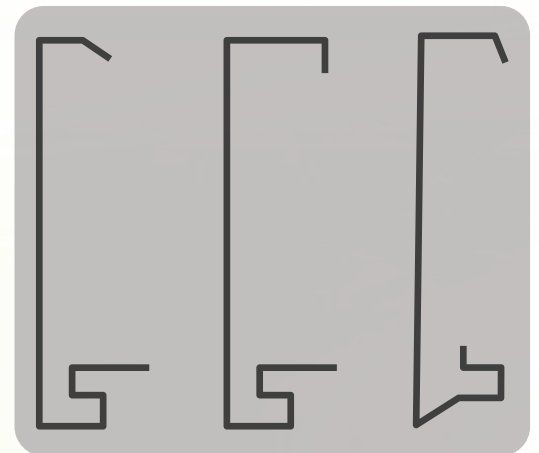
SF7 - 7x Bent Aluminium Fascia



SF7 Fascia profile is a 7x bent 2mm Aluminium sheet profile, typical profiles as shown and made to customer specification.

The standard range of components comprises 3m lengths, corners, stopends, raking angles & gable box ends. In addition to the standard range, bespoke fabrication is also available for awkward site detailing, such as radiuses and transition pieces.

Typical SF7 Profiles



How to choose your Fascia size:

1. Determine the girth of the fascia by measuring dimension A-H
2. Using the Dimension table, select the corresponding girth size and order code prefix

Example:

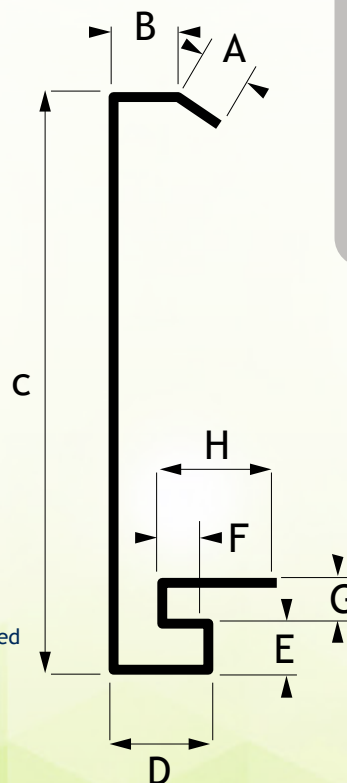
If A = 20mm, B = 30mm, C = 150mm, D = 40mm, E = 20mm, F = 15mm, G = 15mm, H = 40mm then girth = 330mm
Therefore choose 301-400mm girth = SF7/400 code prefix

Example

Girth (mm)	Code Prefix
0-200	SF7/200
201-300	SF7/300
301-400	SF7/400

To order, simply use the prefix code together with the required component suffix code on page 35.

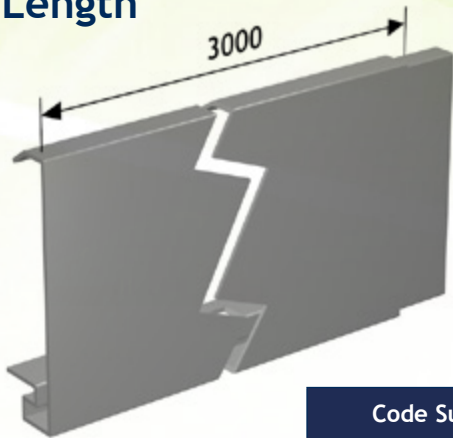
Example: 90° External Corner = SF7/400/EA90PPC



Dimension Table

Girth (mm)	Code Prefix
0-200	SF7/200
201-300	SF7/300
301-400	SF7/400
401-500	SF7/500
501-600	SF7/600
601-700	SF7/700
701-800	SF7/800
801-900	SF7/900
901-1000	SF7/1000

3m Length



Code Suffix

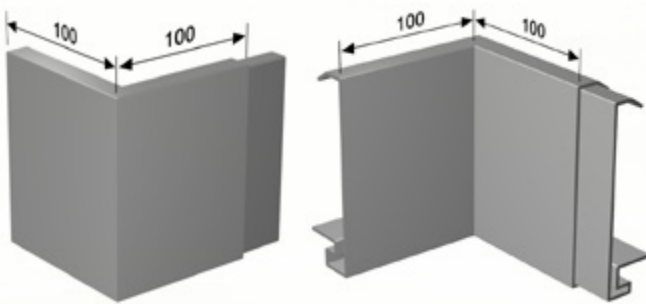
/3MPPC

Product notes



- Order using the prefix code from Page 34 together with the item suffix code – for example, SF7/200/3MPPC
- When ordering please specify RAL colour (see page 14)
- 3m lengths supplied complete with loose union
- All fittings supplied complete with loose union
- Additional loose union available to order using code: /UCPPC.

Corners



Code Suffix

External

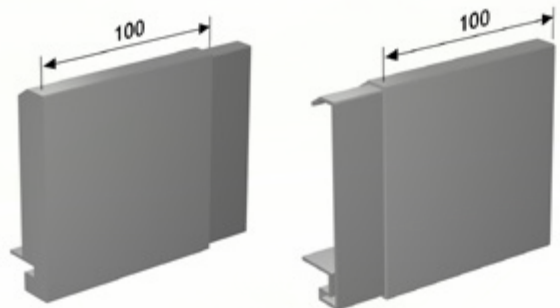
Internal

/90EPPC

/90IPPC

Note: For non 90° corners use code suffix /EXTPPC for External /INTPPC for internal

Stop Ends



Code Suffix

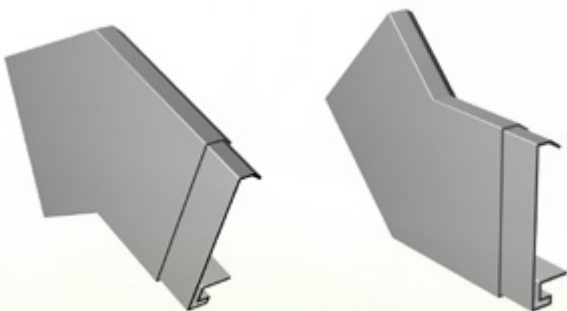
Left Hand

Right Hand

/LHSEPPC

/RHSEPPC

Apex / Raking Angle

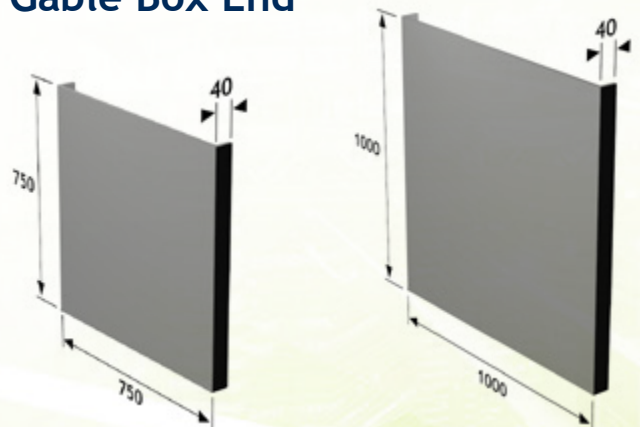


Code Suffix

Made to customer specification

/APAPPC

Gable Box End



Product Code

750 x 750

1000 x 1000

SF/GBE/75PPC

SF/GBE/100PPC

SAFE02 - Safe Edge Aluminium Fascia



SAFE02 Safe Edge Fascia profile is a 2x bent 2mm Aluminium sheet that provides a rounded edge to the base of the fascia. Made to customer specification.

The standard range of components comprises 3m lengths, corners, stopends, raking angles & gable box ends. In addition to the standard range, bespoke fabrication is also available for awkward site detailing, such as radiuses and transition pieces.

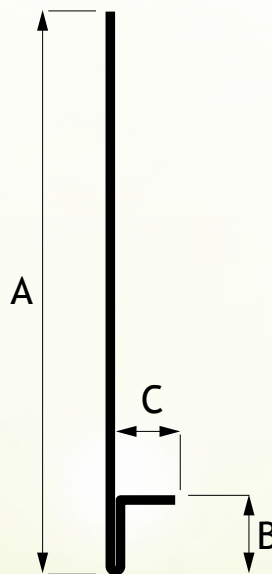
How to choose your Fascia size:

1. Determine the girth of the fascia by measuring dimension A-C
2. Using the Dimension table, select the corresponding girth size and order code prefix

Example:
If A = 140mm, B = 20mm, C = 20mm then girth = 180mm
Therefore choose 0-200mm girth = SAFE02/200 code prefix

Example

Girth (mm)	Code Prefix
0-200	SAFE02/200
201-300	SAFE02/300
301-400	SAFE02/400



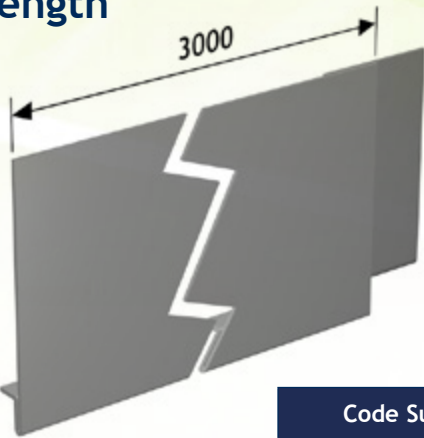
Dimension Table

Girth (mm)	Code Prefix
0-200	SAFE02/200
201-300	SAFE02/300
301-400	SAFE02/400
401-500	SAFE02/500
501-600	SAFE02/600
601-700	SAFE02/700
701-800	SAFE02/800
801-900	SAFE02/900
901-1000	SAFE02/1000

To order, simply use the prefix code together with the required component suffix code on page 37.

Example: 90° External Corner = SAFE0/200/EA90PPC

3m Length



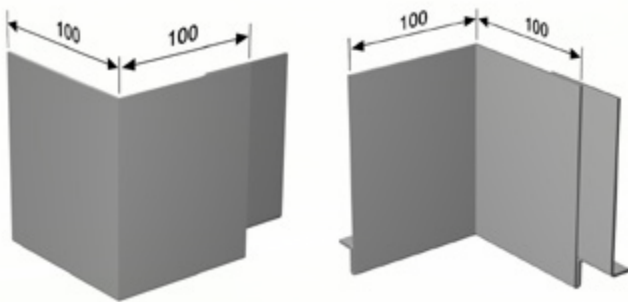
Code Suffix
/3MPPC

Product notes



- Order using the prefix code from Page 36 together with the item suffix code – for example, SAFE02/200/3MPPC
- When ordering please specify RAL colour (see page 14)
- 3m lengths supplied complete with loose union
- All fittings supplied complete with loose union
- Additional loose union available to order using code: /UCPPC.

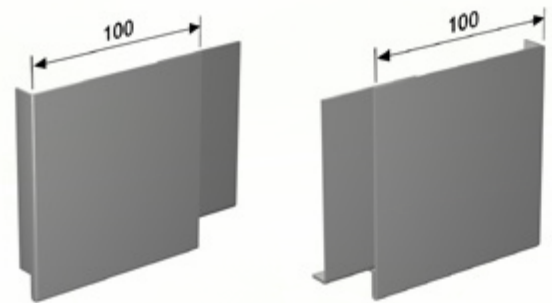
Corners



Code Suffix	
External	Internal
/90EPPC	/90IPPC

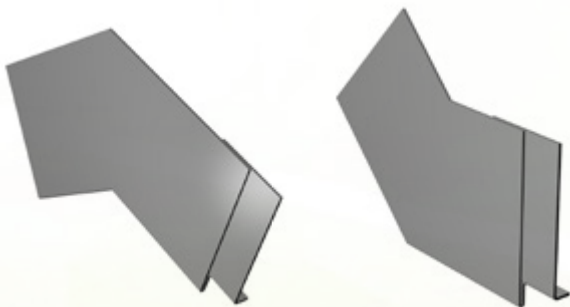
Note: For non 90° corners use code suffix /EXTPPC for External /INTPPC for internal

Stop Ends



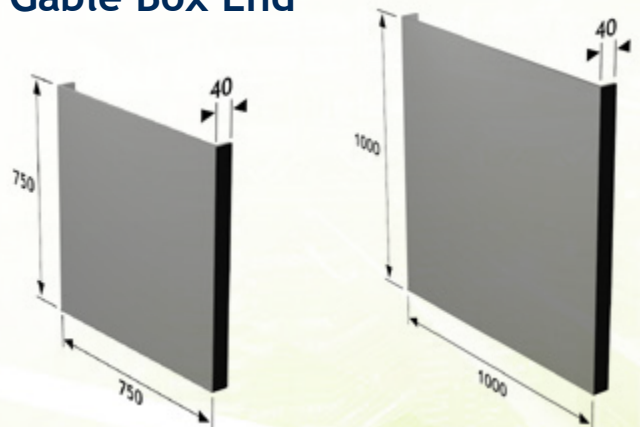
Code Suffix	
Left Hand	Right Hand
/LHSEPPC	/RHSEPPC

Apex / Raking Angle



Code Suffix
Made to customer specification
/APAPPC

Gable Box End



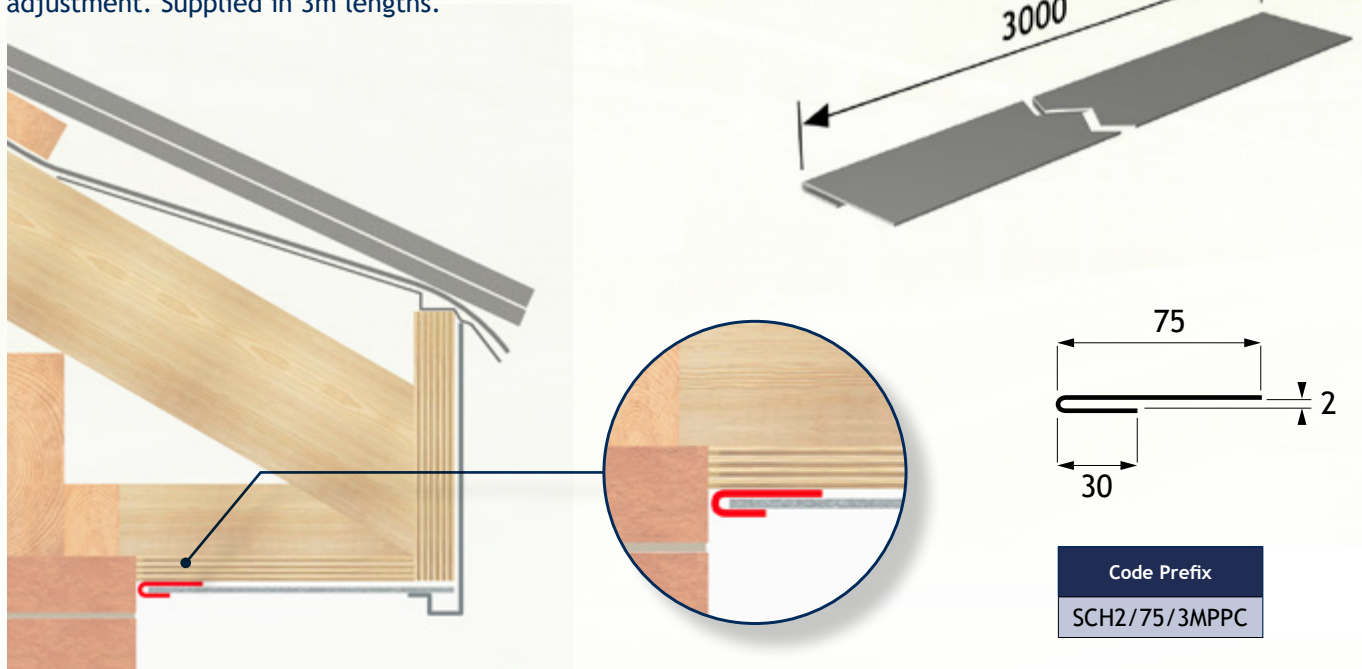
Product Code	
750 x 750	1000 x 1000
SF/GBE/75PPC	SF/GBE/100PPC

Fascia Universal Trims

Universal trims shown here are available, made to order to customer specification. More complex trims can also be manufactured to suit any site detailing requirement. Please contact our technical support team, who will be happy to discuss your project and advise.

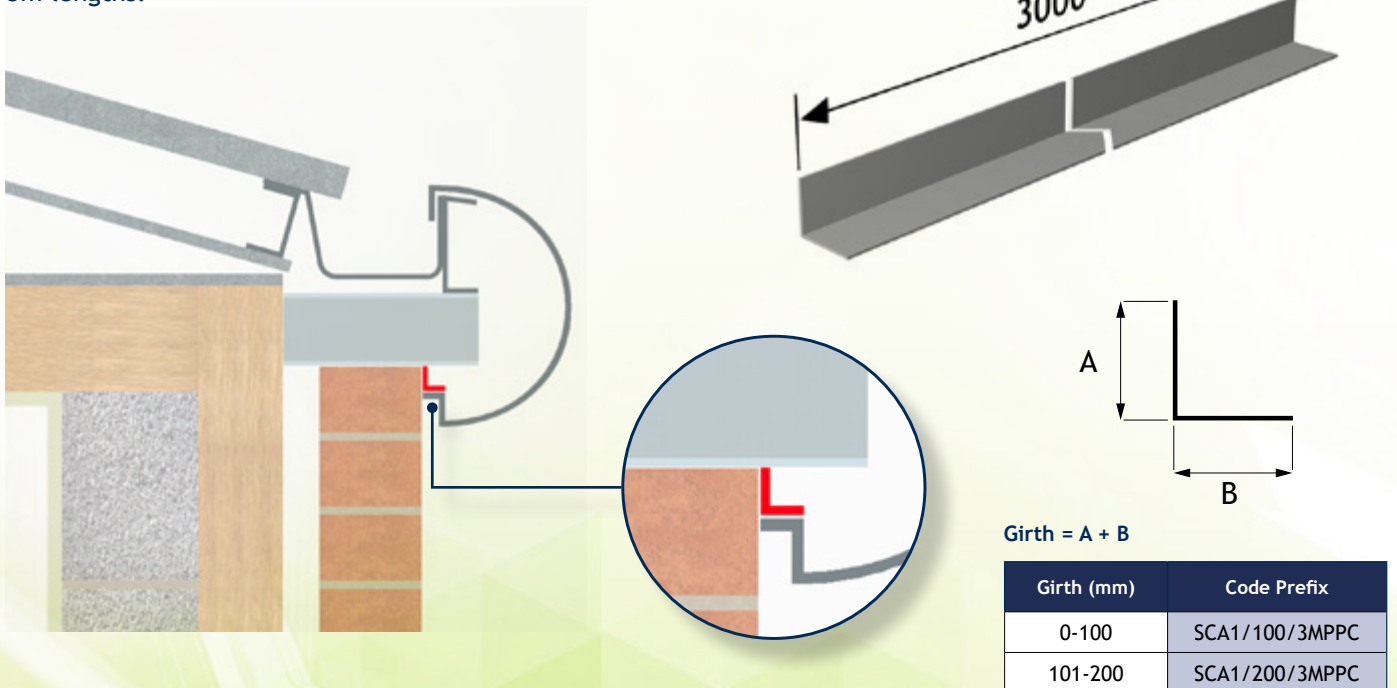
SCH2-Folded Welt Channel Profile

The SCH2 folded welt channel provides a quick and easy solution for edge detailing. The 30mm welt provides ample scope for variation and adjustment. Supplied in 3m lengths.



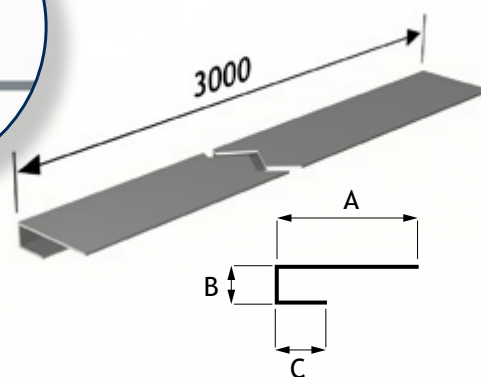
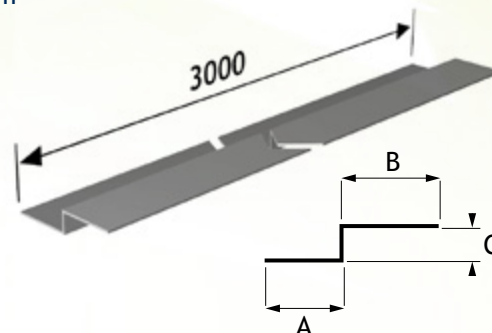
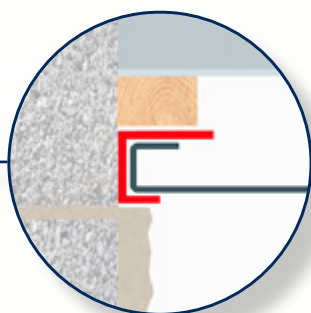
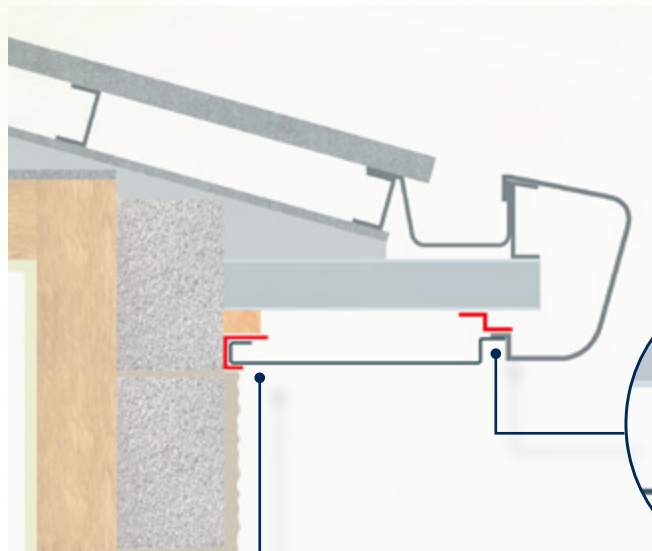
SCA1-1x Bent Aluminium Profile Trims

The SCA1 Aluminium Trim is a 1x bent profile that can be made to any size required, available in girth of up to 200mm (see table). Supplied in 3m lengths.



SCA2-2x Bent Aluminium Profile Trims

The SCA2 Aluminium Trim is a 2x bent profile that can be made to any size required, available in girth of up to 200mm (see table). Supplied in 3m lengths.

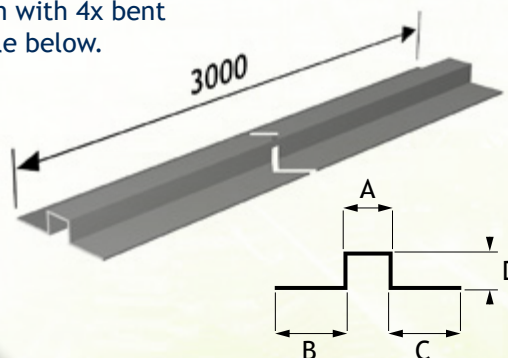


$$\text{Girth} = A + B + C$$

Girth (mm)	Code Prefix
0-100	SCA2/100/3MPPC
101-200	SCA2/200/3MPPC

Other Trims & Profiles

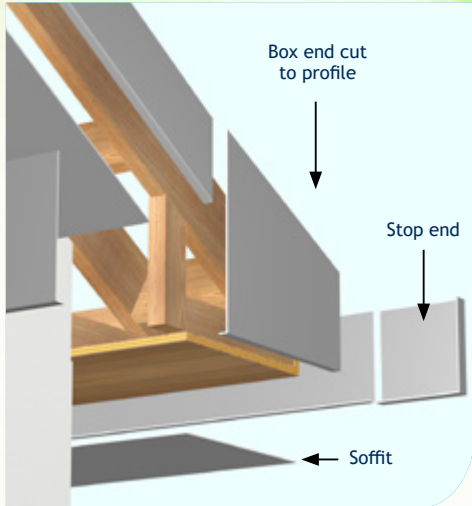
For all other profiles and trims, simply use the code for the fascia, indicating the number of bends and girth as reference. For example: to order a trim with 4x bent use code SF4/200 and provide the required dimensions as the example below.



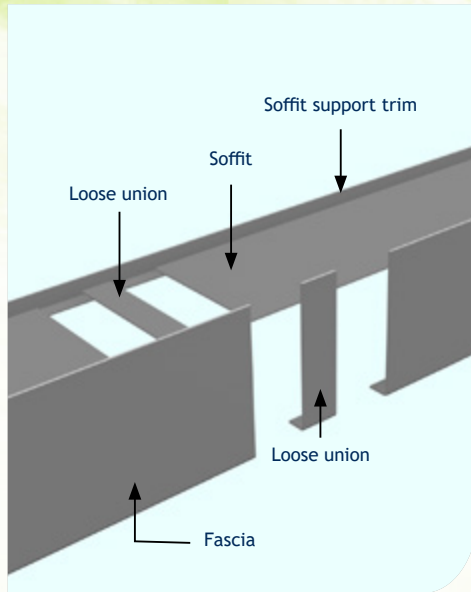
$$\text{Girth} = A + B + C + D + D$$

Girth (mm)	Code Prefix
0-200	SF4/200/3MPPC

Fascia Installation Guide



1. Typically, the soffit panel is installed prior to fascia installation. Please refer to Skyline Soffit Installation Guide.



SF1 - 1x bent



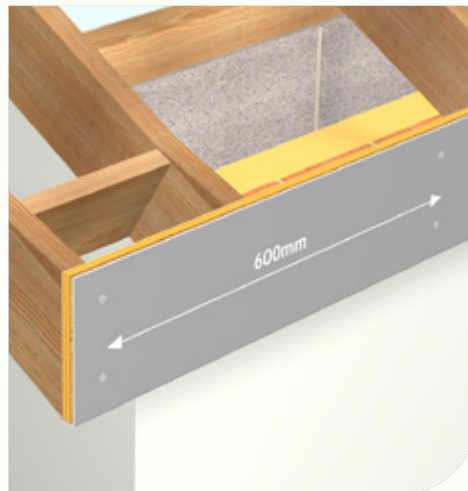
SF2 - 2x bent



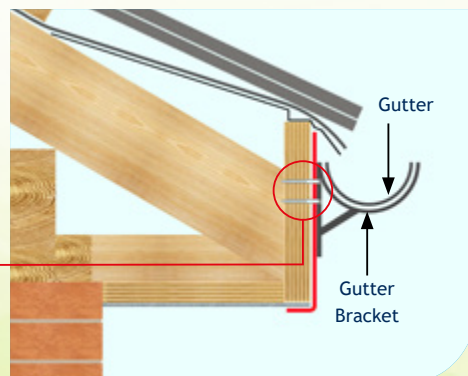
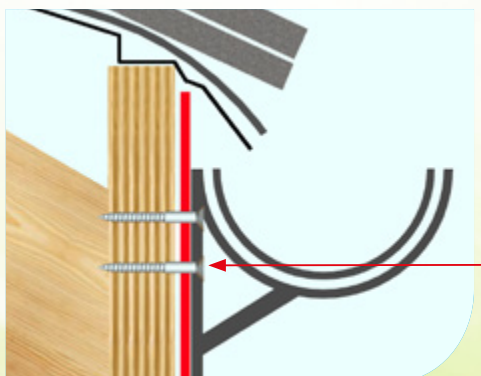
SF3 - 3x bent



2a. Skyline Aluminium Fascia is an over fascia that requires a timber or steel carcass substrate. Typically, when gutters are required, the gutter fixing will penetrate the aluminium fascia and fix into the timber (or steel) behind. Therefore, the timber (or steel) substrate must be securely fixed to the rafters to provide a structural background for fixing the aluminium fascia and subsequent gutter.



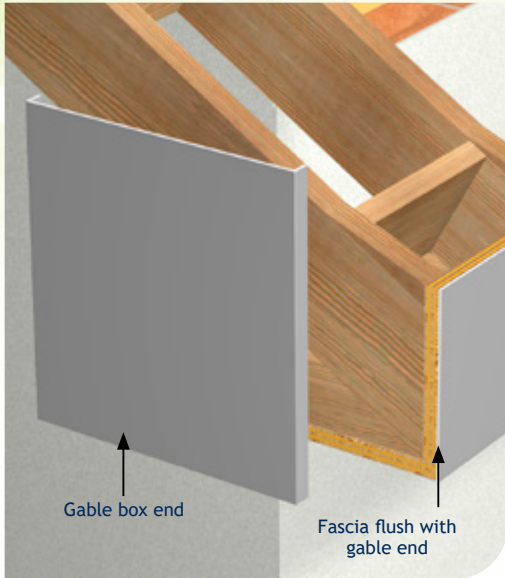
2b. Fix fascia onto the substrate using low profile fixings. Typically No12 x 38mm roundhead woodscrews or 4.9 to 5.5 x 35mm stainless steel fixings with washers through oversized (8mm) or slotted holes (11 x 7mm) to allow for thermal movement and expansion. Generally fix at maximum 600mm centres to substrate.



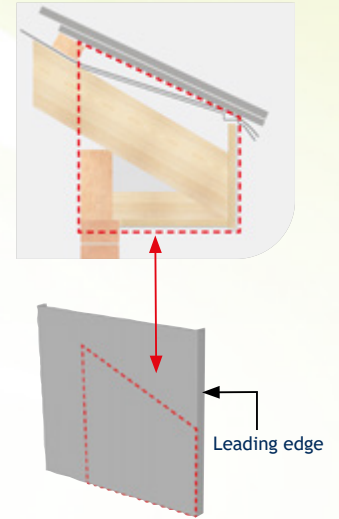
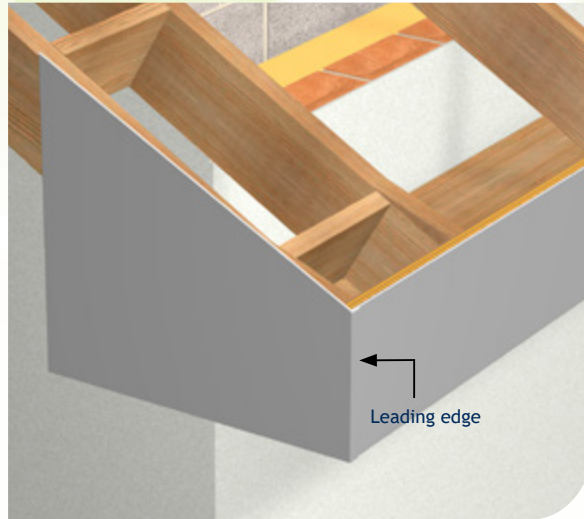
3. How to measure aluminium fascia:

Before ordering, ensure that the boxed timber (or steel) substrate is complete and ready to measure. Skyline Aluminium Fascia is made to measure: choose from SF1 (1x bent profile) to SF7 (7x bent profile).

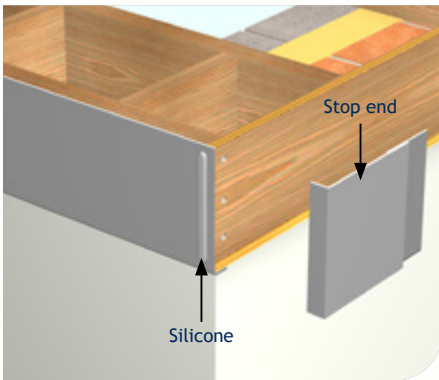
Typical examples of SF1, SF2 and SF3 are shown above. To order, simply measure the required profile and choose from a selection of incremental girth sizes to suit, for example, an SF1 1x bent profile with a dimension of A = 140mm and B = 20mm has a girth (A+B) of 160mm, therefore choose 0-200mm girth = SF1/200 product code.



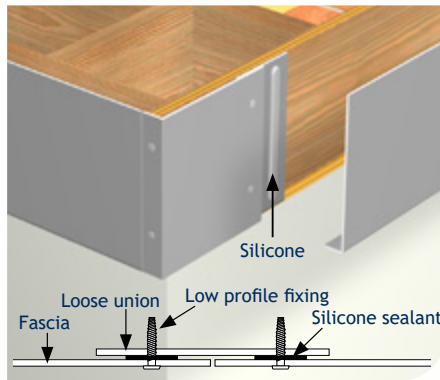
4. Where a gable box end is required, start installing the fascia flush with the gable end, then proceed to install the rest of the fascia.



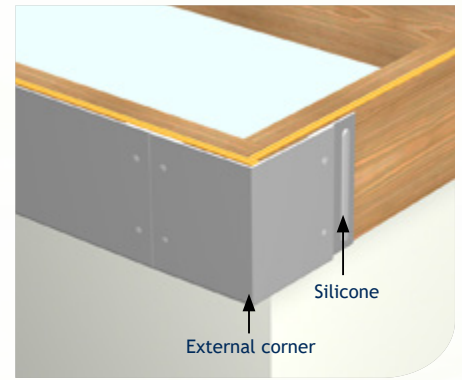
5. Cut the gable box end to size by carefully measuring and transferring the template onto the gable box component. Note that the gable box is supplied with three pre-folded edges to allow use for left- or right-handed application. Use the front folded (leading) edge to overlap the fascia and the bottom folded edge to provide a clean finished edge underneath. All other cut edges should be painted using the appropriate touch-up paint.



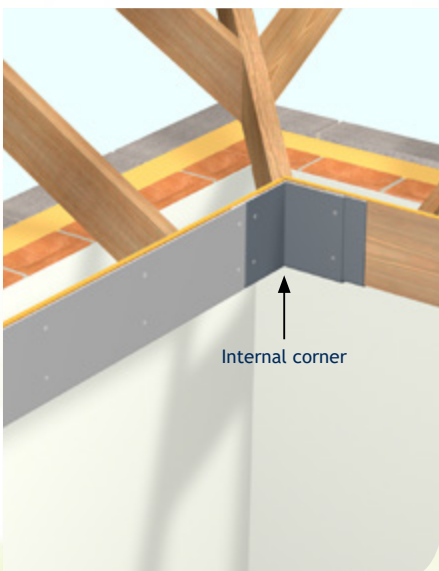
6. Where a stop end is used: typically on a flat roof, or pitched roof where the gable is angled directly into the fascia (i.e., with no gable box detail). First install the gable end/ bargeboard aluminium fascia; use the right or left handed stop end to start your fascia installation.



7. With the stop end and union installed, proceed with overlaying the fascia lengths in sequence, taking care at each joint to leave an expansion gap. Use the loose union provided at each joint, allowing for a 4mm expansion gap at each joint. Apply a bead of silicone sealant (Dow Corning 791) before fixing.



8. Internal and external corners should be installed prior to adjoining fascia lengths. Fascia length should be cut to allow for 4mm expansion between all joints. Use the loose unions provided at each joint and follow the advice shown above for fixing method.



9. Apex angles and raking angles are typically used on gable end or dormer applications. Apex and raking angles are made to order to suit the roof pitch and site requirements. Alternatively, a mitred joint can also be used where appropriate (as shown above at ridge of dormer).

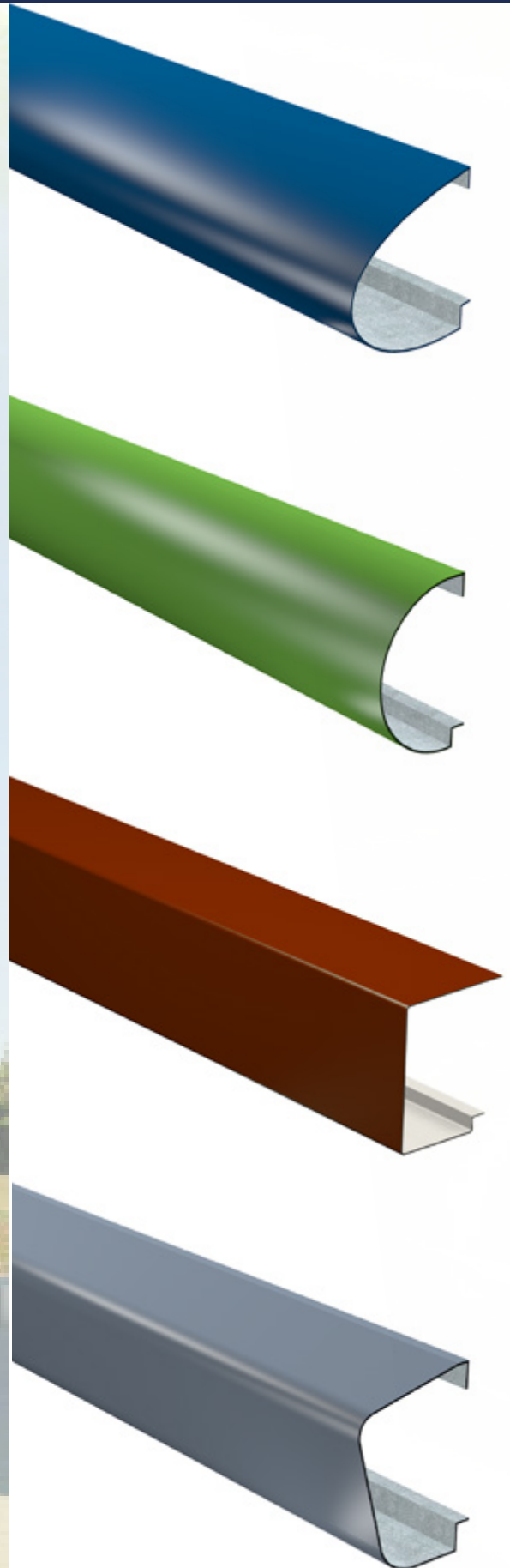
Designer Fascia - Overview

In addition to the standard range of Skyline Architectural Aluminium Fascias, Alumasc has also developed a dramatic bespoke range of Skyline Designer Fascia profiles. These are ideal for applications where there is a requirement for highly individualistic fascia solutions with dramatic and distinctive visual features.

The Designer Fascia range is based around four eye-catching aluminium fascia profile shapes that can be customised into dramatic roof edge details, including integrated Alumasc Rainwater Disposal Systems of aluminium gutters and downpipes.

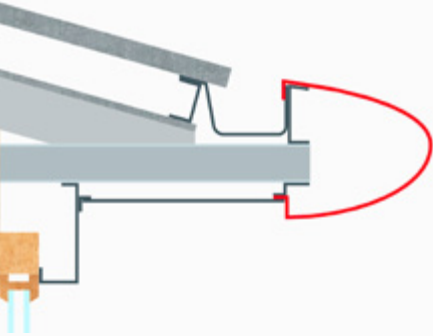


When a fascia solution is wanted which is different and with an added touch of architectural distinction, fully bespoke Skyline Designer Fascias come into their own. Building designers can make strong visual statements with a fully made to measure fascia solution based around a choice of four striking fascia profile shapes: aerofoil, bullnose, chisel and profiled box.



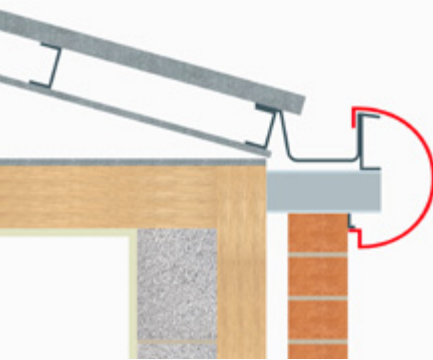
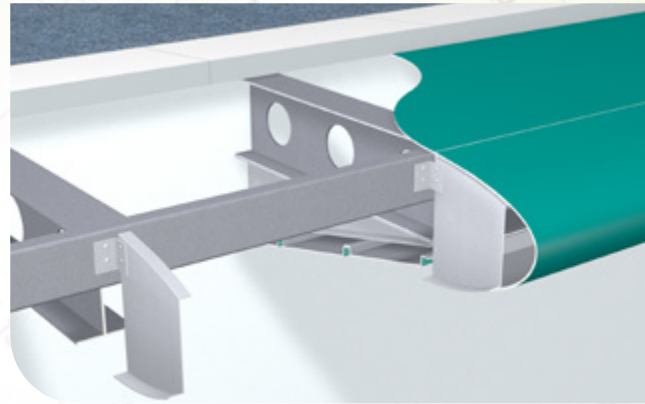
Designer Fascia Profiles

Skyline Designer Fascias offer stylish contemporary fascia solutions of architectural elegance and sophistication, which can be fabricated to suit any project requirement. Each specially manufactured profile exhibits its own distinctive visual features. All Skyline Designer Fascias can be manufactured to combine cleverly concealed roof drainage.



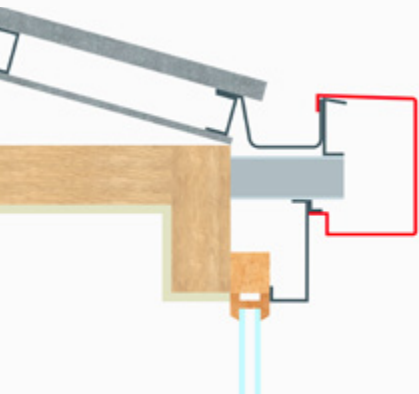
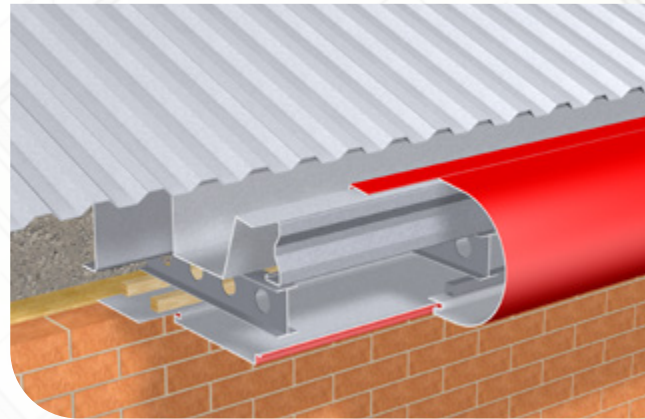
Aerofoil

The sophisticated elongated curvature of the profile creates an elegant visual effect resembling the wing of an aeroplane.



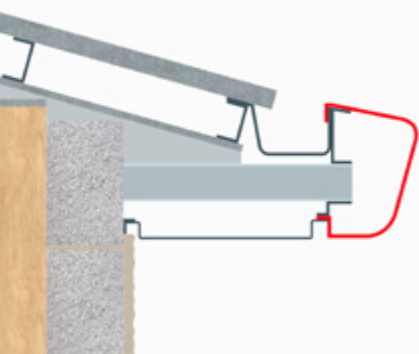
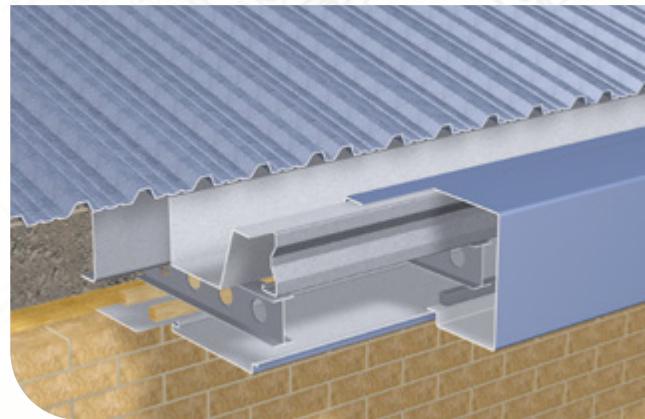
Bullnose

Bullnose shaped fascia profiles lend an uncompromising and robust beauty to the roofline, which explains the enduring popularity of this fascia profile.



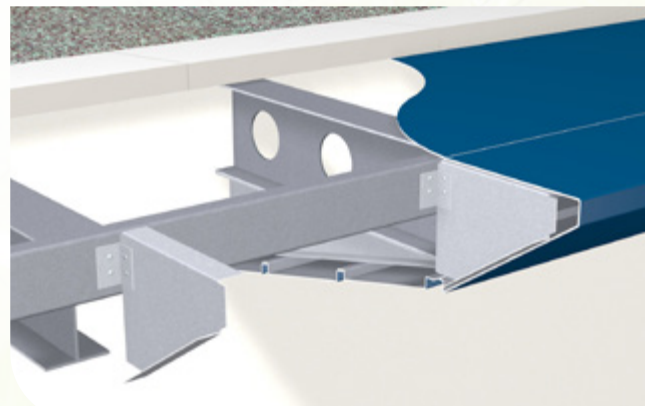
Profiled Box

A figured profile with a number of facets which can create an edge detail with shadow lines that reflect the contours of other features of the building.



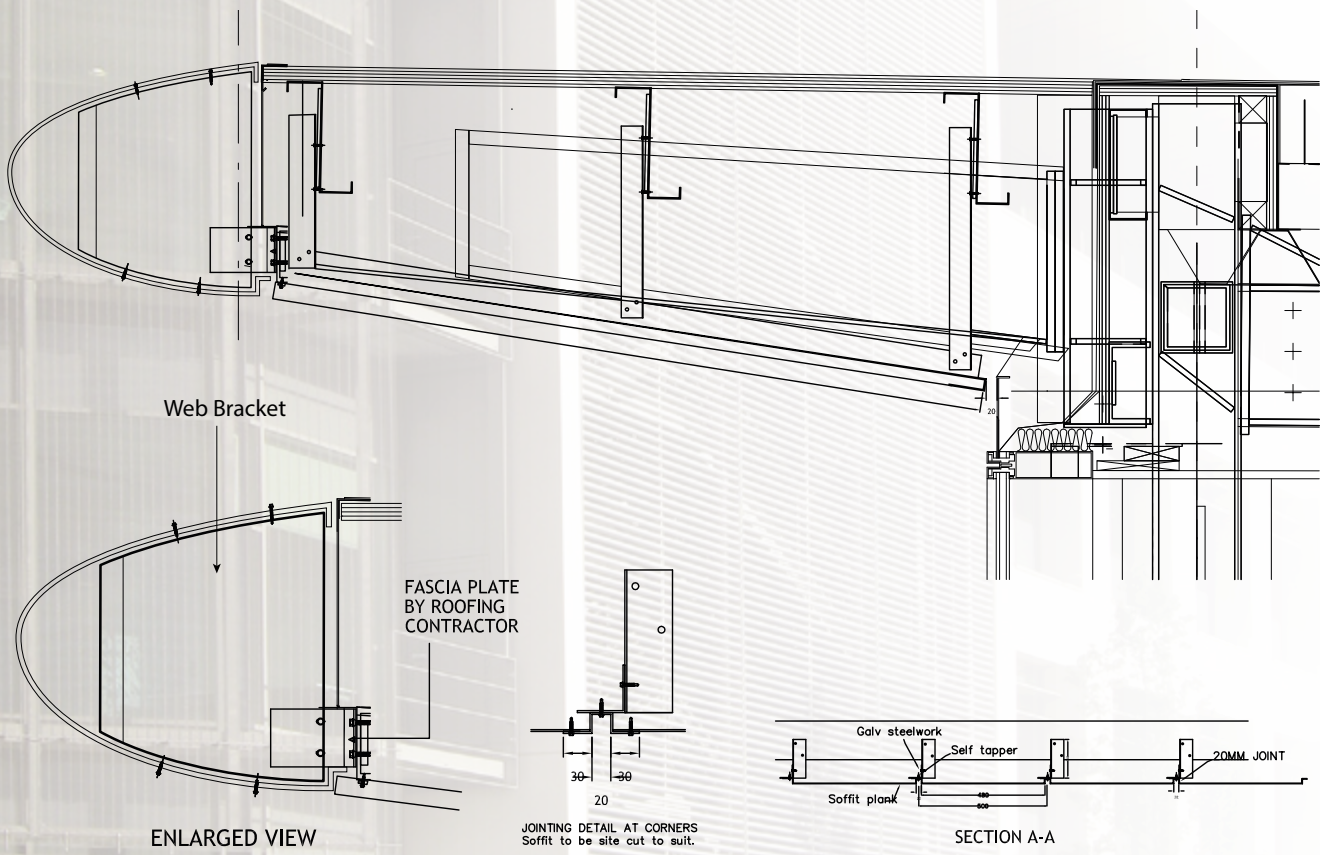
Chisel

A more angular profile with a downward taper, which lends a striking modernist look to the lines of the fascia.



Designer Fascia - Aerofoil

The Aerofoil Designer Fascia shape is inspired by the elegant aerodynamic lines of an aeroplane wing. As with all Skyline Designer Fascias, every Aerofoil profile is manufactured to order, precisely matched to the customer's project.

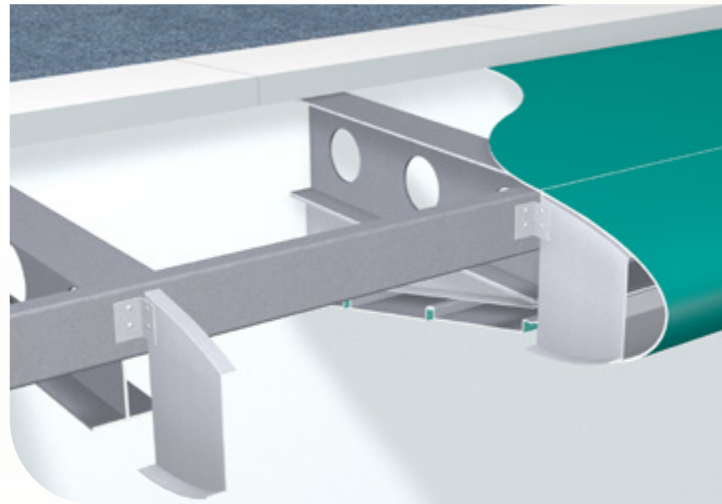


Aerofoil shaped Skyline Designer Fascias have an air of subtle elegance, which makes them a popular choice for architects who want to imbue their designs with high quality visual appeal. Every Designer Fascia with an Aerofoil fascia profile will have its own unique configuration that will lend distinction and originality to the building upon which it is installed.

But Aerofoil fascia profiles are not only beautiful. When forming part of a Skyline roofline design, they are also high performing and extremely practical in application.

Key characteristics - Aerofoil profiles

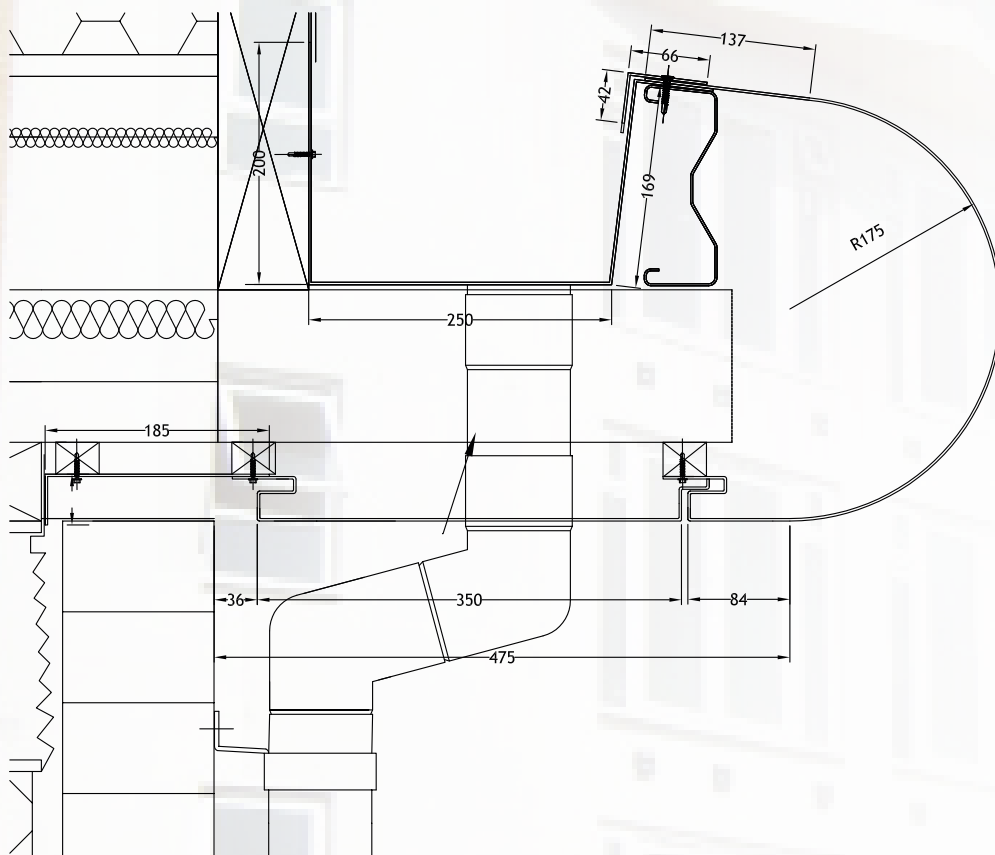
- Visually elegant and original
- Highly decorative
- Practical and functional
- Distinctive – every manufactured profile will be unique
- Assistance if required with CAD detailing from our experienced in-house teams
- Wide colour range of polyester powder coatings
- Long life and minimal maintenance
- Favoured by designers who want the roofline of their building to reflect a subtle statement of sophistication and quality



Designer Fascia - Bullnose

The Bullnose profile in the Skyline Designer range reflects a bold and robust quality that makes it a firm favourite with architects. The lines of bullnose fascias are powerful and visually striking – the perfect finishing touch to a building roofline.

As with all Skyline fascias, bullnose Designer Fascia profiles can introduce colour which can blend or contrast with the building exterior. A virtually unlimited range of power coated colour finishes available maintain a quality appearance and are effectively maintenance free.

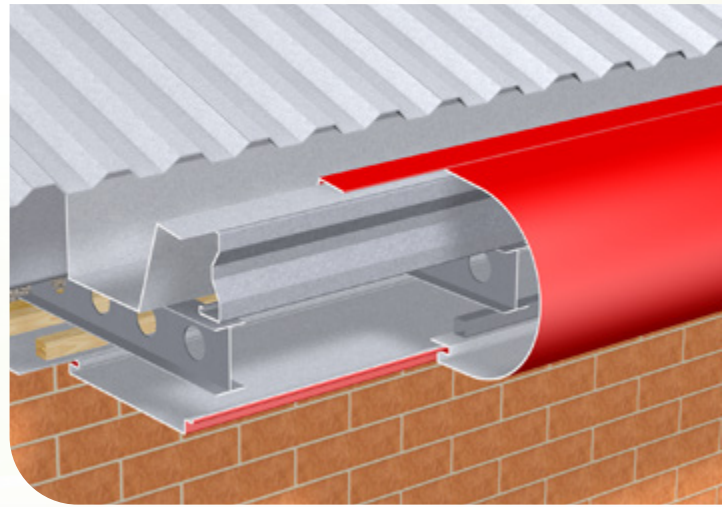


In designs where the effect of projecting eaves is wanted, Bullnose Designer Fascia profiles can be combined with Skyline Soffit Plank, to create a fully integrated and visually harmonious fascia soffit solution. Our technical support teams are always on hand to advise architects on aspects of Skyline fascia design, and can also provide advice to installers.

As with all Skyline Designer Fascias, Bullnose profiles can cleverly incorporate discretely hidden roof drainage.

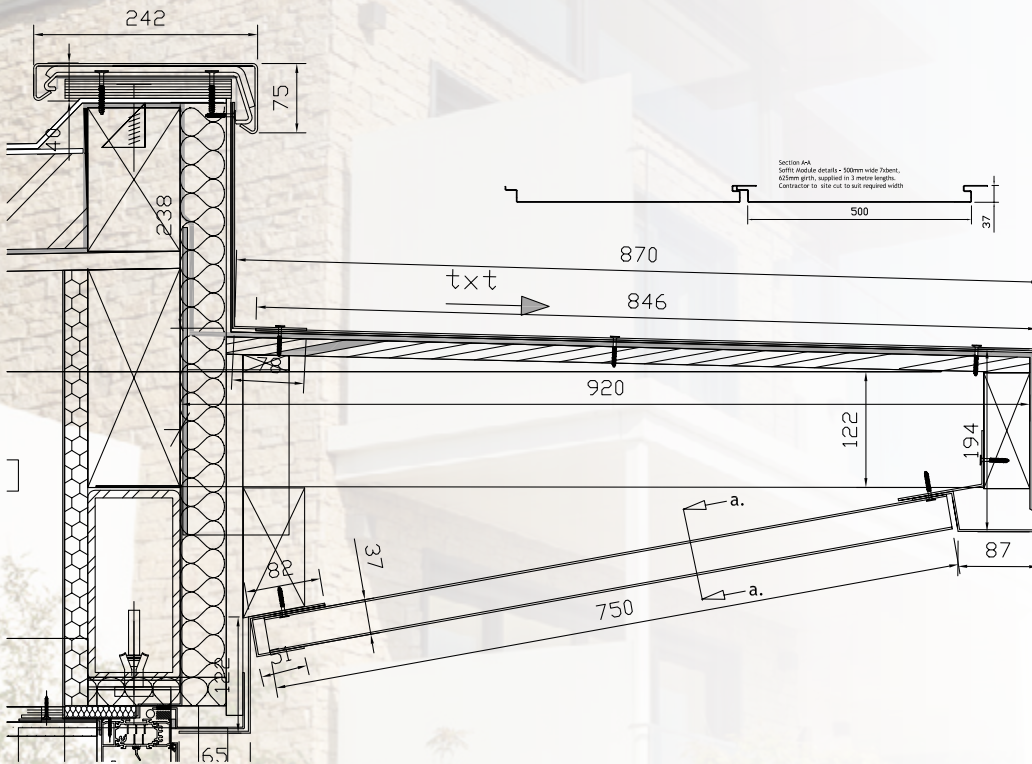
Key characteristics - Bullnose profiles

- Visually robust, bold and striking lines
- Distinctive – every Bullnose Architectural Aluminium Designer Fascia is purpose made to suit a specific project
- Can be combined with Skyline Soffits to create an integrated fascia/soffit design solution
- Attractive smoothly regular appearance
- Practical and functional
- Assistance if required with CAD detailing from our experienced in-house teams
- Wide colour range of polyester powder coatings
- Long life and minimal maintenance



Designer Fascia - Profiled Box

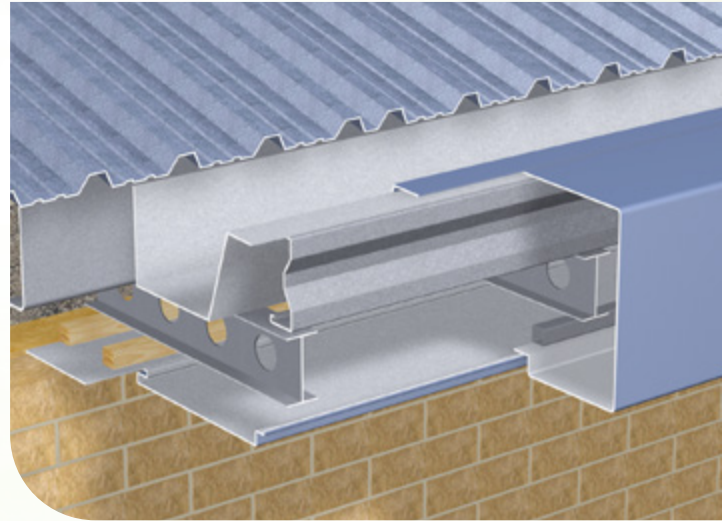
Skyline Profiled Box has an attractively faceted profile. This can create subtle and soft visual effects in a roof edge detail and can be used to create shadow lines or to match other visual features and contours of a building.



The graceful forms that can be achieved from a purpose manufactured Skyline Profiled Box Designer Fascia provide another dimension for designers. They can create a unique roofline solution which is distinctive and different from the curvature of Aerofoil profile shapes and the bold, assertiveness of Bullnose shaped profiles.

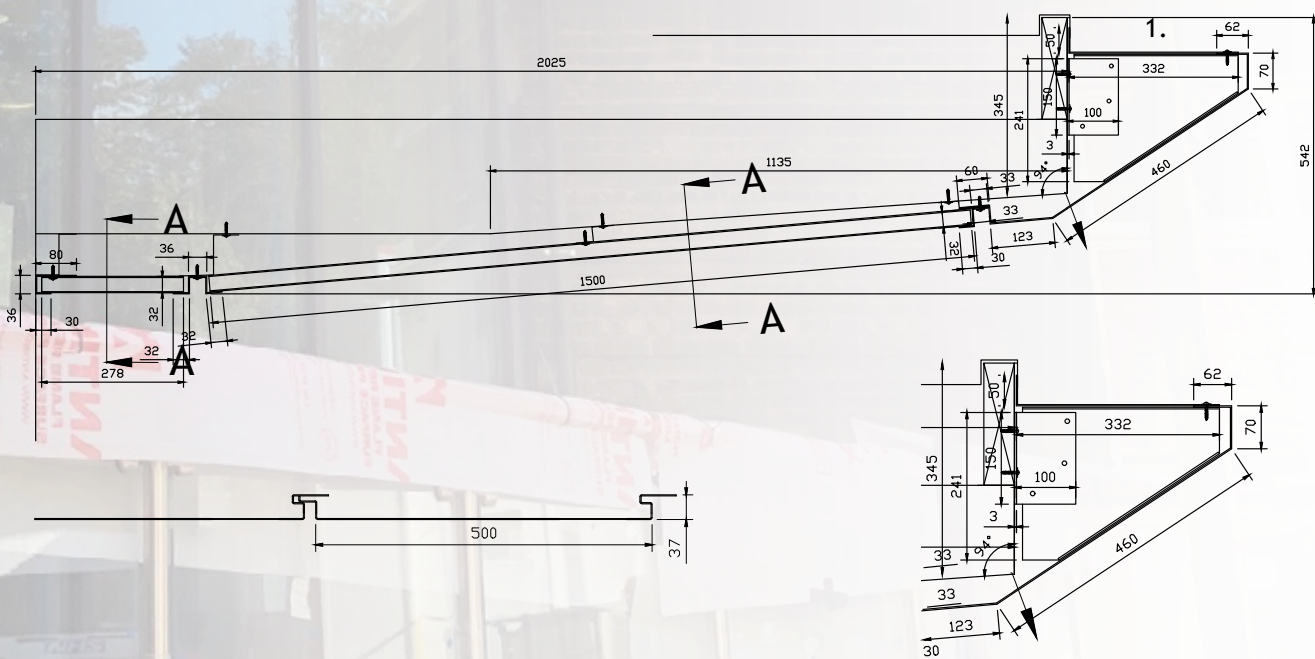
Key characteristics - Profiled Box

- Gracefully faceted angular profile
- Ideal for creating shadow lines in a building to visually articulate a gap or space between surfaces.
- Distinctive – every Skyline Profiled Box shape is purpose made to meet the design brief of a specific project
- Practical and functional
- Alumasc can assist with CAD detailing if required, using our experienced and specialist in-house teams
- Wide colour range of polyester powder coatings
- Long life and minimal maintenance



Designer Fascia - Chisel

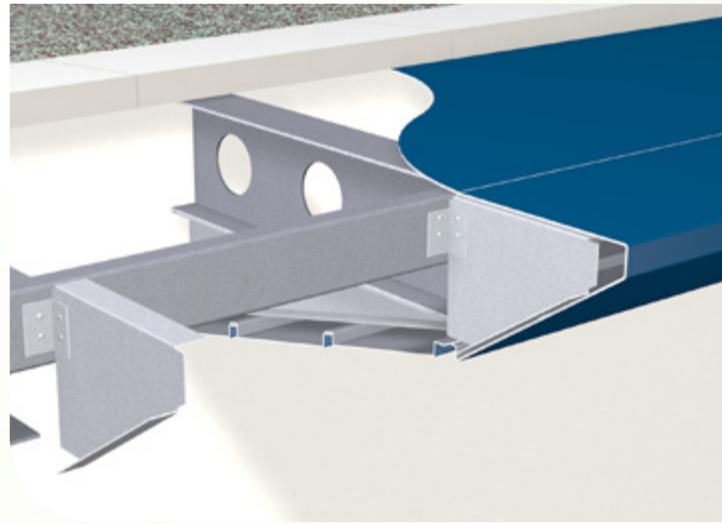
Skyline profiles, manufactured to a Chisel shape with a downward taper, exhibit an angular profile that can be softy rounded or sharply faceted. The visual effect can be hard of soft to bring a distinctive visual effect to the roofline.



As with all Skyline Designer Fascias, each of our Architectural Aluminium Chisel shaped profiles is manufactured to suit a specific project. The elegant taper and angular facets, which can be softly rounded or sharp edged, enable designers to create roof edge detailing that brings distinctive and refined modernist lines to the roofline.

Key characteristics - Chisel

- Elegant downward taper with smoothly rounded facets for a soft effect, or sharp edges for a futuristic angular appearance
- Distinctive – every Skyline Chisel shape is purpose made to meet the design brief of a specific project.
- Practical and functional
- Alumasc can assist with CAD detailing if required – our experienced specialist in-house teams are always available to assist designers and installers
- Wide colour range of polyester powder coatings
- Long life and minimal maintenance





Soffits

Fascia and soffit are often integrated elements of roof edge detailing, and the Skyline Soffit Plank is a secret fix modular planking system designed to function with overhanging soffits. Skyline Soffits often feature as an integral element in a Skyline Fascia scheme.

A choice of standard Soffit Plank profiles is available in standard 3 metre lengths.

Applications

- Wherever overhanging soffits are a feature of the roofline and as a finishing beneath canopies

Features & Performance

- Sections available in variable widths from 150 to 600mm
- Individual soffit plank lengths up to 3 metres
- Simple and quick to install
- No visible fixings
- Wider plank available for greater overhangs and spans
- Lightweight, durable and corrosion resistant
- Material thickness and fixing mechanism gives excellent rigidity
- Minimal maintenance required
- Life expectancy of aluminium: 40 years (rural/suburban areas); up to 25 years (industrial/marine areas)
- Aluminium is 100% recyclable

Manufacture

- Manufactured entirely in the UK

Colours & Finishes

- BBA approved polyester powder coatings in 16 factory applied colours from our in-house powder coating facility
- Any BS or RAL colour available to order

Installation & Fixings

- All components delivered to site
- Simple and quick to install

SOF0

See page 54

SOF4

See page 56

SOF7

See page 58

SOF0 - Aluminium Soffits

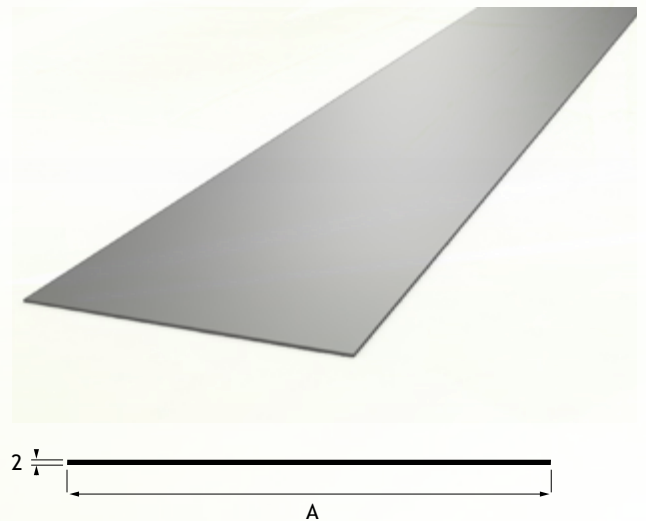


SOF0 Soffit panel is a flat 2mm aluminium sheet profile, available in 3m lengths up to a width of 1000mm

The standard range of components comprises 3m lengths and corners. In addition to the standard range, bespoke fabrication is also available for awkward site detailing, such as radiuses and transition pieces.

How to choose your soffit size:

1. Determine the girth of the soffit by measuring dimension A
2. Using the dimension table, select the corresponding girth size and order code prefix



Example:
If A = 250mm, then girth = 250mm
Therefore choose 201-300mm girth = SOF0/300 code prefix

Example

Girth (mm)	Code Prefix
0-200	SOF0/200
201-300	SOF0/300
301-400	SOF0/400

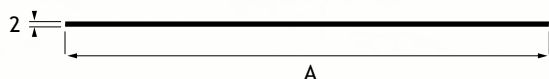
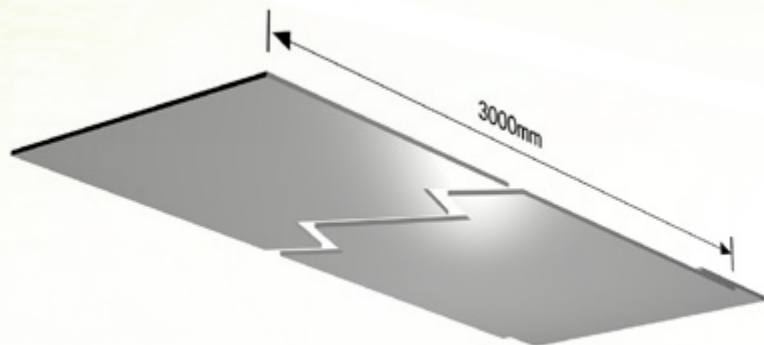
To order, simply use the prefix code together with the required component suffix code on page 55

Example: 90° external corner = SOF0/200/CNRPPC

Dimension Table

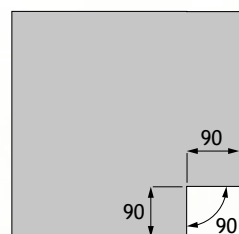
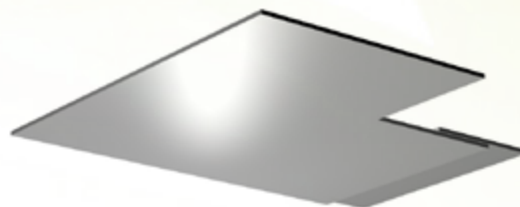
Girth (mm)	Code Prefix
0-200	SOF0/200
201-300	SOF0/300
301-400	SOF0/400
401-500	SOF0/500
501-600	SOF0/600
601-700	SOF0/700
701-800	SOF0/800
801-900	SOF0/900
901-1000	SOF0/1000

3m Length



Code Suffix
/3MPPC

Corners



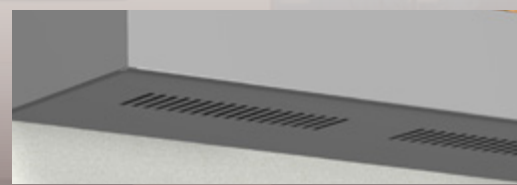
Code Suffix
/CNRPPC

Product notes

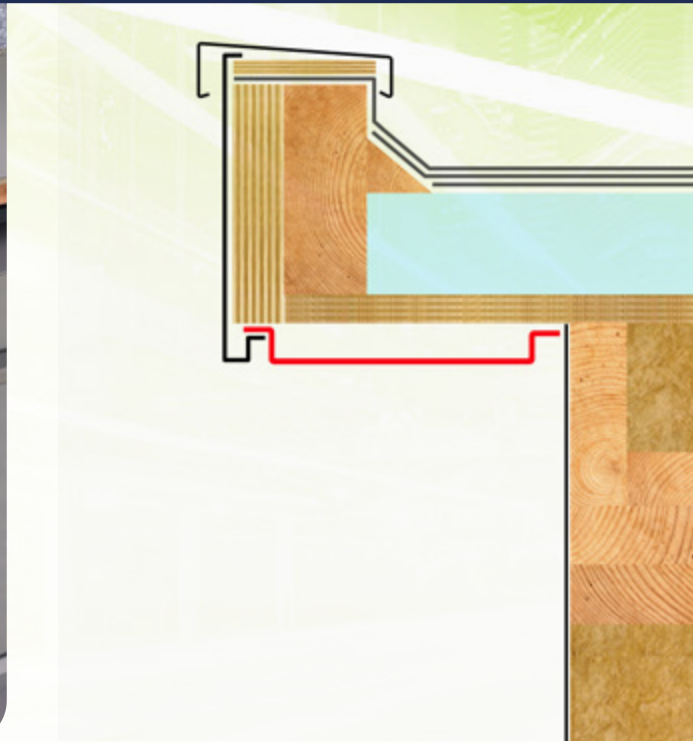
- Order using the prefix code from page 54 together with the item suffix code – for example, SOF0/200/3MPPC
- When ordering please specify RAL colour (see page 14)
- 3m lengths supplied complete with loose union



- All fittings supplied complete with loose union
- Additional loose union available to order using code: /UCPPC
- Soffit vent options available

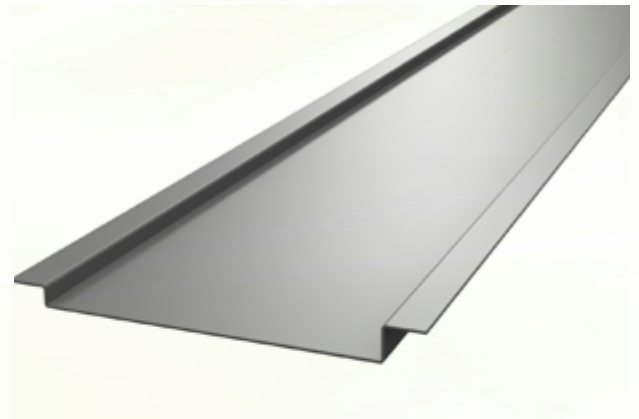


SOF4 - 4 x Bent Aluminium Soffits



SOF4 Soffit panel is a 4x bent 2mm Aluminium sheet profile, available in 3m lengths up to a width of 1000mm

The standard range of components comprises 3m lengths and corners. In addition to the standard range, bespoke fabrication is also available for awkward site detailing, such as radiuses and transition pieces.

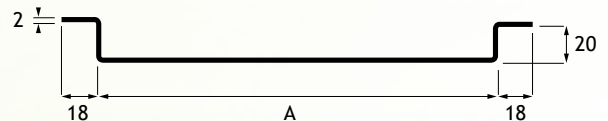


How to choose your Soffit size:

1. Determine dimension A then add 77mm (standard detail dimension)
2. Using the Dimension table, select the corresponding girth size and order code prefix

Example:

If A = 263mm plus standard detail dimension of 77mm, then girth = 340mm. Therefore choose 301-400 girth = SOF4/400 code prefix.



Example

Girth (mm)	Code Prefix
0-200	SOF4/200
201-300	SOF4/300
301-400	SOF4/400

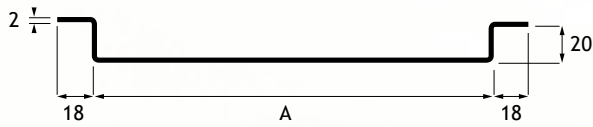
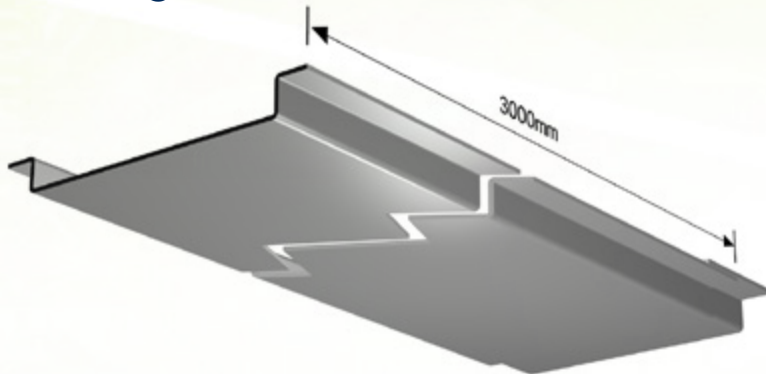
To order, simply use the prefix code together with the required component suffix code on page 57

Example: 90° External Corner = SOF4/200/CNRPPC

Dimension Table

Girth (mm)	Code Prefix
0-200	SOF4/200
201-300	SOF4/300
301-400	SOF4/400
401-500	SOF4/500
501-600	SOF4/600
601-700	SOF4/700
701-800	SOF4/800
801-900	SOF4/900
901-1000	SOF4/1000

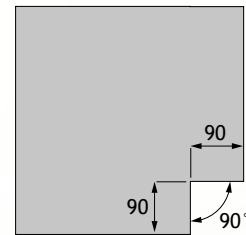
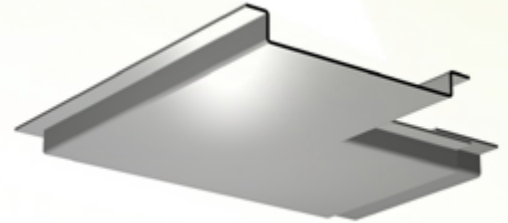
3m Length



Code Suffix

/3MPPC

Corners



Code Suffix

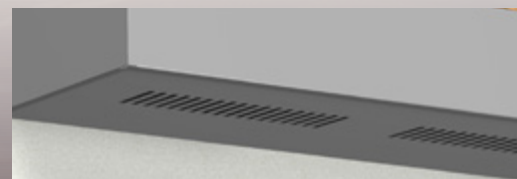
/CNRPPC

Product notes

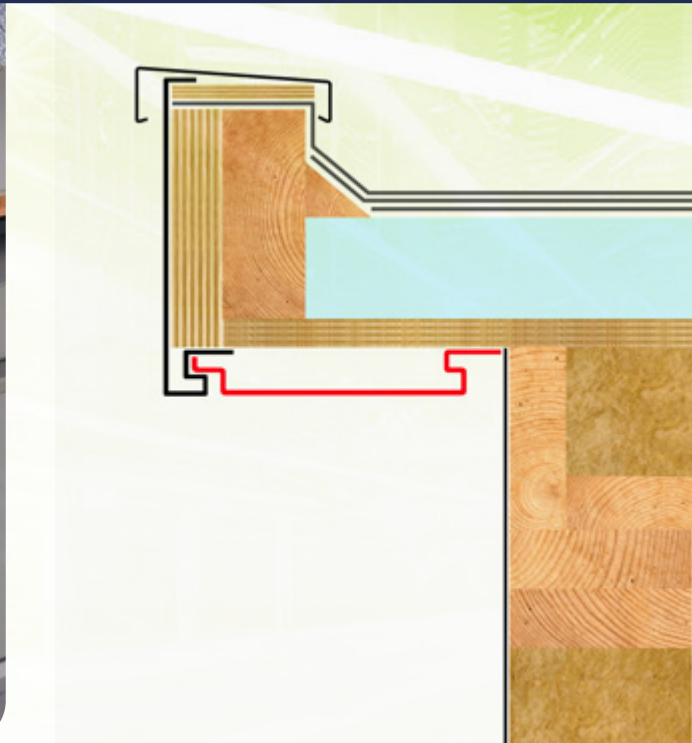
- Order using the prefix code from Page 56 together with the item suffix code – for example, SOF4/200/3MPPC
- When ordering please specify RAL colour (see page 14)
- 3m lengths supplied complete with loose union.



- All fittings supplied complete with loose union
- Additional loose union available to order using code: /UCPPC
- Soffit vent options available



SOF7 - 7 x Bent Aluminium Soffits



SOF7 Soffit panel is a 7x bent 2mm Aluminium sheet profile, available in 3m lengths up to a width of 600mm and in two options of 32mm and 40mm depth.

The standard range of components comprises 3m lengths and corners. In addition to the standard range, bespoke fabrication is also available for awkward site detailing, such as radiuses and transition pieces.

To order, simply use the prefix code together with the required component suffix code on page 59.

Example: SOF7/25 600mm x 3m Length = SOF7/25/600/3MPPC

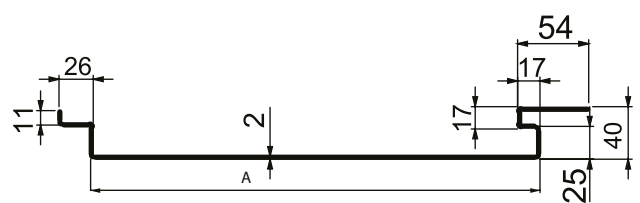


SOF7/25 - 32mm Soffit Module



Size A	Code Prefix
150	SOF7/25/150
300	SOF7/25/300
450	SOF7/25/450
500	SOF7/25/500
600	SOF7/25/600

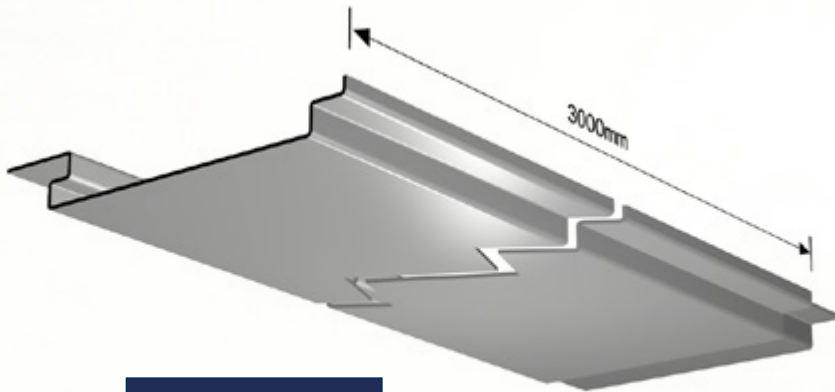
SOF7/35 - 40mm Soffit Module



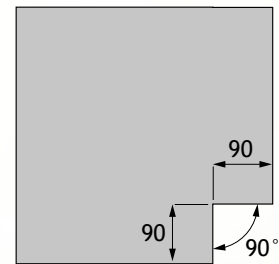
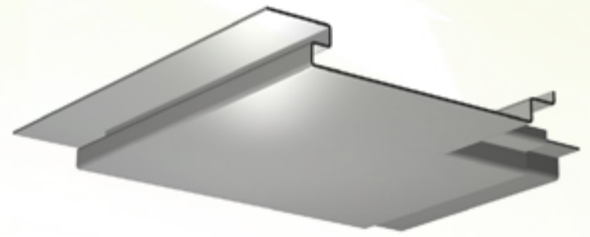
Size A	Code Prefix
150	SOF7/35/150
300	SOF7/35/300
450	SOF7/35/450
500	SOF7/35/500
600	SOF7/35/600

Corners

3m Length



Code Suffix
/3MPPC



Code Suffix	
External	Internal
/EXTPPC	/INTPPC

Note: Please state degree at time of order.

Product notes

- Order using the prefix code from Page 58 together with the item suffix code – for example, SOF7/200/3MPPC
- When ordering please specify RAL colour (see page 14)
- 3m lengths supplied complete with loose union.



- All fittings supplied complete with loose union
- Additional loose union available to order using code: /UCPPC
Soffit vent options available

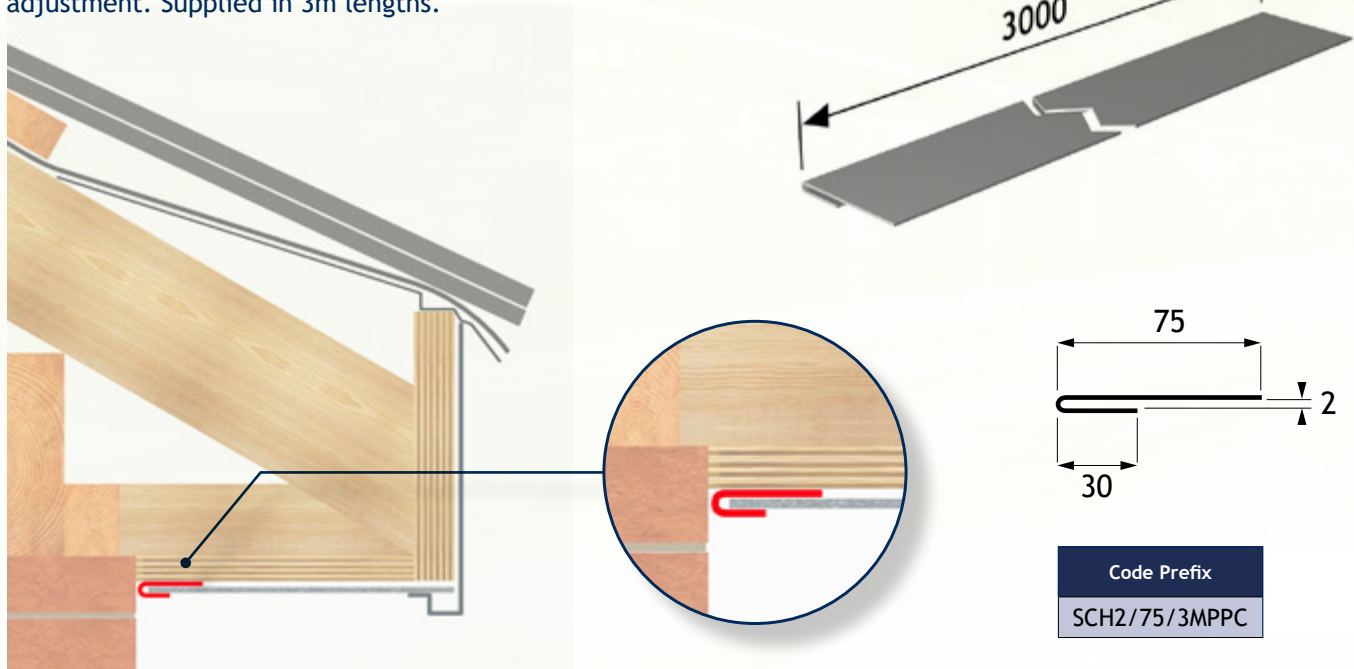


Soffit Universal Trims

Universal trims shown here are available, made to order to customer specification. More complex trims can also be manufactured to suit any site detailing requirement. Please contact our technical support team, who will be happy to discuss your project and advise.

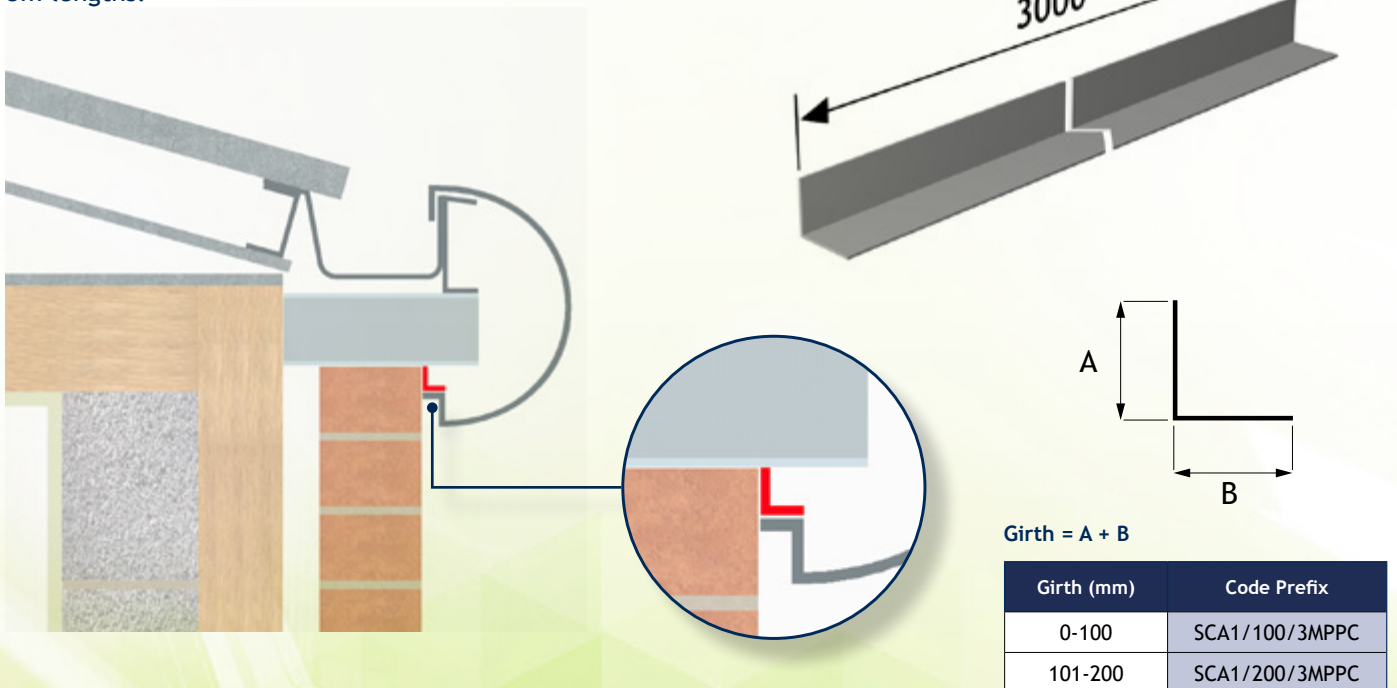
SCH2-Folded Welt Channel Profile

The SCH2 folded welt channel provides a quick and easy solution for edge detailing. The 30mm welt provides ample scope for variation and adjustment. Supplied in 3m lengths.



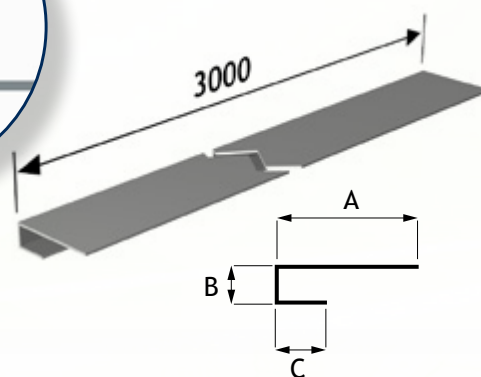
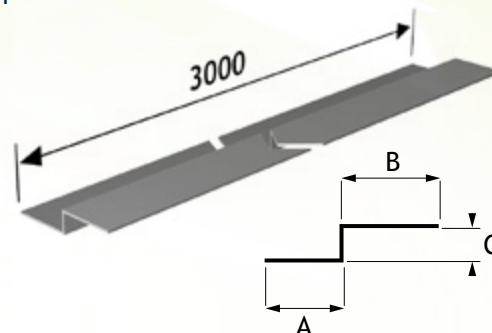
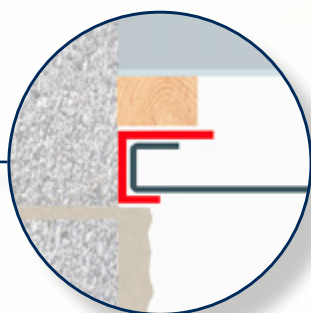
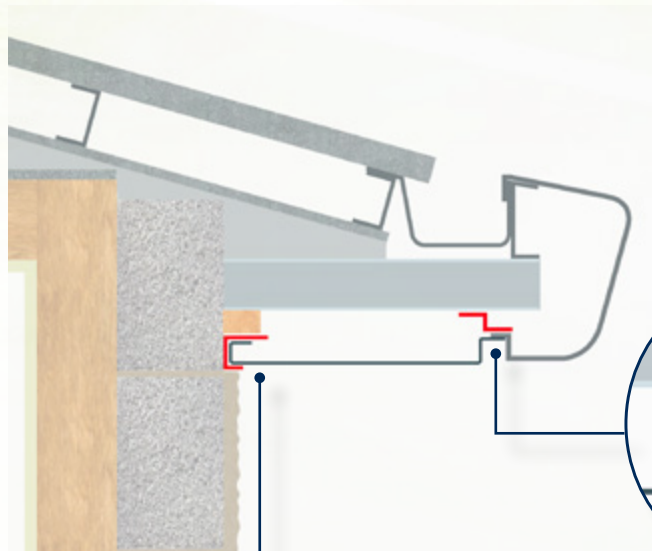
SCA1-1x Bent Aluminium Profile Trims

The SCA1 Aluminium Trim is a 1x bent profile that can be made to any size required, available in girth of up to 200mm (see table). Supplied in 3m lengths.



SCA2-2x Bent Aluminium Profile Trims

The SCA2 Aluminium Trim is a 2x bent profile that can be made to any size required, available in girth of up to 200mm (see table). Supplied in 3m lengths.

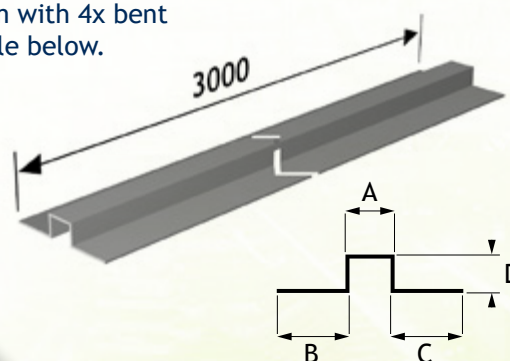


$$\text{Girth} = A + B + C$$

Girth (mm)	Code Prefix
0-100	SCA2/100/3MPPC
101-200	SCA2/200/3MPPC

Other Trims & Profiles

For all other profiles and trims, simply use the code for the fascia, indicating the number of bends and girth as reference. For example: to order a trim with 4x bent use code SF4/200 and provide the required dimensions as the example below.



$$\text{Girth} = A + B + C + D + D$$

Girth (mm)	Code Prefix
0-200	SF4/200/3MPPC

Bespoke Soffits



Skyline Architectural Aluminium Soffit modules can be used to dramatic effect on projects providing texture and interest to ceilings and facades. They are ideal for applications where there is a requirement for highly individualistic design solutions.

Offering both practical functionality and architectural distinction, Skyline's bespoke soffit modules are made to measure and, when combined with Alumasc's unrivalled range of architectural aluminium product solutions, afford an exceptional degree of design freedom.

Design Solutions

Our experienced team can help at design stage to provide practical support on what can be achieved and ensure product specification and budget considerations fully align with client expectations.

Key characteristics

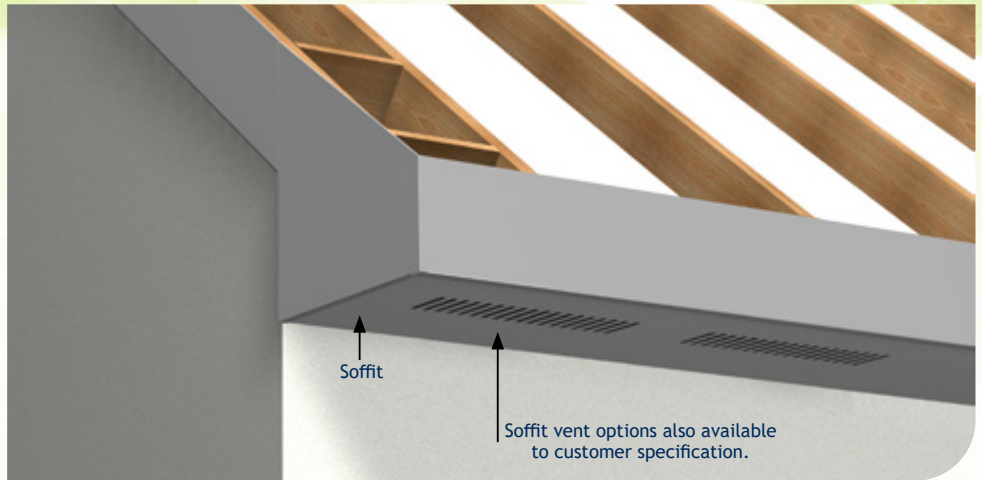
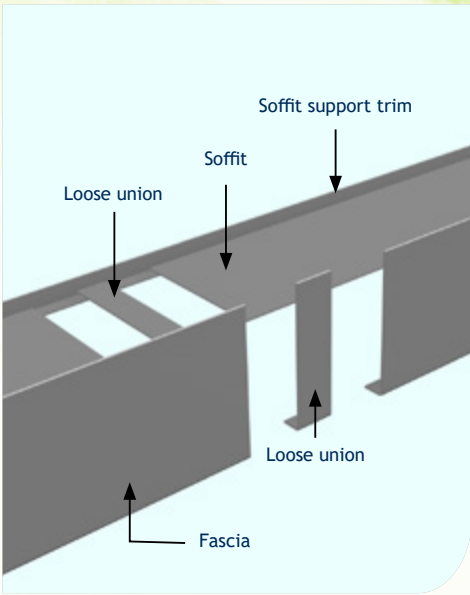
- Elegant, with clean lines which can be used to create a soft effect, or futuristic angular appearance
- Ideal for creating shadow lines in a building to visually articulate a gap or space between surfaces
- Distinctive – when combined with Alumasc’s Designer Fascia, virtually any shape can be achieved to meet the design brief of a specific project
- Practical and functional
- Alumasc can assist with CAD detailing if required – our experienced specialist in-house teams are always available to assist designers and installers
- Wide colour range of polyester powder coatings
- Long life and minimal maintenance
- Can be used on soffits, ceilings and facades to match or contrast with other design features such as windows, doors, columns and balconies



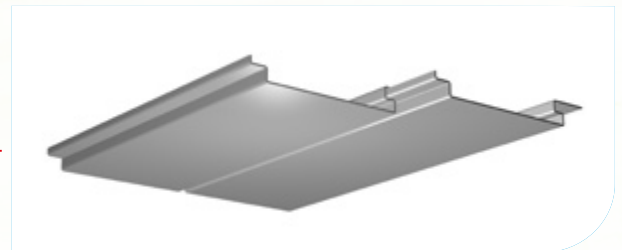
“We offer ultimate choice to our customers to suit their specific requirements and budgets.”



Soffit Installation Guide

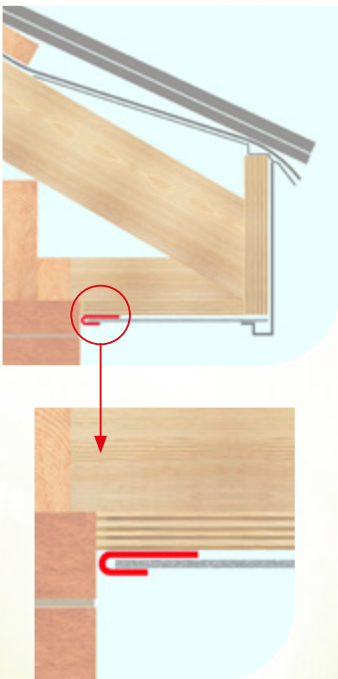


1. The installation of the soffit will vary based on the application and soffit type. Typically on a domestic application, the soffit panel consists of a flat aluminium profile (SOF0) and is installed prior to fascia installation.

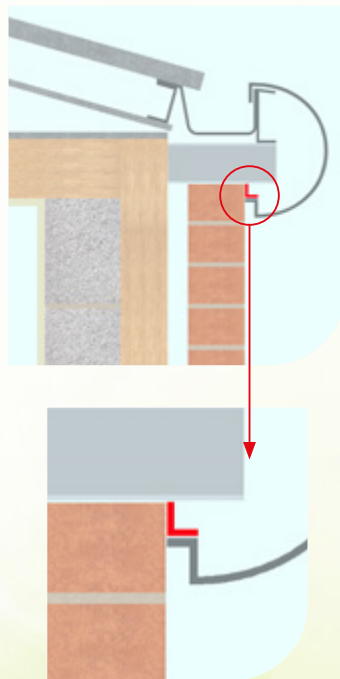


2. On larger schemes, where the soffit has a greater overhang, this typically requires a soffit plank that has secret fixings (SOF7) to give a clean unobtrusive design.

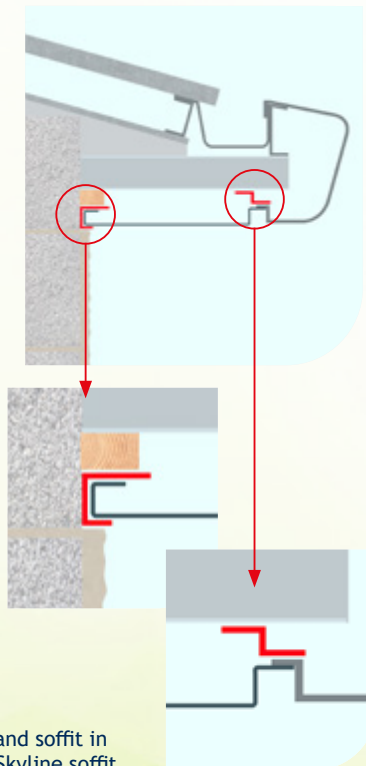
SCH2 - folded welt profile



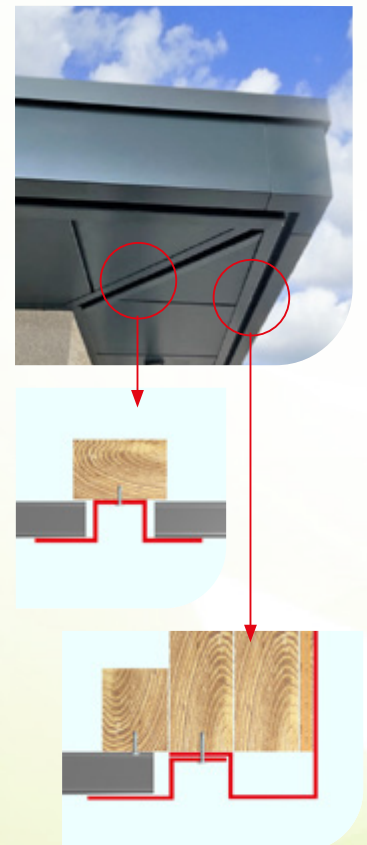
SCA1-1x bent profile trim



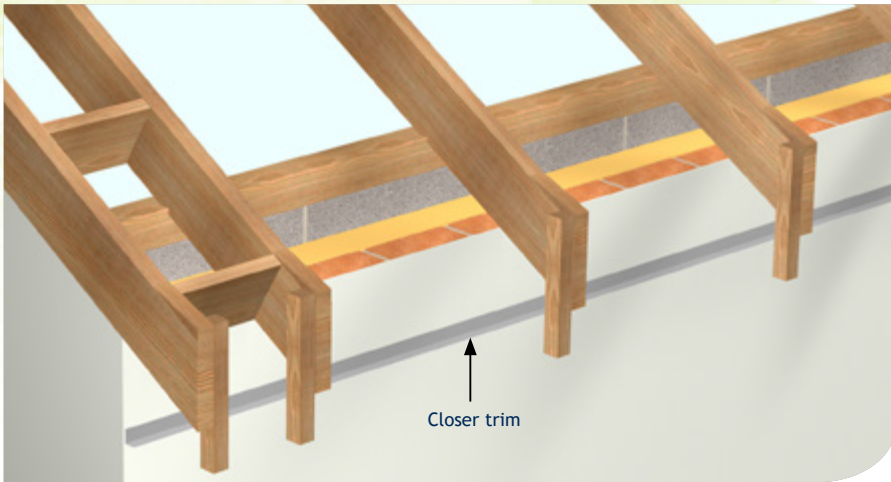
SCA2 - 2x bent profile trim



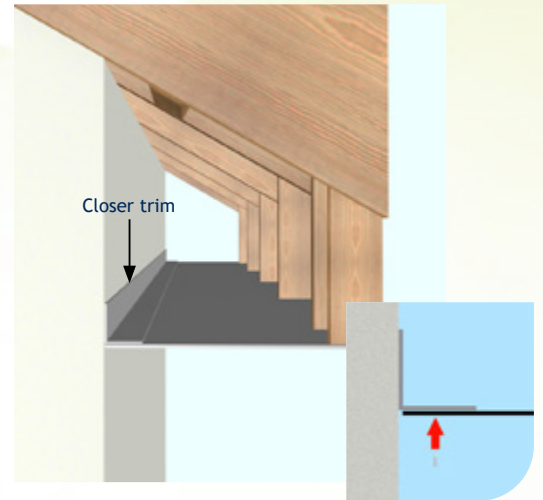
Corner and jointer trim



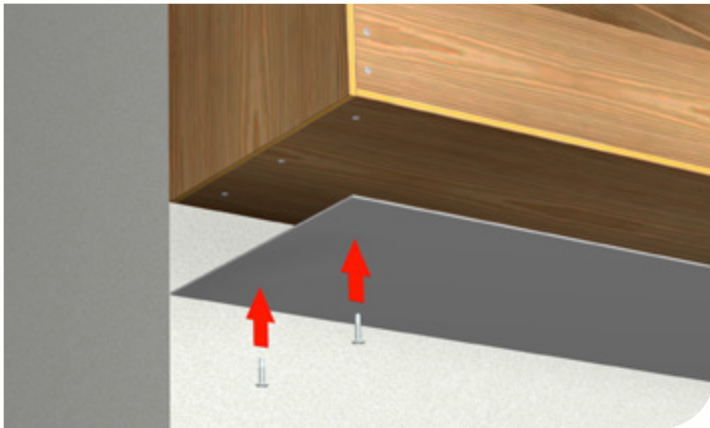
3. Closer trims may be required at the interface between the wall and soffit in applications where there is no plywood soffit board to which the Skyline soffit can be fixed. A selection of closer trims is available for such applications. For complex soffit detailing, closer trims can be purpose made to suit.



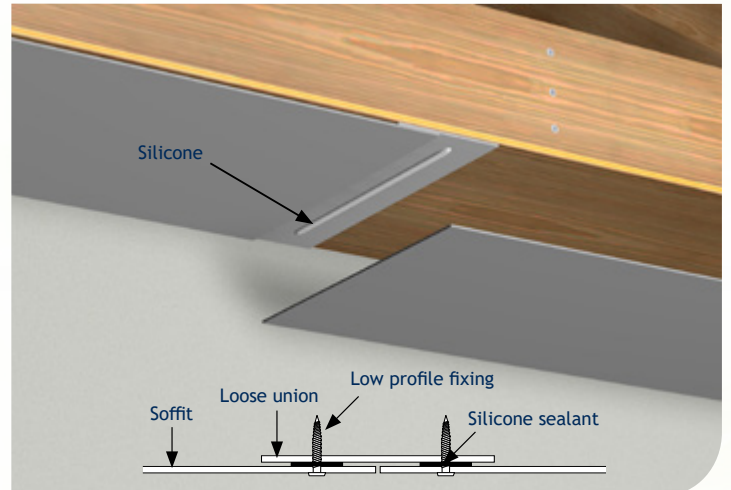
4. In applications where a closer trim is necessary, fix the trim securely to the wall at the point corresponding to the finished soffit level. Take care to use fixings appropriate to the wall substrate.



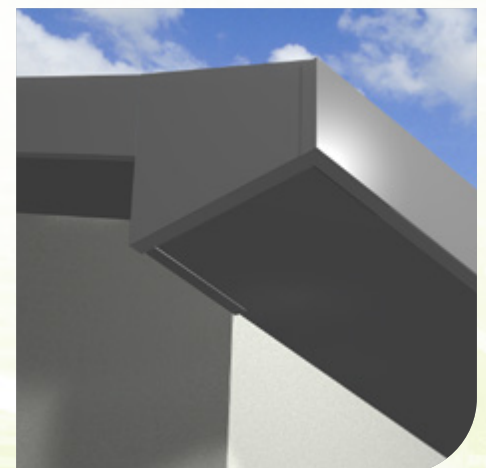
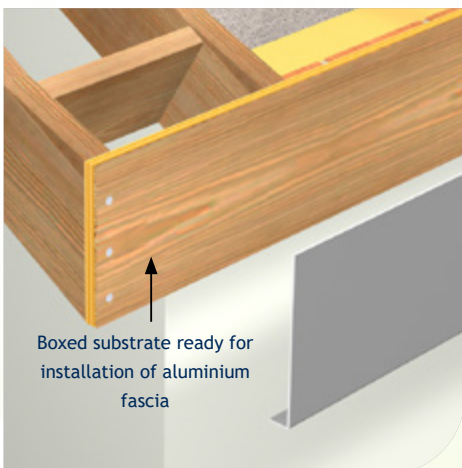
5. When fixing soffit to a closer trim, use high quality low profile 4.9 to 5.5 x 35mm stainless-steel fixings with washer.



6. If fixing onto solid boxed substrate, use good quality sherardised/cadmium plated screws, typically No12 x 38mm roundhead woodscrews or 4.9 to 5.5 x 35mm stainless-steel fixings with washer through oversized (8mm) or slotted holes (11 x 7mm) to allow for thermal movement and expansion. Generally, fix at maximum 600mm centres to substrate.



7. Proceed with overlaying the soffit lengths in sequence, taking care at each joint to leave an expansion gap. Use the loose union provided at each joint, applying a bead of silicone sealant before fixing.



8. Once soffit is installed, proceed with installation of fascia. Please refer to Skyline Fascia Installation Guide.



Flat & Sloping Coping

The Skyline Coping system is a tried and tested, economical and easily installed capping to upstands and parapets. The strap-fixing method avoids penetration of the capping, while allowing ventilation over the top of the wall. Skyline Copings are equally well suited to retrofit and new build projects.

Skyline Copings can be flat or sloping to throw off rainwater. A wide choice of standard solutions is available, with bespoke variable coping designs available to order.

Applications

- For totally secure and weatherproof capping to upstand parapets – fixing method does not penetrate the Skyline Coping
- Suitable for new build and retrofit
- Available in Flat or Sloping options to cater for all applications

Features and Performance

- Independently tested, under extreme wind loads, Skyline Coping met the required test standard of 6kPa (220mph) under static load conditions
- No fixings are visible on the surface of the Skyline Coping
- The fixing strap profile allows ventilation over the top of the wall while remaining weatherproof
- Material thickness and fixing mechanism gives excellent rigidity
- Lightweight, durable and non-corrodible
- Designed with 3-4mm gap between joints for thermal expansion – Coefficient of linear thermal expansion is 23×10^{-6} mm/m/oC
- Minimal maintenance required
- Life expectancy of aluminium: 40 years (rural/suburban areas); up to 25 years (industrial/marine areas)
- Aluminium is 100% recyclable

Manufacture

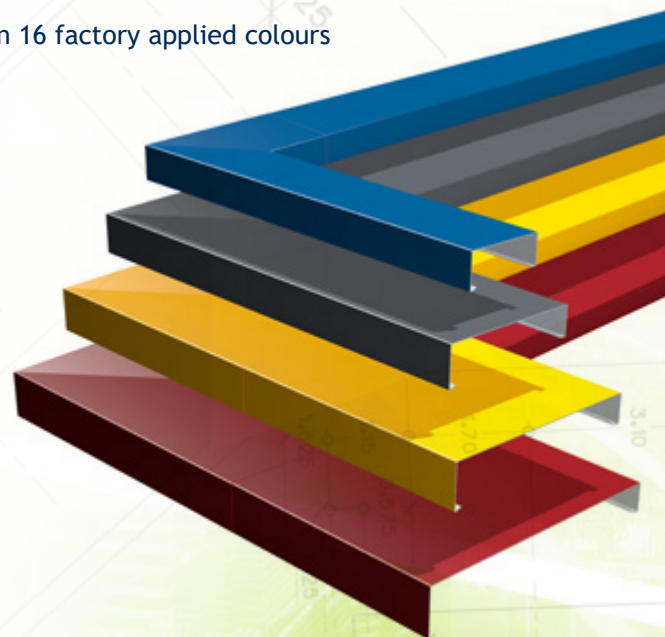
- Manufactured in the UK
- Fabricated from 2mm or 3mm thick aluminium alloy sheet, depending on width
- Fixing straps are pressed 3mm aluminium with extruded EPDM seals bonded to the top surface
- All fabricated fittings (90° corners, irregular corners, stop ends, closed ends, upstands, 90° tee junctions) are mitred, welded and have a smooth finish on the front face

Colours & Finishes

- BBA approved polyester powder coatings in 16 factory applied colours from our in-house powder coating facility
- Any BS or RAL colour available to order

Installation & Fixing

- Simple and quick to install
- In most cases fixing can be carried out from the roof, so no external access is required and therefore also ideally suited to renovation work
- A waterproof membrane over marine plywood will be required beneath the Skyline Coping to provide an effective waterproof seal

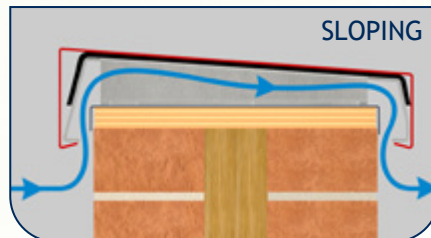
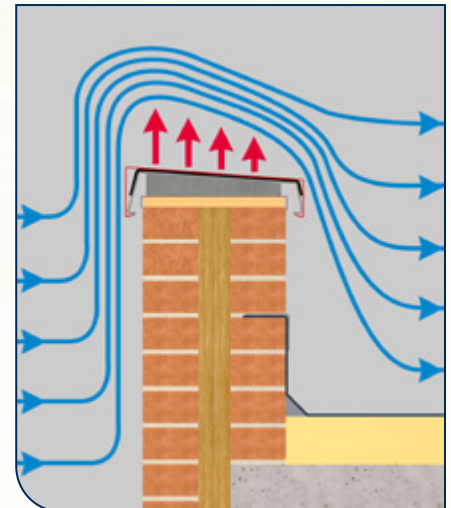
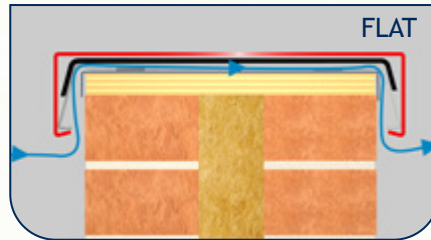
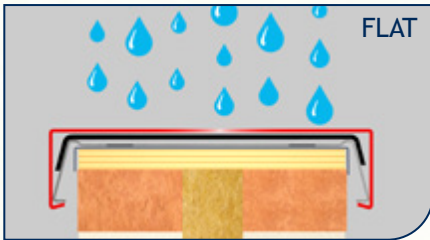


Coping Range Overview

Skyline Copings are available in two principal forms: flat, or sloping to direct rainwater back onto the roof surface. The drawings below illustrate key characteristics of Skyline Copings, both flat and sloping.

Bespoke variable coping can also be manufactured (see pages 78-79).

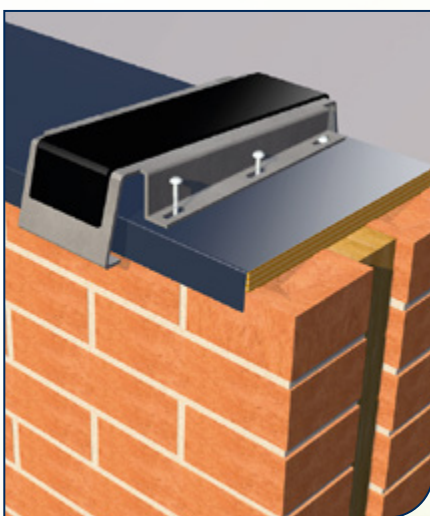
Skyline Copings exhibit the design and performance characteristics shown below.



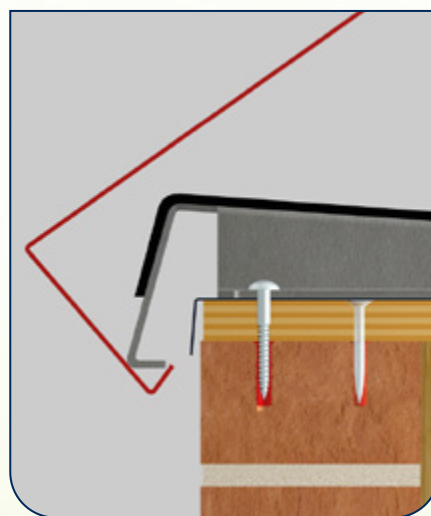
Protecting top of parapet walls from water ingress with drip to keep water from the wall surface. Sloping copings direct rainwater back onto the roof area and drainage outlets.

Designed to allow air flow over the top of parapet wall area in line with Building Regulations.

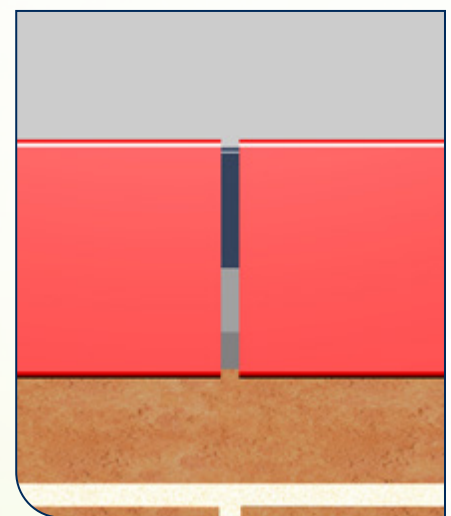
When tested under extreme wind loads, Skyline Coping Systems met the required test standard of 6kPa (220mph) under static load conditions.



Engineered aluminium bracket with integral fall (sloping coping).



Easy to install Skyline clip-fit system with no mechanical fixings, reducing the risk of water ingress (all copings).

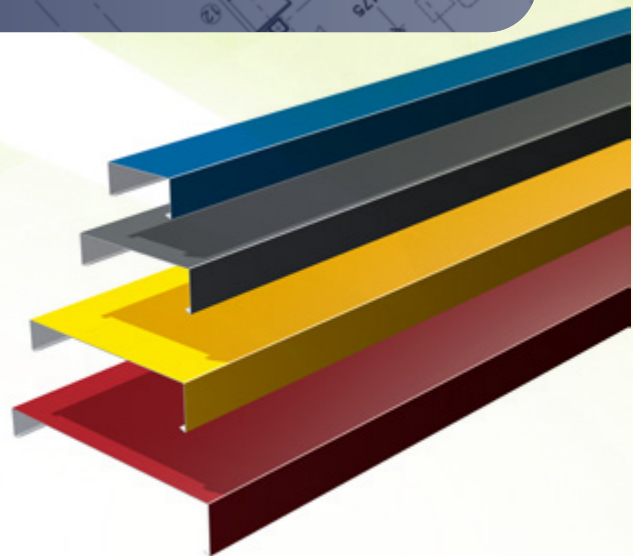


Integral EPDM bonded seal both seals and allows for expansion and contraction (all copings).

Standard Profiles

The two standard profiles (flat and sloping) are available in a choice of widths to suit different wall dimensions, and in an aluminium material thickness of 2mm and 3mm depending on coping width.

Bespoke Skyline Variable Copings can be fabricated to special order, including special fitting and radius elements.

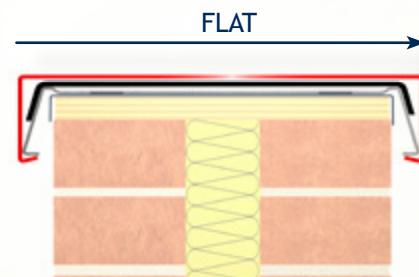


SL-Flat Coping

See page 70

A coping solution for parapet walls, typically used on low-rise buildings and applications where there is no requirement for falls.

The standard range of Flat Copings is available in 30mm increments to cover wall sizes from 91mm to 960mm thickness. Standard components comprise 3m coping lengths, angles, stop ends, T-junctions and upstands.

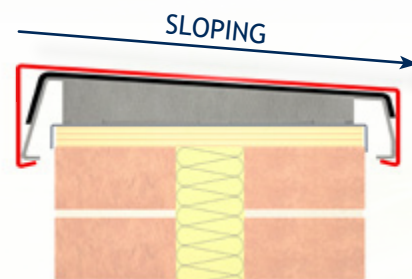


SC-Sloping Coping

See page 74

A coping solution for parapet walls where it is desirable to direct rainwater back onto the roof surface for drainage, with profiles available in the same choice of sizes and material thickness as Flat Copings. The Sloping Coping profile directs rainwater back onto the roof surface to a parapet gutter or to falls to flat roof rainwater outlets.

The standard range of Sloping Copings is available in 30mm increments to cover wall sizes from 91mm to 960mm. Standard components comprise 3m coping lengths, angles, stopends, T-junctions and upstands.

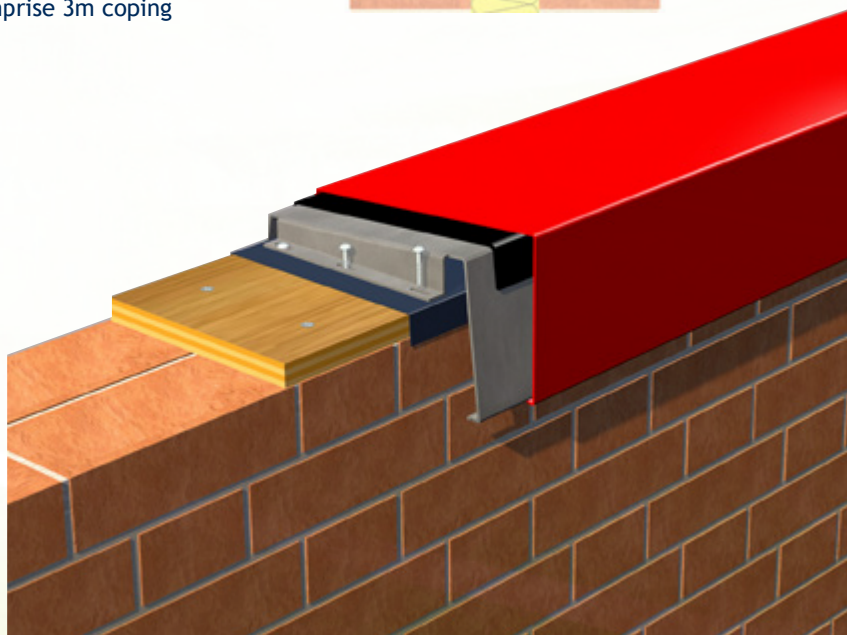


Bespoke-Variable Coping

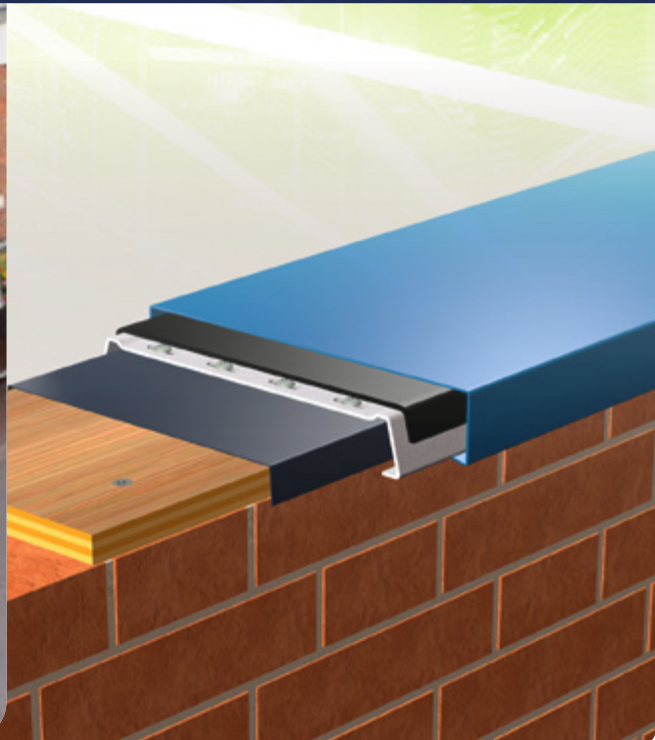
See page 78

Skyline Flat or Sloping Copings will suit the majority of parapet wall applications, with a coping solution that fully exploits the benefits of aluminium in building.

But for situations that are non-typical and where there is awkward site detailing, Alumasc can fabricate bespoke Skyline Architectural Aluminium Variable Copings and components to order.



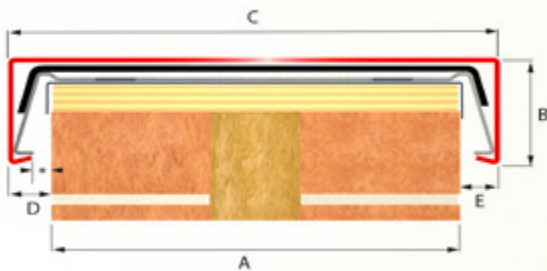
SL-Flat Coping



The standard range of flat copings is available in 30mm increments to cover wall sizes from 91mm to 960mm thickness. Standard components comprise 3m coping lengths, angles, stopends, T-junctions and upstands.

The Skyline Flat Coping has a level surface across its width with an 75mm downstand to the front and rear. Other sizes can be made to order; please contact the Skyline technical team on 01536 383810 for more information.

In addition to standard Skyline Copings, bespoke fabrication to order is also available for awkward site detailing.



- A : Finished wall thickness (see note 1)
- B : Coping height-75mm
- C : Coping width
- D : Front coping overhang-31mm recommended
- E : Rear coping overhang-variable (min 31mm)
- * : Approx 10mm

Note:
Walls should only be measured after all site finishes have been applied, i.e., rendering, cladding etc., and at regular intervals to ensure correct sizing.

How to choose your coping size:

1. Determine the finished wall thickness by measuring dimension A
2. Using the table on page 71, select the corresponding coping width and order code prefix

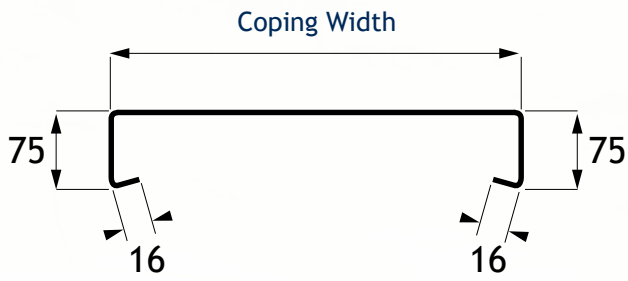
Example:
For 130mm wall thickness, choose:
121-150mm wall thickness = 212mm coping width = SL15 code prefix

Wall thickness (mm)	Coping Width (mm)	Code Prefix
91-120	182	SL12
121-150	212	SL15
151-180	242	SL18

To order, simply use the prefix code together with the required component suffix code on pages 72-73

Example: 90° external angle = SL15/90PPC

SL-Flat Coping Standard Sizes



Wall thickness (mm)	Coping Width (mm)	Material Thickness	Code Prefix
91-120	182	2 mm	SL12
121-150	212	2 mm	SL15
151-180	242	2 mm	SL18
181-210	272	2 mm	SL21
211-240	302	2 mm	SL24
241-270	332	2 mm	SL27
271-300	362	2 mm	SL30
301-330	392	2 mm	SL33
331-360	422	2 mm	SL36
361-390	452	2 mm	SL39
391-420	482	2 mm	SL42
421-450	512	3 mm	SL45
451-480	542	3 mm	SL48
481-510	572	3 mm	SL51
511-540	602	3 mm	SL54
541-570	632	3 mm	SL57
571-600	662	3 mm	SL60
601-630	692	3 mm	SL63
631-660	722	3 mm	SL66
661-690	752	3 mm	SL69
691-720	782	3 mm	SL72
721-750	812	3 mm	SL75
751-780	842	3 mm	SL78
781-810	872	3 mm	SL81
811-840	902	3 mm	SL84
841-870	932	3 mm	SL87
871-900	962	3 mm	SL90
901-930	992	3 mm	SL93
931-960	1022	3 mm	SL96

Product notes



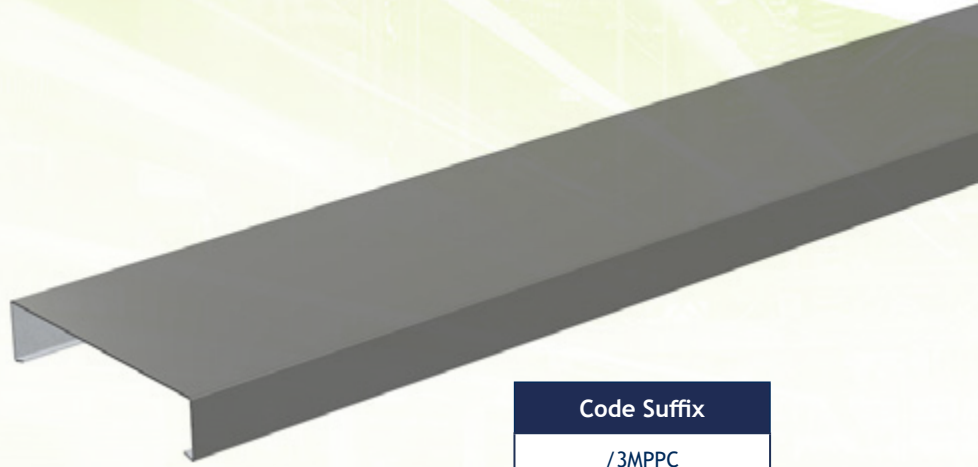
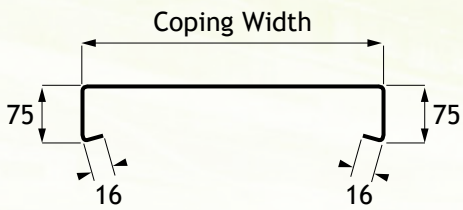
Fixing Straps

SL12 to SL51 Copings include 2 fixing straps
 SL54 to SL96 Copings include 3 fixing straps

Additional fixing straps may be required to satisfy project specification and for cut lengths.

SL-Flat Coping

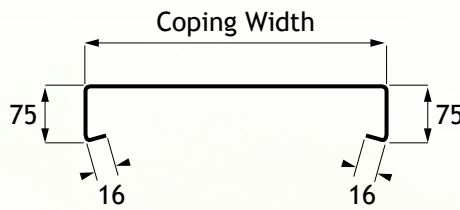
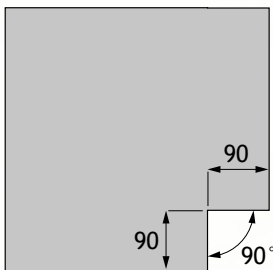
3m Length



SL12 to SL51 Copings include 2 fixing straps
SL54 to SL96 Copings include 3 fixing straps

Code Suffix
/3MPPC

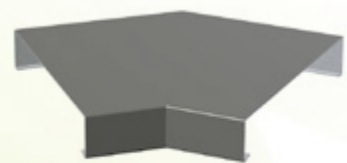
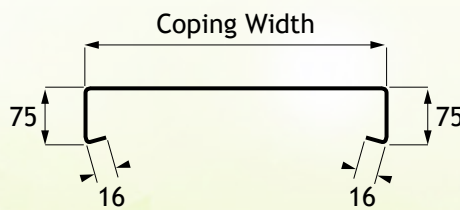
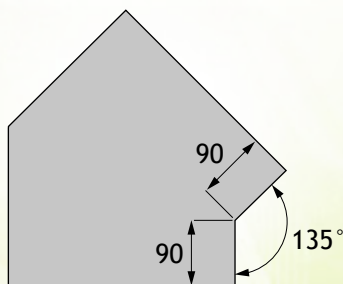
90° Angles



Note: Includes 1.5 fixing strap.

Code Suffix
/90PPC

135° Angles



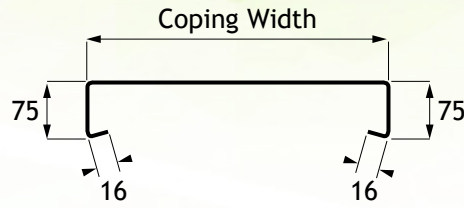
Note: Includes 1.5 fixing strap.

Code Suffix
/135PPC

Stop Ends



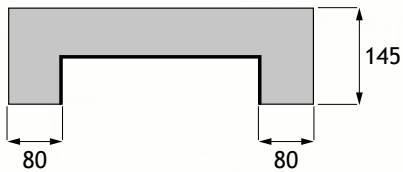
Note: Includes 1 fixing strap.



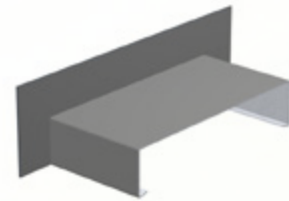
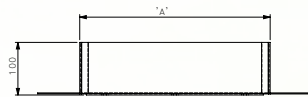
Code Suffix

/CS90PPC

Upstands



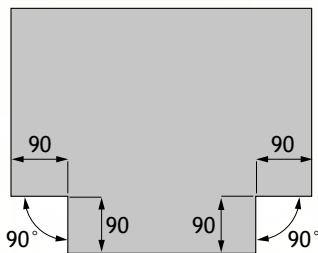
Note: Includes 1 fixing strap.



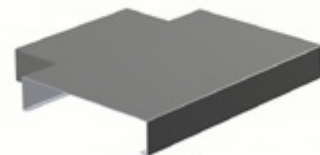
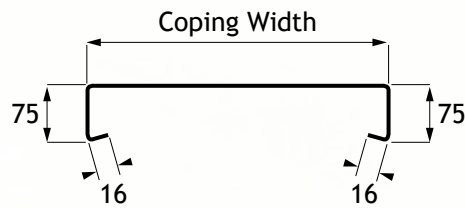
Code Suffix

/US90PPC

T-Junctions



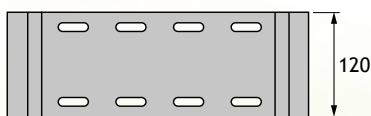
Note: Includes 2 fixing straps.



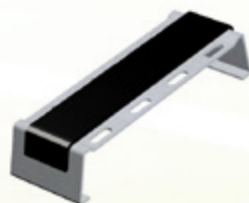
Code Suffix

/TJ90PPC

Fixing Strap



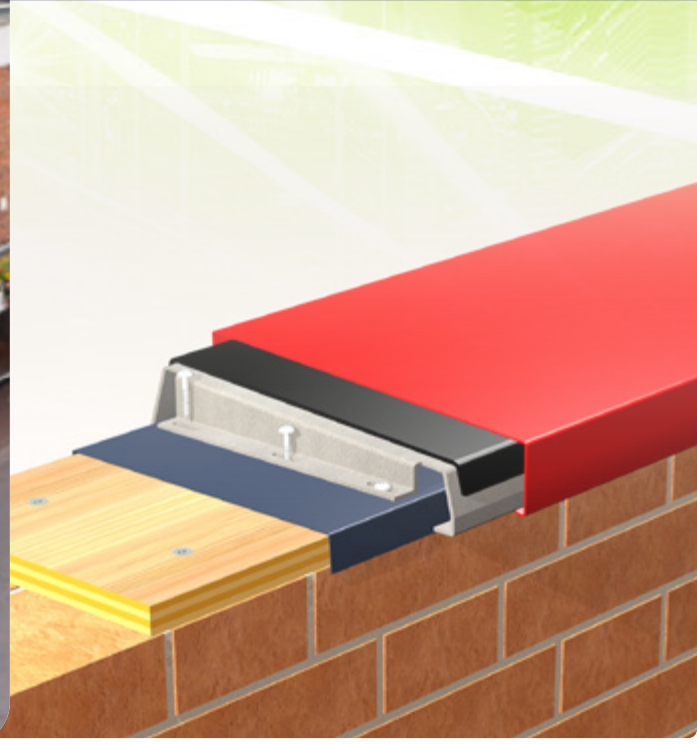
- All fittings supplied complete with fixing strap
- Additional fixing straps available to order using suffix code /FSPPC



Code Suffix

/FSPPC

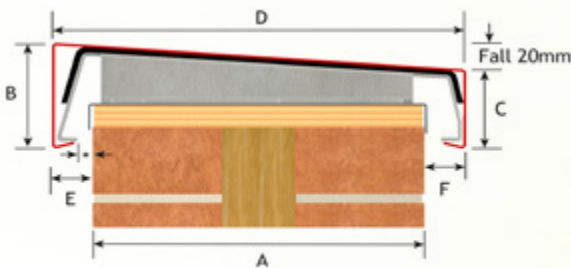
SC-Sloping Coping



The standard range of Sloping Copings is available in 30mm increments to cover wall sizes from 91mm to 960mm thickness. Standard components comprise 3m coping lengths, angles, stopends, T-junctions and upstands.

The Skyline Sloping Coping has a slope of 20mm across its width with an 85mm downstand to the front and 65mm downstand to the rear. Other sizes can be made to order; please contact the Skyline technical team on 01536 383810 for more information.

In addition to standard Skyline copings, bespoke fabrication to order is also available for awkward site detailing.



- A : Finished wall thickness (see note 1)
- B : Front coping height-85mm
- C : Back coping height-65mm
- D : Coping width
- E : Front coping overhang-31mm recommended
- F : Rear coping overhang-31mm recommended
- * : Approx 10mm

Note:
Walls should only be measured after all site finishes have been applied i.e rendering, cladding etc and at regular intervals to ensure correct sizing

How to choose your coping size:

1. Determine the finished wall thickness by measuring dimension A
2. Using the table on page 75, select the corresponding coping width and order code prefix

Example:

For 130mm wall thickness, choose:

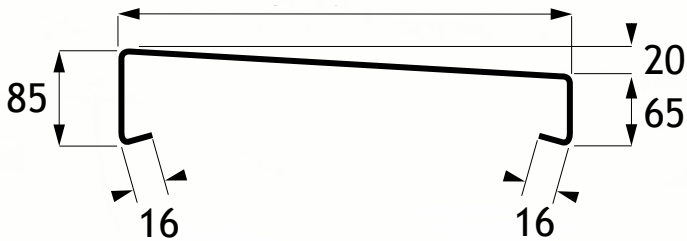
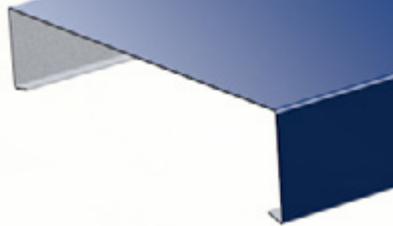
121-150mm wall thickness = 212mm coping width = SC15 code prefix

Wall thickness (mm)	Coping Width (mm)	Code Prefix
91-120	182	SC12
121-150	212	SC15
151-180	242	SC18

To order, simply use the prefix code together with the required component suffix code on pages 76-77.

Example: 90° External Angle = SC15/EA90PPC

SC-Sloping Coping Standard Sizes



Wall thickness (mm)	Coping Width (mm)	Material Thickness	Code Prefix
91-120	182	2mm	SC12
121-150	212	2mm	SC15
151-180	242	2mm	SC18
181-210	272	2mm	SC21
211-240	302	2mm	SC24
241-270	332	2mm	SC27
271-300	362	2mm	SC30
301-330	392	2mm	SC33
331-360	422	2mm	SC36
361-390	452	2mm	SC39
391-420	482	2mm	SC42
421-450	512	3mm	SC45
451-480	542	3mm	SC48
481-510	572	3mm	SC51
511-540	602	3mm	SC54
541-570	632	3mm	SC57
571-600	662	3mm	SC60
601-630	692	3mm	SC63
631-660	722	3mm	SC66
661-690	752	3mm	SC69
691-720	782	3mm	SC72
721-750	812	3mm	SC75
751-780	842	3mm	SC78
781-810	872	3mm	SC81
811-840	902	3mm	SC84
841-870	932	3mm	SC87
871-900	962	3mm	SC90
901-930	992	3mm	SC93
931-960	1022	3mm	SC96

Product notes



Fixing Straps

SC12 to SC51 Copings include 2 fixing straps
 SC54 to SC96 Copings include 3 fixing straps

Additional fixing straps may be required to satisfy project specification and for cut lengths.

SC-Sloping Coping

3m Length

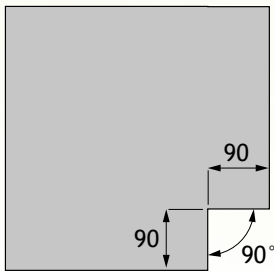


Code Suffix

/3MPPC

SC12 to SC51 Copings include 2 fixing straps
SC54 to SC96 Copings include 3 fixing straps

90° Angles



Code Suffix

External

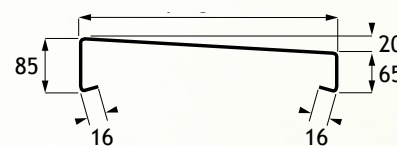
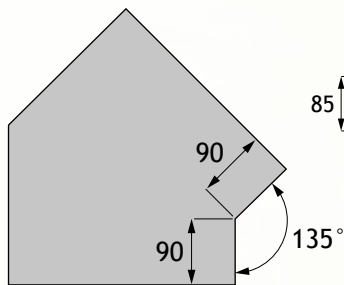
Internal

/EA90PPC

/IA90PPC

Note: Includes 1.5 fixing straps

135° Angles



Code Suffix

External

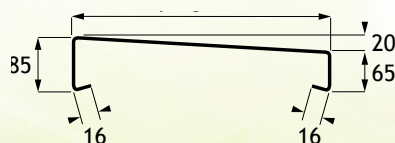
Internal

/EA135PPC

/IA135PPC

Note: Includes 1.5 fixing straps

Stop Ends



Code Suffix

Left Hand

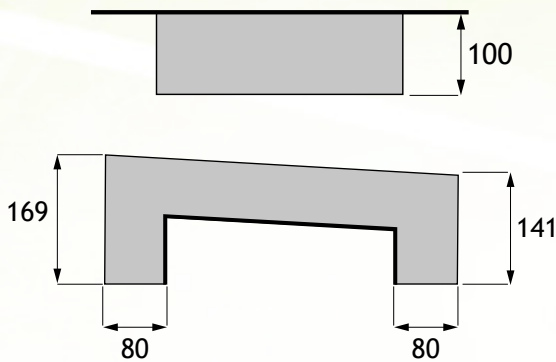
Right Hand

/LHCS90PPC

/RHCSPPC

Note: Includes 1 fixing straps

Upstands

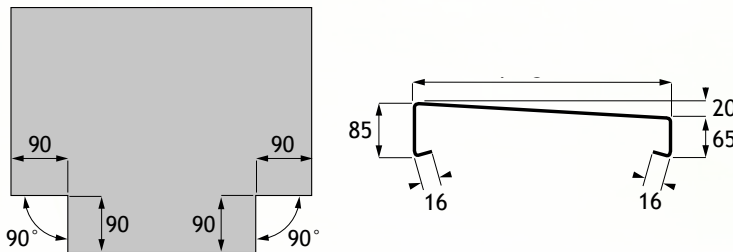


Note: Includes 1 fixing straps



Code Suffix	
Left Hand	Right Hand
/LHUSPPC	/RHUSPPC

Tee Junctions

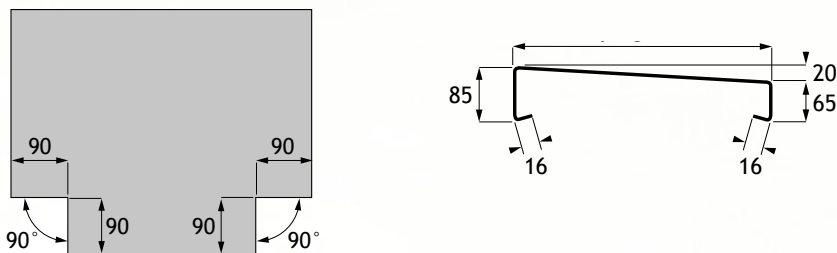


Note: Includes 1 fixing straps

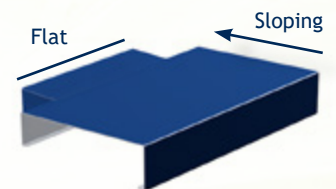


Code Suffix	
Left Hand	Right Hand
/LHTJPPC	/RHTJPPC

Sloped to Flat T-Junction

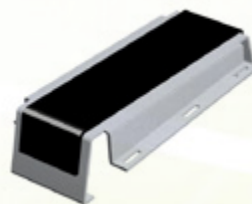
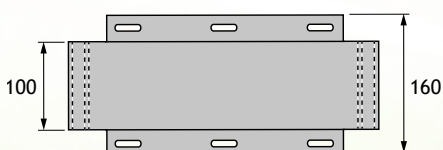


Note: Includes 2 fixing straps



Code Suffix
Sloped to Flat
/FLTJPPC

Fixing Strap



Code Suffix
Sloped to Flat
/FSPPC

- All fittings supplied complete with fixing strap
- Additional fixing straps available to order using suffix code /FSPPC

Bespoke and Variable Copings

Skyline Architectural Aluminium Copings, from our standard ranges of flat and sloping copings, offer readily available profiles and associated components which are ideal for a vast number of typical and commonly encountered situations. In such cases, our standard coping ranges deliver high quality and cost effective roof edge detailing perfectly suited to different building types across all sectors.

But when a project demands a more unique alternative coping solution, we can respond to any bespoke manufacturing requirement

When something is required that is not covered by our standard SL-Flat Coping or SC-Sloping Coping ranges, we can manufacture a bespoke coping solution that is custom made to your exact specification.

Our bespoke service gives customers the ultimate in flexibility at differing levels of cost. It is possible to opt for a standard coping profile, but with purpose made fittings to accommodate specific design requirements. Or, we can offer fully bespoke, wholly customised solutions manufactured to order.

This gives our customers an exceptional level of choice to meet differing design requirements and project budgets.



Hybrid Bespoke Solutions

It could be that a customer wishes to use standard profiles but requires specially fabricated fittings to accommodate unusual contours of a building. Or a fully bespoke solution may be required.

It is not unusual for projects to have two or three differing wall widths, which then require transition piece components at the points where wall width changes. There are many situations in which a client wishes to use standard Skyline SC or SL copings in non-standard ways that require bespoke fittings made to order by Alumasc. Some examples of such applications involving specially fabricated components are outlined below.

Radius Coping

Used where the wall fixing is radiused, there are two options. One is the faceted radius solution, which is cut and mitred and has a flat, angular appearance; this option is often favoured on grounds of cost effectiveness. The other possibility is a coping solution fabricated to follow a true radius curve.

Inclined Angles

These are specially fabricated for use when a coping transitions from level to an incline.

Transition Angles

Made to order for coping runs where a standard coping transitions in width to accommodate a change in the width of the wall.

Dog Leg Angles

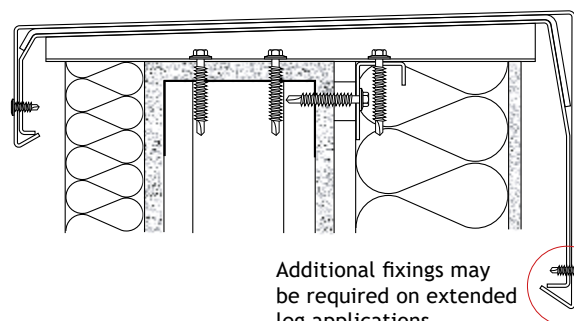
Specially fabricated to accommodate changes of direction in a coping run where using combinations of standard components is not feasible.

Fully Bespoke Solutions

A Skyline fully bespoke coping solution means that every element of the coping installation is purpose made. This includes manufacture of coping profiles with dimensions outside our standard ranges. Sloping copings to any desired angle of incline can be manufactured, and special fabrications can be produced to cope with awkward detailing.



Extended Leg Detail



“We offer ultimate choice to our customers to suit their specific requirements and budgets.”

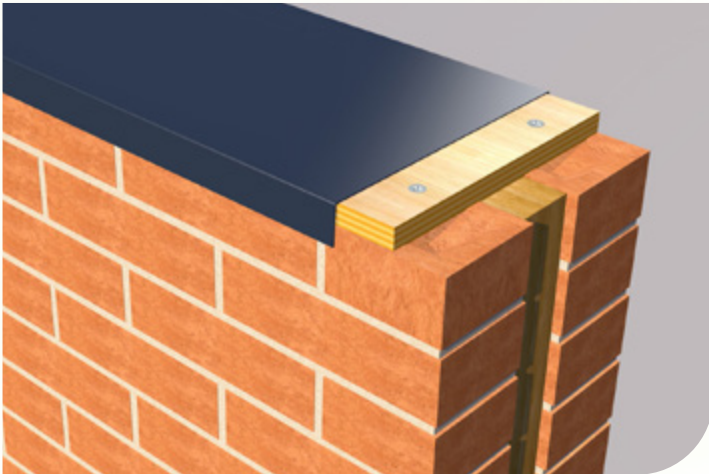
Coping Installation Guide

General

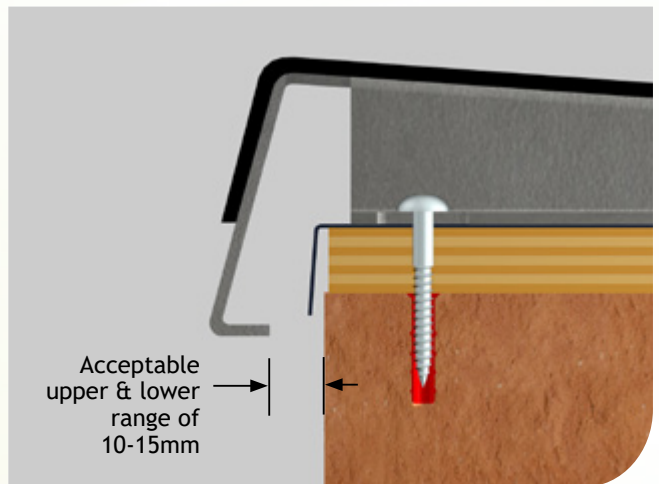
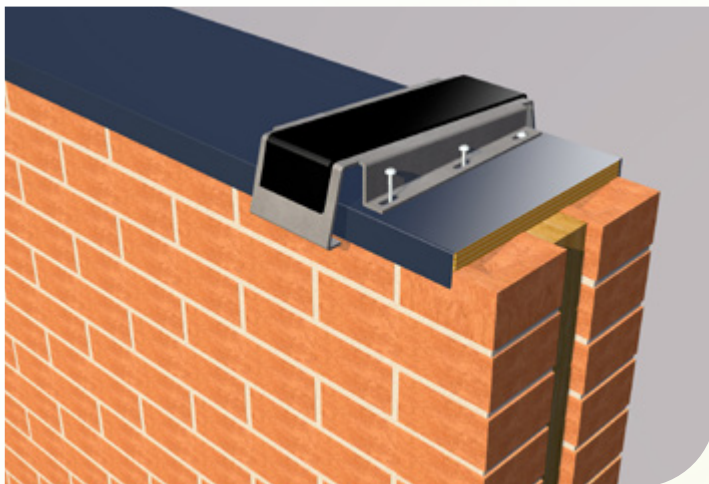
Ensure that the substrate is sound and secure. Any levelling and alignment of the background material should be done prior to installation of the coping system; this will help components align and fit properly during installation. Start by fixing corners and T-junctions, aligning the front edge of the coping to give a straight line. This will ensure all joints line up correctly during installation.

Fixings

Screw fixings are not supplied. Only use high quality fixings and ensure fixings are suitable for the substrate. For advice, contact our Technical Service Team on 01536 383810.

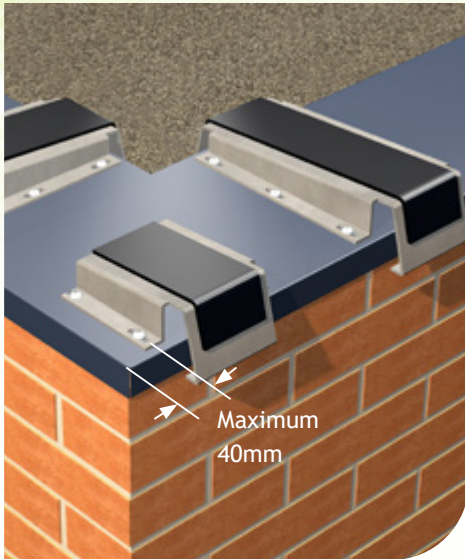


1. Ensure minimum 18mm marine ply and weatherproof membrane is fitted to the structure before commencing with the installation (all supplied by others).
2. Skyline Sloping Coping is manufactured with an integral 20mm fall. Always install with the fall sloping towards the roof area. This ensures that rainwater run-off will be directed back onto the roof area.

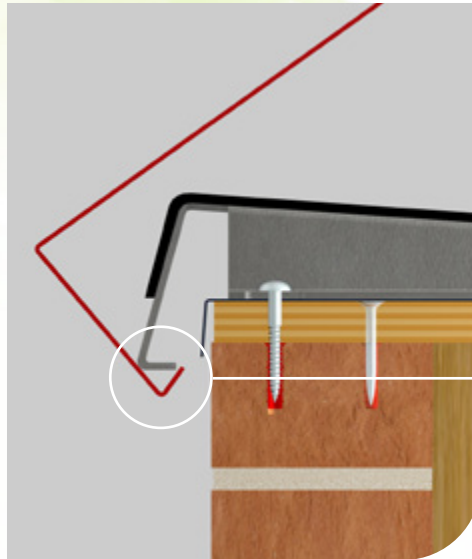


3. Position bracket with EPDM seal centrally over the wall. Maintain a minimum 10mm gap from the bracket inside return edge to the external wall surface finish (see Point 4 and also refer to Point 7). Brackets should be spaced at the correct centres according to the recommended number of brackets (please refer to Skyline technical data for information).
4. Secure coping bracket with high quality fixing (minimum 50mm) appropriate for the substrate. The bracket has pre-drilled fixing holes which are provided as guidance only. Use the outermost fixing points to ensure maximum anchor point of the bracket to the wall. If fixings penetrate the masonry below, then ensure that the fixing is sufficiently back from the face to avoid damaging the masonry.

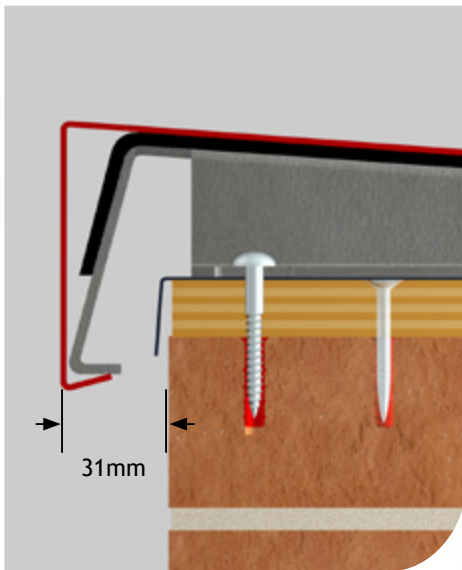
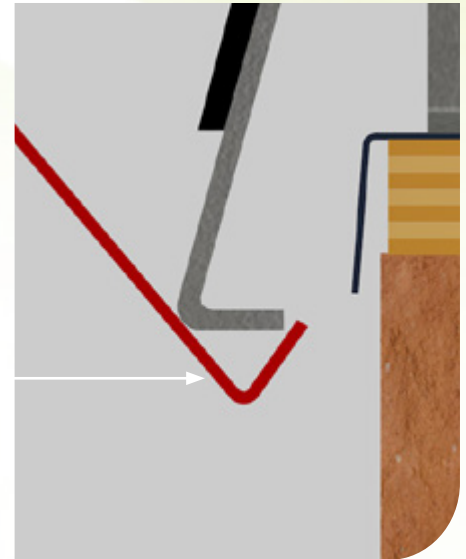
Note: The coping bracket should be installed at maximum 1.5m centres or as recommended based on wind uplift calculations or coping size. Additional screw fixings will be required on a wide wall coping.



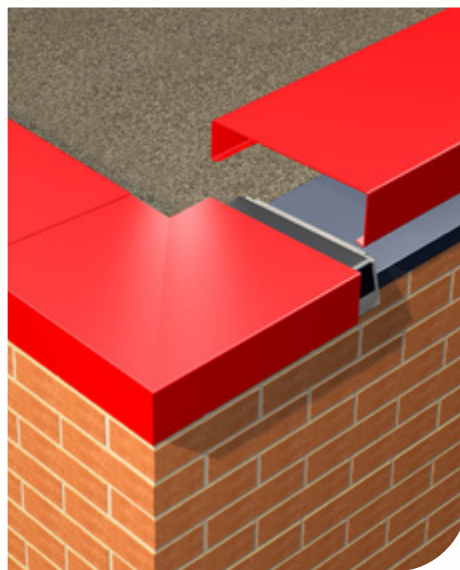
- 5.** Always secure additional half brackets for corners and piers – the first fixing point with a maximum of 40mm from the external wall finish.



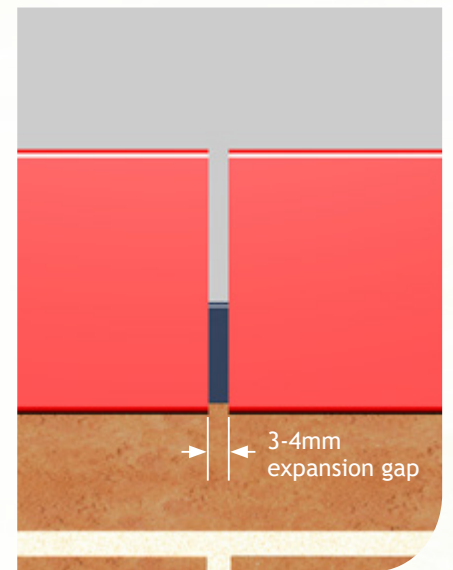
- 6.** The coping simply pivots over the coping brackets and clips into position. First locate the front edge, and pivot over the bracket whilst slowly pressing the coping section into place to compress the EPDM seal on the brackets. Expect some resistance and apply consistent pressure and continue to press until it clips over the other edge of the bracket. The same method applies to corners, T-junctions and stop ends.



- 7.** Ensure 31mm dimension is maintained from external wall surface finish to external face of coping. On deeper edged coping that exceeds the normal 85mm leg, it may be necessary to use a small self-tapper on the coping return to secure it fully.



- 8.** Start at a corner working to your next junction. The last section of coping can be cut down on site to accommodate any variant dimensions between corner, pier and stop ends. Use touch-up paint on cut edges. When cutting, make sure to use the correct metalwork tools to obtain a clean cut and dress any sharp burr edges.



- 9.** Maintain a 3-4mm expansion gap at all joints.



Window Surrounds

The Skyline range of aluminium window surrounds offers everything needed for that perfect element of detail to create striking, contemporary architectural facades.

Specifiers and designers can choose from kits of Skyline Architectural Aluminium Window Pods, which include surround solutions for standard windows, multiple storey, and corner applications.

Alternatively, we can manufacture purpose designed window surrounds to perfectly match your own vision and specification.

Skyline Window Surrounds provide a robust, ecological solution for low maintenance and lifetime value in a choice of systems that are visually attractive and easy to install. Skyline Window Surrounds are suitable for both new build and retrofit applications.

Our window surrounds integrate perfectly with other attractive and durable products in the Skyline Architectural Aluminium range.

Applications

- Suitable for new build or retrofit
- Flat facade or corner applications

Features & Performance

- Standard components in kit form are lightweight, durable and easy to handle
- Integrate perfectly with other products in the Skyline range
- Two standard kits or fully bespoke if required
- Option to create modular window surround designs from components sourced separately from standard kits
- Two cill designs are also available
- Minimal maintenance required
- Life expectancy of aluminium: 40 years (rural/suburban areas); up to 25 years (industrial/marine areas)
- Aluminium is 100% recyclable

Manufacture

- Manufactured entirely in the UK in 2mm aluminium sheet

Colours & Finishes

- BBA approved polyester powder coatings in 26 factory applied colours from our in-house powder coating facility
- Any BS or RAL colour available to order

Installation & Fixing

- Standard kits delivered to site with all necessary components ready for installation
- Eliminates costly boxing/joinery
- Innovative bracket design that allows fixing direct to the building facade

Window Surround Kits



Also available:
Window Cills
See page 96



Window Surrounds Range Overview

Architectural Aluminium Window Pods combine the functionality of a traditional window with special features of detailing for that ultimate contemporary design aesthetic. Our window pods can add visual interest, variety and colour to a building façade.

Key Features

Innovative Fixing Bracket



- Easy to install complete kits with innovative bracket design that allows for fixing direct to the building façade
- Robust 3mm thick aluminium bracket
- Eliminates the requirement for costly boxing/joinery
- Wall fixing support brackets with cantilever design and wide fixing surface area for ease of installation



Deeline & Slimline

- Scope for designers and specifiers to make a variety of visual statements from subtle to bold modernism
- Adds visual interest and appeal to the building façade, creating a distinctive architectural design aesthetic
- Equally well suited for new build or retrofit to improve older buildings by breathing new life into tired and dated façades



Modular Components

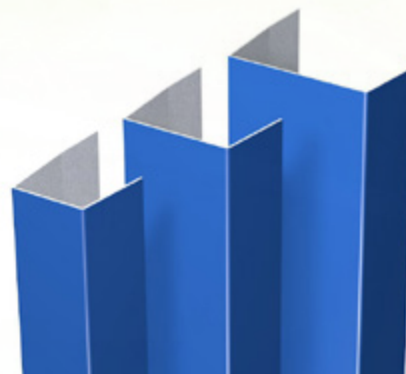
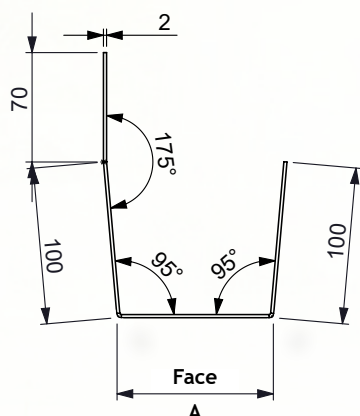
- Universal corners
- Flexibility through modular component design solutions
- Available in pre-packet kits - see pages 90-91

- Made from 2mm non-combustible aluminium sheet
- Robust powder coated finish
- Long life and low maintenance

Skyline Window Pod Kits are offered in a range of standard sizes with a face dimension of 100mm, 150mm or 200mm. The Deepline kits, with a more pronounced 100mm projection, are ideal where a bold, more robustly defined architectural effect is required at openings in the building façade. Slimline kits have a projection of 50mm for a softer, subtle visual effect.

Deepline Kits

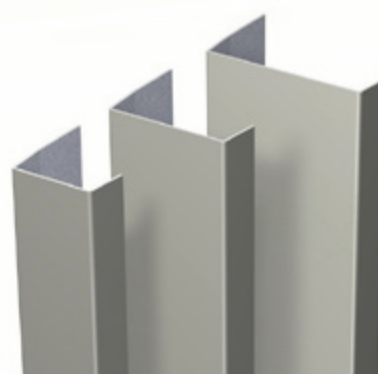
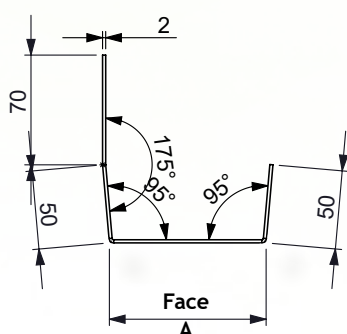
See page 86



Face (A) (mm)	Projection (mm)
100	100
150	100
200	100

Slimline Kits

See page 88



Face (A) (mm)	Projection (mm)
100	50
150	50
200	50

Modular Components

See page 90

Our Skyline Modular Component Solutions offer a further range of choice to specifiers and end-users who wish to create their own window surround designs using standard components sourced individually from our window pod kits.

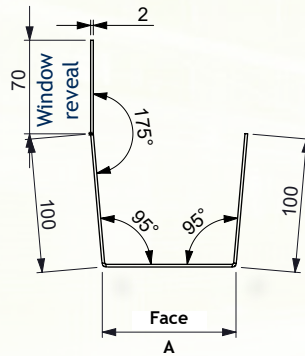
When ordering components, please be sure to order the correct number of fixing brackets for your installation. We recommend that a bracket is used at each corner and at 750mm maximum intervals (refer to installation instruction for guidance).

Deepline Window Surrounds



The standard range of Skyline Deepline Window Surround Kits is an ideal choice when designers wish to make a strong architectural statement. The pronounced 100mm projection creates a strong and dramatic visual effect to the modelling around openings in a building façade.

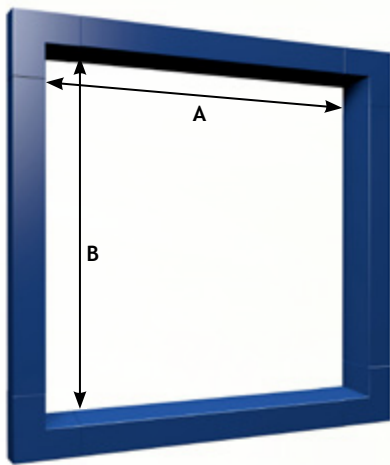
Each Deepline window pod kit is supplied with all necessary components to ensure fast and straightforward installation.



Face (A) (mm)	Projection (mm)
100	100
150	100
200	100

All components supplied in one colour-please specify colour when ordering

Square Window Pod Kits



Kit includes: Corners, Lengths & Brackets

Product notes

- All kits supplied unassembled
- Supplied complete with fixing brackets
- Fixings not supplied - please refer to installation guide for information
- Sealant not supplied - Dow Corning 791 recommended, refer to installation guide for information
- Straight lengths can be cut to length on site to suit window size
- Standard window surrounds have a 70mm window reveal, other sizes can be made to order

Window Pod Kit 1212-1.2m x 1.2m

Product	Max Window Opening (A x B) (mm)	Product Code
Deepline 100	1200 x 1200	WP10/1212PPC
Deepline 150	1200 x 1200	WP15/1212PPC
Deepline 200	1200 x 1200	WP20/1212PPC

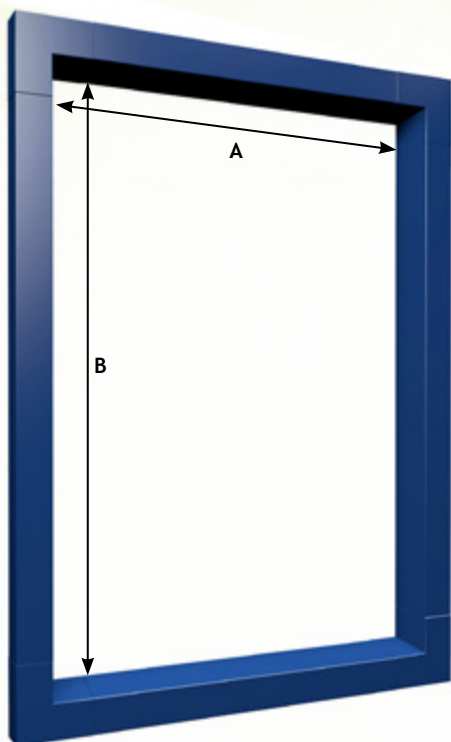
Window Pod Kit 2222-2.2m x 2.2m

Product	Max Window Opening (A x B) (mm)	Product Code
Deepline 100	2200 x 2200	WP10/2222PPC
Deepline 150	2200 x 2200	WP15/2222PPC
Deepline 200	2200 x 2200	WP20/2222PPC

Window Pod Kit 3232- 3.2m x 3.2m

Product	Max Window Opening (A x B) (mm)	Product Code
Deepline 100	3200 x 3200	WP10/3232PPC
Deepline 150	3200 x 3200	WP15/3232PPC
Deepline 200	3200 x 3200	WP20/3232PPC

Rectangular Window Pod Kits



Kit includes: Corners, Lengths & Brackets
See product notes page 86

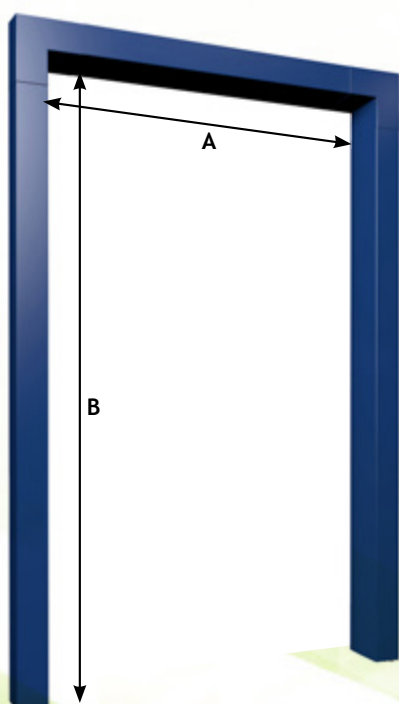
Window Pod Kit 712 - 0.7m x 1.2m		
Product	Max Window Opening (A x B) (mm)	Product Code
Deepline 100	700 x 1200	WP10/712PPC
Deepline 150	700 x 1200	WP15/712PPC
Deepline 200	700 x 1200	WP20/712PPC

Window Pod Kit 1217 - 1.2m x 1.7m		
Product	Max Window Opening (A x B) (mm)	Product Code
Deepline 100	1200 x 1700	WP10/1217PPC
Deepline 150	1200 x 1700	WP15/1217PPC
Deepline 200	1200 x 1700	WP20/1217PPC

Window Pod Kit 1222 - 1.2m x 2.2m		
Product	Max Window Opening (A x B) (mm)	Product Code
Deepline 100	1200 x 2200	WP10/1222PPC
Deepline 150	1200 x 2200	WP15/1222PPC
Deepline 200	1200 x 2200	WP20/1222PPC

Window Pod Kit 2232 - 2.2m x 3.2m		
Product	Max Window Opening (A x B) (mm)	Product Code
Deepline 100	2200 x 3200	WP10/2232PPC
Deepline 150	2200 x 3200	WP15/2232PPC
Deepline 200	2200 x 3200	WP20/2232PPC

Door Pod Kits



Door Pod Kit 1222 - 1.2m x 2.1m		
Product	Max Door Opening (A x B) (mm)	Product Code
Deepline 100	1200 x 2100	DP10/1222PPC
Deepline 150	1200 x 2100	DP15/1222PPC
Deepline 200	1200 x 2100	DP20/1222PPC

Door Pod Kit 2222 - 2.2m x 2.1m		
Product	Max Door Opening (A x B) (mm)	Product Code
Deepline 100	2200 x 2100	DP10/2222PPC
Deepline 150	2200 x 2100	DP15/2222PPC
Deepline 200	2200 x 2100	DP20/2222PPC

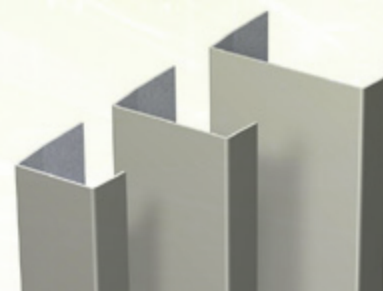
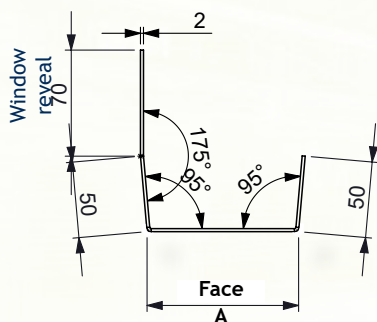
Kit includes: Corners, Lengths & Brackets
See product notes page 86

Slimline Window Surrounds



Skyline Slimline Window Surround Kits are an alternative to the standard Deepline kits when a more subtle visual effect is wanted. The 50mm projection is markedly less pronounced than the 100mm projection of Deepline kits, and the overall visual effect is softer.

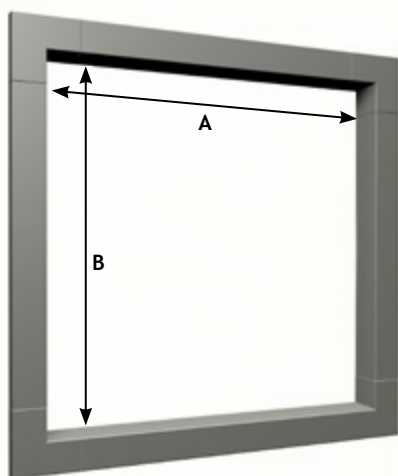
Each Slimline window pod kit is supplied with all necessary components to ensure fast and straightforward installation.



Face (A) (mm)	Projection (mm)
100	50
150	50
200	50

All components supplied in one colour-please specify colour when ordering.

Square Window Pod Kits



Kit includes: Corners, Lengths & Brackets

Window Pod Kit 1212- 1.2m x 1.2m		
Product	Max Window Opening (A x B) (mm)	Product Code
Slimline 100	1200 x 1200	WPS10/1212PPC
Slimline 150	1200 x 1200	WPS15/1212PPC
Slimline 200	1200 x 1200	WPS20/1212PPC

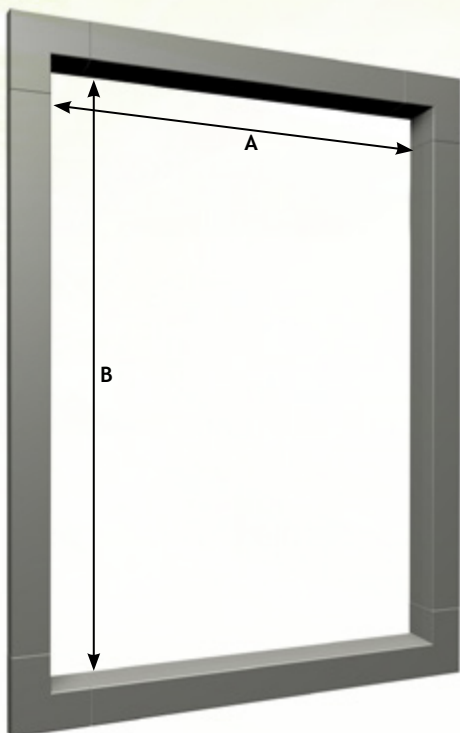
Window Pod Kit 2222-2.2m x 2.2m		
Product	Max Window Opening (A x B) (mm)	Product Code
Slimline 100	2200 x 2200	WPS10/2222PPC
Slimline 150	2200 x 2200	WPS15/2222PPC
Slimline 200	2200 x 2200	WPS20/2222PPC

Product notes

- All kits supplied unassembled
- Supplied complete with fixing brackets
- Fixings not supplied - please refer to installation guide for information
- Sealant not supplied - Dow Corning 791 recommended, refer to installation guide for information
- Straight lengths can be cut to length on site to suit window size
- Standard window surrounds have a 70mm window reveal, other sizes can be made to order

Window Pod Kit 3232- 3.2m x 3.2m		
Product	Max Window Opening (A x B) (mm)	Product Code
Slimline 100	3200 x 3200	WPS10/3232PPC
Slimline 150	3200 x 3200	WPS15/3232PPC
Slimline 200	3200 x 3200	WPS20/3232PPC

Rectangular Window Pod Kits



Kit includes: Corners, Lengths & Brackets
See product notes page 88

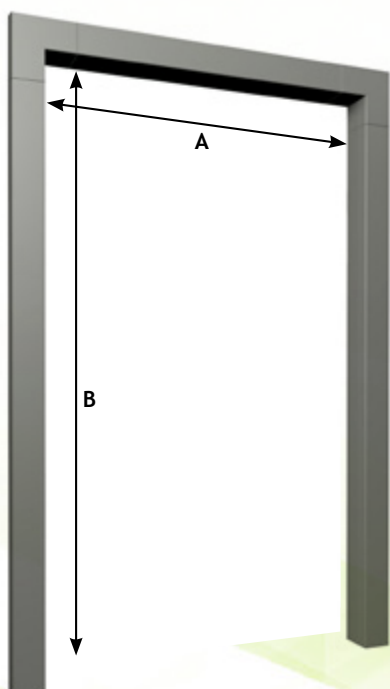
Window Pod Kit 712- 0.7m x 1.2m		
Product	Max Window Opening (A x B) (mm)	Product Code
Slimline 100	700 x 1200	WPS10/712PPC
Slimline 150	700 x 1200	WPS15/712PPC
Slimline 200	700 x 1200	WPS20/712PPC

Window Pod Kit 1217- 1.2m x 1.7m		
Product	Max Window Opening (A x B) (mm)	Product Code
Slimline 100	1200 x 1700	WPS10/1217PPC
Slimline 150	1200 x 1700	WPS15/1217PPC
Slimline 200	1200 x 1700	WPS20/1217PPC

Window Pod Kit 1222- 1.2m x 2.2m		
Product	Max Window Opening (A x B) (mm)	Product Code
Slimline 100	1200 x 2200	WPS10/1222PPC
Slimline 150	1200 x 2200	WPS15/1222PPC
Slimline 200	1200 x 2200	WPS20/1222PPC

Window Pod Kit 2232- 2.2m x 3.2m		
Product	Max Window Opening (A x B) (mm)	Product Code
Slimline 100	2200 x 3200	WPS10/2232PPC
Slimline 150	2200 x 3200	WPS15/2232PPC
Slimline 200	2200 x 3200	WPS20/2232PPC

Door Pod Kits

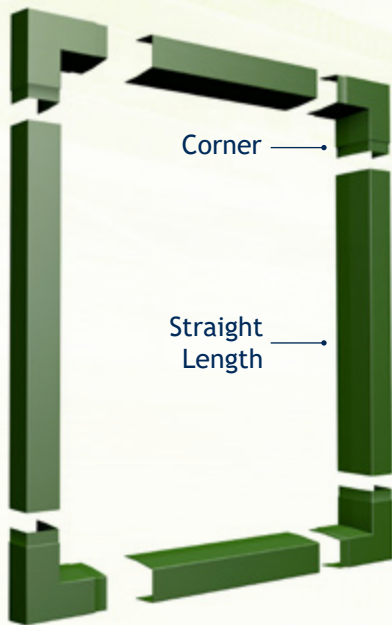


Kit includes: Corners, Lengths & Brackets
See product notes page 88

Door Pod Kit 1222- 1.2m x 2.1m		
Product	Max Door Opening (A x B) (mm)	Product Code
Slimline 100	1200 x 2100	DPS10/1222PPC
Slimline 150	1200 x 2100	DPS15/1222PPC
Slimline 200	1200 x 2100	DPS20/1222PPC

Door Pod Kit 2222- 2.2m x 2.1m		
Product	Max Door Opening (A x B) (mm)	Product Code
Slimline 100	2200 x 2100	DPS10/2222PPC
Slimline 150	2200 x 2100	DPS15/2222PPC
Slimline 200	2200 x 2100	DPS20/2222PPC

Modular Component Solutions



Our Skyline Modular Component Solutions offer a further range of choice to specifiers and end-users who wish to create their own window surround designs using standard components sourced individually from our window pod kits.

When ordering components, please be sure to order the correct number of fixing brackets for your installation. We recommend that a bracket is used at each corner and at 750mm maximum intervals (refer to installation instruction for guidance).



90° Angle
(for corner windows)



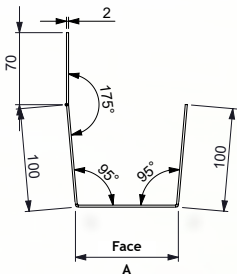
Loose Union
(for jointing lengths)



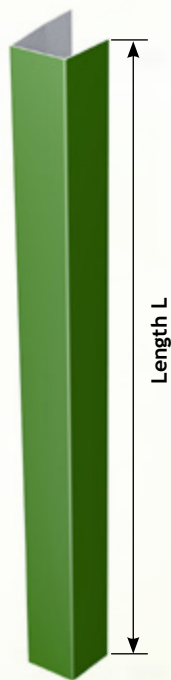
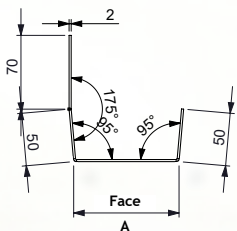
Fixing Bracket

Straight Length

Deepline



Slimline

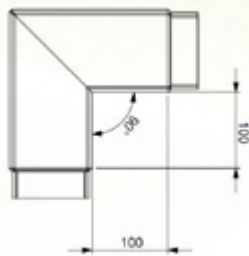
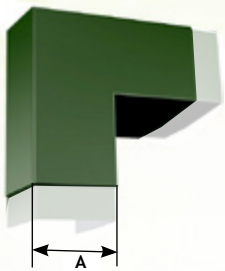


		Deepline	Slimline
Face (A)(mm)	Length (L)(m)	Product Code	Product Code
100	0.5m	WP10/0.5MPPC	WPS10/0.5MPPC
100	1.0m	WP10/1MPPC	WPS10/1MPPC
100	1.5m	WP10/1.5MPPC	WPS10/1.5MPPC
100	2.0m	WP10/2MPPC	WPS10/2MPPC
100	3.0m	WP10/3MPPC	WPS10/3MPPC
150	0.5m	WP15/0.5MPPC	WPS15/0.5MPPC
150	1.0m	WP15/1MPPC	WPS15/1MPPC
150	1.5m	WP15/1.5MPPC	WPS15/1.5MPPC
150	2.0m	WP15/2MPPC	WPS15/2MPPC
150	3.0m	WP15/3MPPC	WPS15/3MPPC
200	0.5m	WP20/0.5MPPC	WPS20/0.5MPPC
200	1.0m	WP20/1MPPC	WPS20/1MPPC
200	1.5m	WP20/1.5MPPC	WPS20/1.5MPPC
200	2.0m	WP20/2MPPC	WPS20/2MPPC
200	3.0m	WP20/3MPPC	WPS20/3MPPC

Product notes

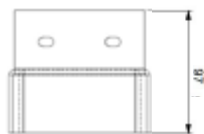
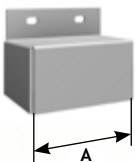
- Fixings not supplied - please refer to installation guide for information
- Sealant not supplied - Dow Corning 791 recommended, refer to installation guide for information
- Straight lengths can be cut to length on site to suit window size
- Standard window surrounds have a 70mm window reveal, other sizes can be made to order

Corner



	Deepline	Slimline
Face (A)(mm)	Product Code	Product Code
100	WP10/CNRPPC	WPS10/CNRPPC
150	WP15/CNRPPC	WPS15/CNRPPC
200	WP20/CNRPPC	WPS20/CNRPPC

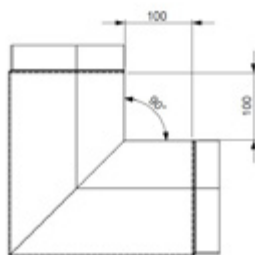
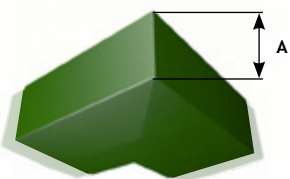
Fixing Bracket



	Deepline	Slimline
Face (A)(mm)	Product Code	Product Code
100	WP10/BKTTPC	WPS10/BKTTPC
150	WP15/BKTTPC	WPS15/BKTTPC
200	WP20/BKTTPC	WPS20/BKTTPC

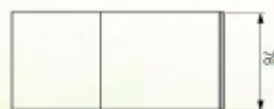
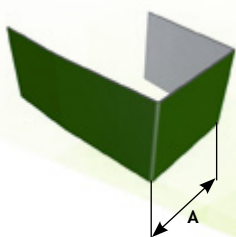
We recommend that a bracket is used at each corner and at 750mm maximum intervals (refer to installation instruction for guidance).

90° Angle (Only required for corner windows)



	Deepline	Slimline
Face (A)(mm)	Product Code	Product Code
100	WP10/90APPC	WPS10/90APPC
150	WP15/90APPC	WPS15/90APPC
200	WP20/90APC	WPS20/90APPC

Loose Union (For jointing lengths)



	Deepline	Slimline
Face (A)(mm)	Product Code	Product Code
100	WP10/JTRPPC	WPS10/JTRPPC
150	WP15/JTRPPC	WPS15/JTRPPC
200	WP20/JTRPPC	WPS20/JTRPPC

Bespoke Window Surrounds

Bespoke Skyline Architectural Aluminium can make your project truly unique.

The Skyline product range is differentiated by our integrated design and manufacture service. If you cannot find a solution to your requirements from our standard ranges, we will manufacture for you a unique, bespoke solution to your exact specification.



Our specialist teams will advise and liaise with you to develop a brief that matches your requirements down to the finest element of detail. Once the brief is agreed, it is passed to our manufacturing facility, which will create a fully bespoke, individual end product for you.

“From concept to completion, Skyline can help realise your vision.”



Making an entrance

However your project is configured, we can manufacture window surrounds that are the perfect fit in terms of performance and aesthetics. The end result is striking and attractively resolved detailing at window and door openings – ideal in new build or refurbishment, and for flat façade or corner applications



The perfect solution

Skyline Bespoke Window Surrounds enable you to achieve eye-catching, individualistic architectural detailing around window and door openings. The end result is total purpose-made harmony with visually seamless and clean architectural lines throughout all elements of the construction.

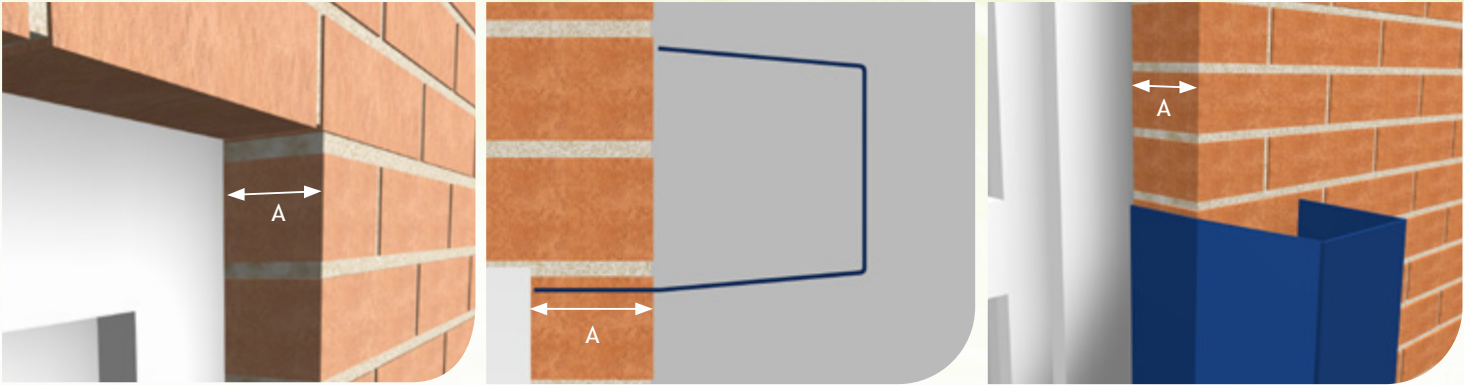


Designed to fit

Smart detailing at balconies and window façades where additional infill panels and innovative detailing can combine to create a pleasing visual aesthetic and weatherproof functionality as part of a fully integrated design solution.



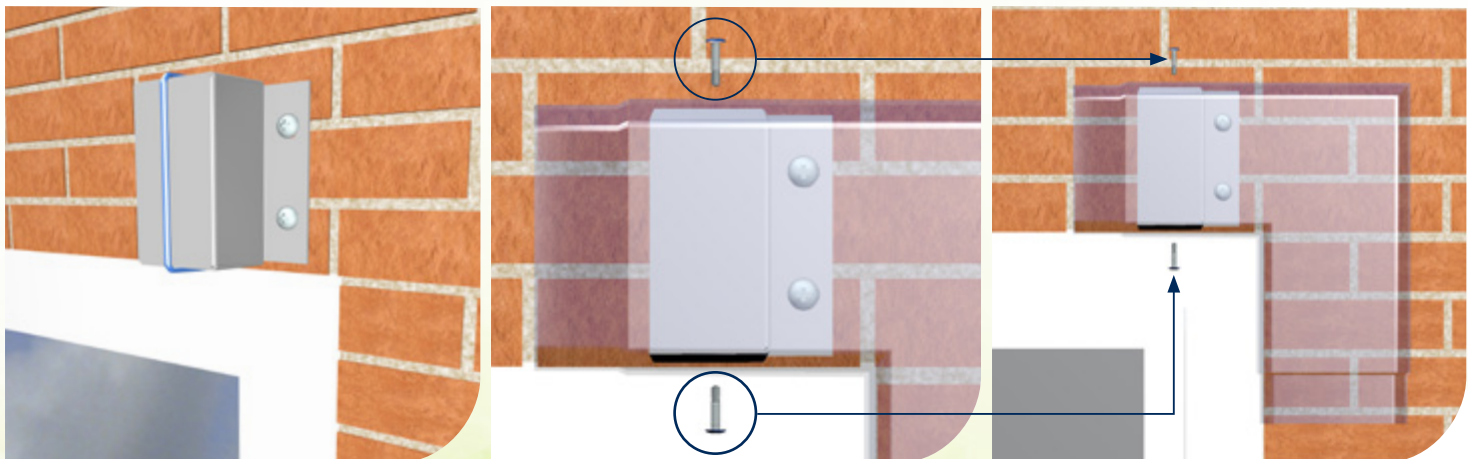
Window Surrounds Installation Guide



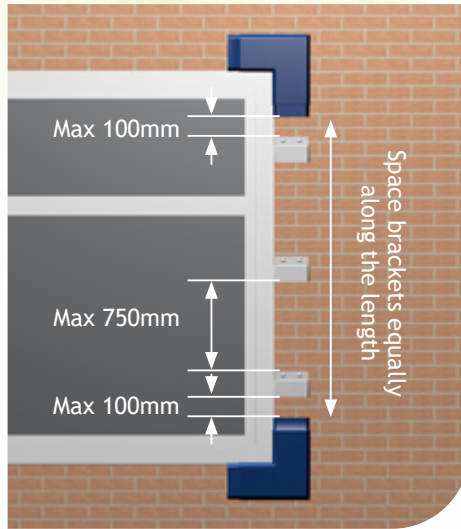
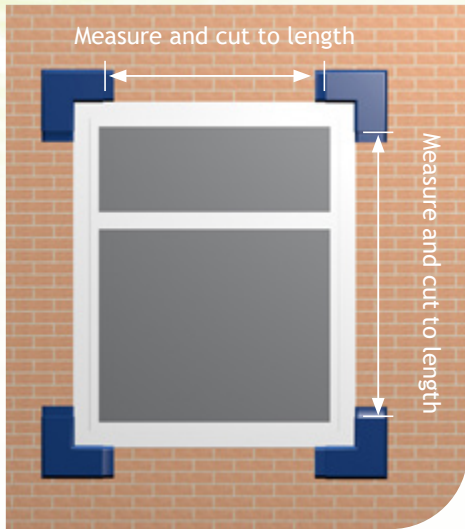
1. Check that window reveal (A) corresponds with Window Surround Kit. Please note that the standard Window Surround has a 70mm reveal. For alternative sizes please contact our Technical Services Team for advice.



2. Position corners to accurately mark the position of the fixing bracket. It's important at this stage to align vertically and horizontally. (This ensures that the straight lengths in between corners will align properly.)
3. Fix the bracket to the wall using appropriate wall fixings. Two elongated holes are positioned on the fixing bracket allowing for minor adjustments during installation.



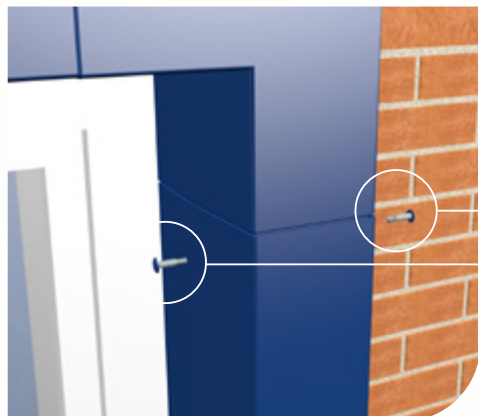
4. Apply a bead of silicone to the bracket. Fix the corners to bracket with appropriate aluminium fixings (use colour matched low profile self-tapping screws (see Point 8)).



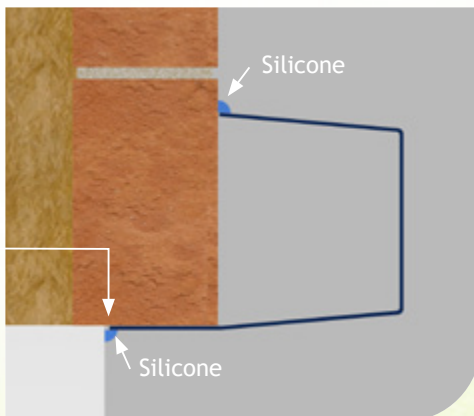
5. With all corners firmly in position, measure and cut the straight lengths to size.
Note: all cut edges must be coated using the appropriate touch-up paint.

6. Fit the remaining brackets. Fit brackets at maximum 100mm from each corner and at maximum 750mm centres along the length.

7. Always install vertical brackets with fixing holes on top to ensure maximum strength of the cantilever design. Apply a bead of silicone to all joints and brackets before fixing the straight lengths.



8. Secure the lengths, corners and bracket using appropriate aluminium fixings (use colour matched low profile self-tapping screw as shown). A minimum of two fixings are recommended on each joint and bracket.



9. Seal the inside and outside edges by applying a finishing bead of silicone (colour matched or transparent).

Tips & Guidance

- Fixing specification will differ according to wall type. Only use high quality fixings that are suitable for the substrate, e.g., for solid brickwork, use minimum 5.5 x 50mm (No12 x 2") roundhead screws with Rawplug wall plugs. Always use sheradised, cadmium plated or stainless steel screws.
- When fixing aluminium parts together, do not overtighten as this may cause the thread to strip and weaken the fixing. Use touch-up paint on external screw heads as required or use colour matched fixings.
- Prior to applying silicone ensure product is free of residue or debris; use Alumasc fast drying solvent cleaner.
- Use a good quality silicone sealant such as Dow Corning 791.
- When cutting, make sure to use the correct metalwork tools to obtain a clean cut and dress any sharp burr edges.
- Use touch-up paint on cut edges.

Window Cills



Skyline aluminium window cills offer practical solutions for covering old window cills. They are also useful in new build applications where there is a requirement to match window detailing with other architectural features.

Whether overlaying onto concrete, timber or plastic, aluminium window cills can be made to the exact profile and shape required to give a striking, robust and virtually maintenance free design solution.

How to measure cill girth

Window cills are available in two options: an SC3 which is a 3x bent profile, or an SC4, which is a 4x bent profile. Both SC3 and SC4 are available in two girth sizes 0-200mm and 201-300mm. To determine the girth required, simply measure using the guide below. The profile shapes illustrated are typical cill profile shapes, but cills will be made to your exact requirement.

How to order

Choose from **SC3** (3x bent) or **SC4** (4x bent).

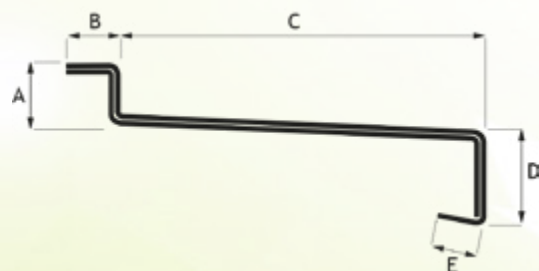
Calculate the profile girth by measuring as per example below, and use the corresponding Product Code in the tables on Page 97 to order.

SC3



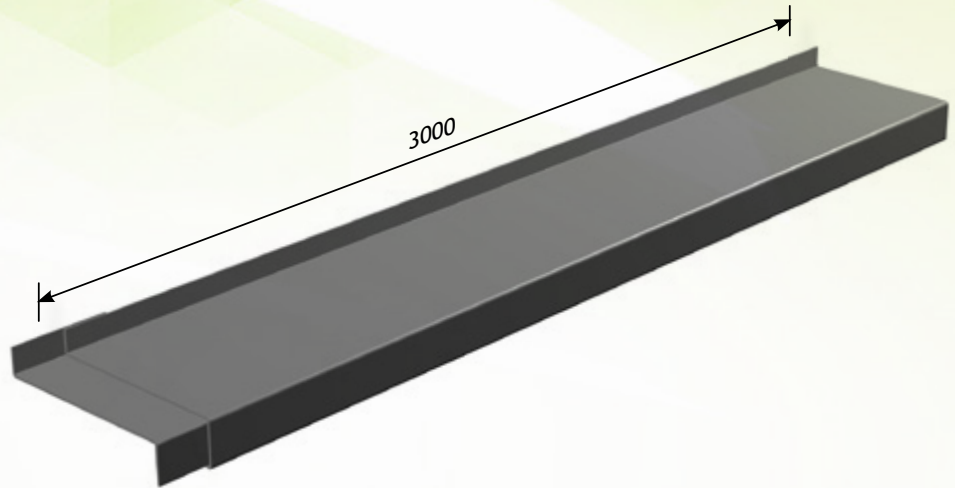
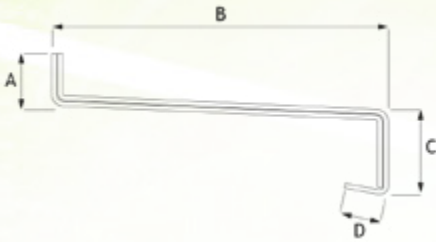
Example:
If A = 10mm, B = 140mm, C = 25mm then girth = 175mm
Therefore choose 0-200mm girth = SC3/200/3MPPC

SC4



Example:
If A = 20mm, B = 20mm, C = 170mm, D = 30mm then girth = 240mm
Therefore choose 201-300mm girth = SC4/300/3MPPC

SC3 Cill including Union



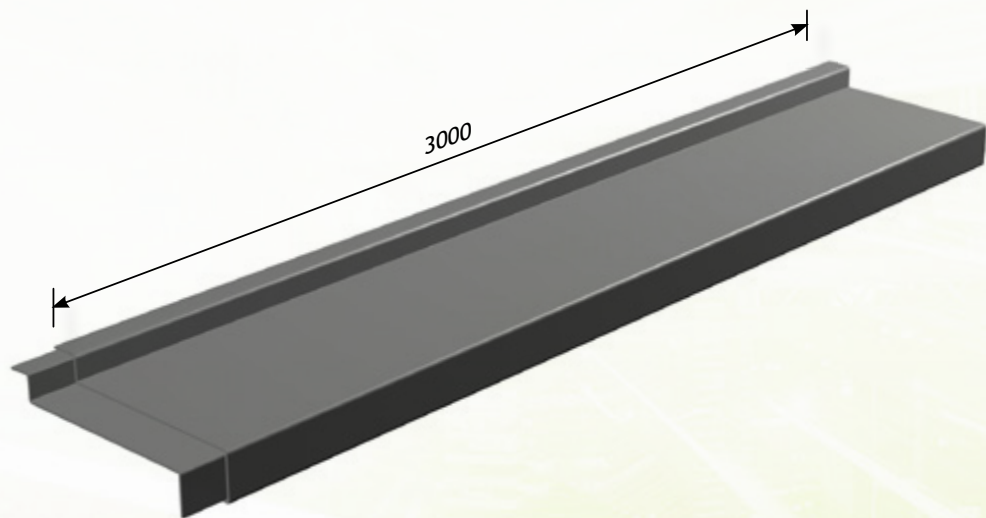
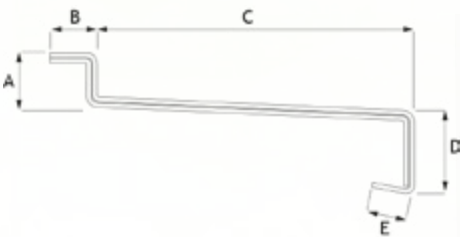
Product notes

- 3 metre lengths supplied complete with loose union.
- Additional loose unions available to order using codes below:

Girth (mm)	Product Code
0-200	SC3/200/UCPPC
201-300	SC3/300/UCPPC

Girth (mm)	Product Code
0-200	SC3/200/3MPPC
201-300	SC3/300/3MPPC

SC4 Cill including Union



Product notes

- 3 metre lengths supplied complete with loose union.
- Additional loose unions available to order using codes below:

Girth (mm)	Product Code
0-200	SC4/200/UCPPC
201-300	SC4/300/UCPPC

Girth (mm)	Product Code
0-200	SC4/200/3MPPC
201-300	SC4/300/3MPPC

Anti-Climb Barrier

Designed with security in mind to prevent unauthorised access to the roofscape, Skyline Anti-Climb is a good-looking Architectural Aluminium design solution and a bold, economical and highly effective architectural security feature. Any type of building can benefit, but Skyline Anti-Climb Barrier is particularly suitable for buildings where high security is an important consideration.



Applications

- For maximum security in high risk areas
- Suitable for new build and retrofit
- Can be used with all Alumasc gutter systems
- Ideal for use in connection with Alumasc Guardian Anti-Climb downpipes

Features & Performance

- Lightweight, durable and corrosion resistant
- Coefficient of linear thermal expansion is $23 \times 10.6\text{mm/m/oC}$
- Where butt joints occur over an internal union bracing clip, a 2-3mm expansion gap must be provided
- Minimal maintenance required
- Life expectancy of aluminium: 40 years (rural/suburban areas); up to 25 years (industrial/marine areas)
- Aluminium is 100% recyclable

Manufacture

- Manufactured entirely in the UK
- Barrier sections are delivered to site preformed to shape, with loose union bracing clips
- Barriers are made from rolled 2mm heavy grade aluminium sheet to BS 1470: 1972 fixed to loose union bracing clips located at 625mm centres
- Brackets are made from galvanised mild steel bar, bent and predrilled for fixing to the building fascia

Colours & Finishes

- BBA approved polyester powder coatings in 16 factory applied colours from our in-house powder coating facility
- Any BS or RAL colour available to order

Installation & Fixings

- A complete system solution with all components supplied for installation on site
- Full installation and on-site support available



Anti-Climb Sectors

There are many building types where prevention of unauthorised access is vital. Inadequate security can result in personal injury to building occupants, theft of valuables, and confidential data being compromised. Following are just some of the sectors that can benefit from Skyline Anti-Climb security.

Schools

Child safety and protection of data are of major importance in schools. New build schools today are frequently single storey structures with relatively low rooflines to which unauthorised access is relatively easy.

Skyline Anti-Climb Barriers provide a visually attractive and highly efficient way of preventing such unwanted intrusion.



Secure Units

In buildings where valuable objects or sensitive data are kept, the risk of illicit and not easily detected access from the roof is an ever-present possibility. To prevent this, adequate protection is essential.

The unclimbable profiles of Skyline Anti-climb provide a secure defence against such illicit intrusion.



Prisons

In prisons keeping outsiders out is as important as keeping inmates securely confined within. In secure buildings, it is not only vital to keep inmates securely confined, but to prevent prohibited entry for unlawful purposes

The roof is often an unprotected means of access, against which Skyline Anti-Climb is an effective barrier at the eaves.



Healthcare

It is vital to provide security and peace of mind for patients and staff alike. But, because healthcare buildings contain valuable equipment, they are sometimes a target for major theft. Large and valuable items of medical equipment have been stolen by thieves who have gained access via unprotected flat roofs.

Skyline Anti-climb denies thieves roof access to the building interior.



Anti-Climb Range Overview

The standard Skyline Anti-Climb range gives designers great flexibility to create appealing and effective defence against unwanted intrusion at the roofline in new build and refurbishment projects alike.

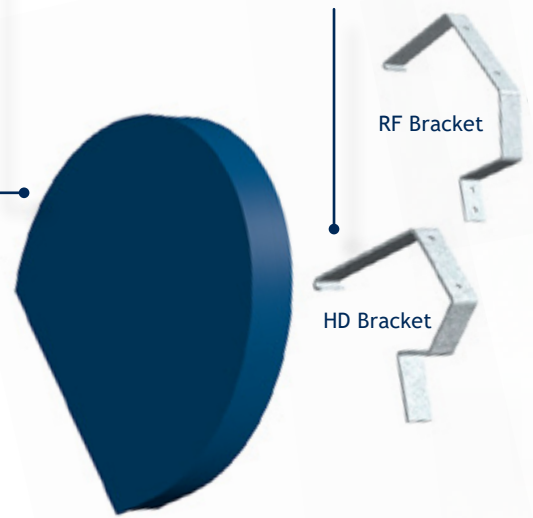
Skyline Anti-Climb offers fascia solutions that are both visually attractive and practical and suited to an enormous number of potential applications in buildings across many sectors.

Endcap

Provides a clean finished edge to the roofline and seals off the end for better system protection

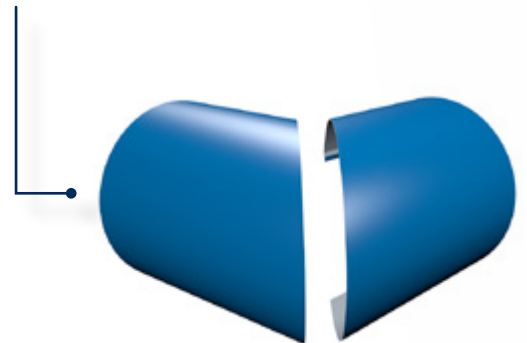
Engineered Bracket

The heavy duty galvanised bracket is designed specifically for each project to ensure maximum security and alignment when installed.



Corner

Provides a finished edge to the roofline and seals off the end of the system to prevent tampering.



Standard Components

Braced Union

Manufactured from 3mm thick aluminium the Braced Union combines with the bracket to provide the framework for Anti-Climb Drum. Installed at 625mm centres, the 100mm wide union gives stability to each joint and additional strength along the roofline.

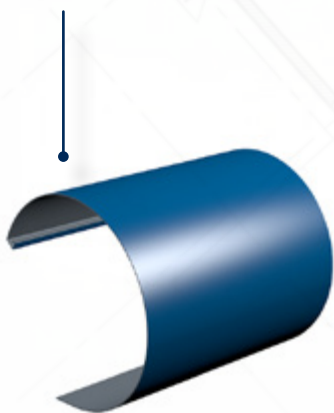
Drum

A robust 2mm thick heavy duty aluminium drum section is highly effective again in high secure areas where roof areas boundary walls need protecting from unauthorised access.



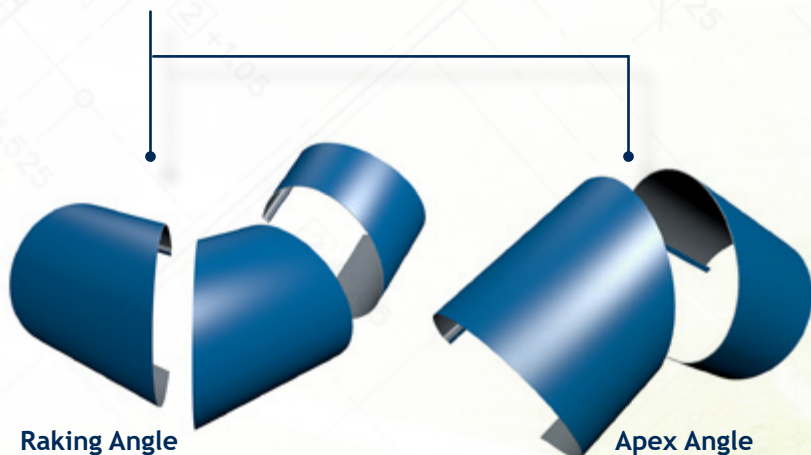
Make-up Piece

Designed for use around the building for authorised maintenance access.

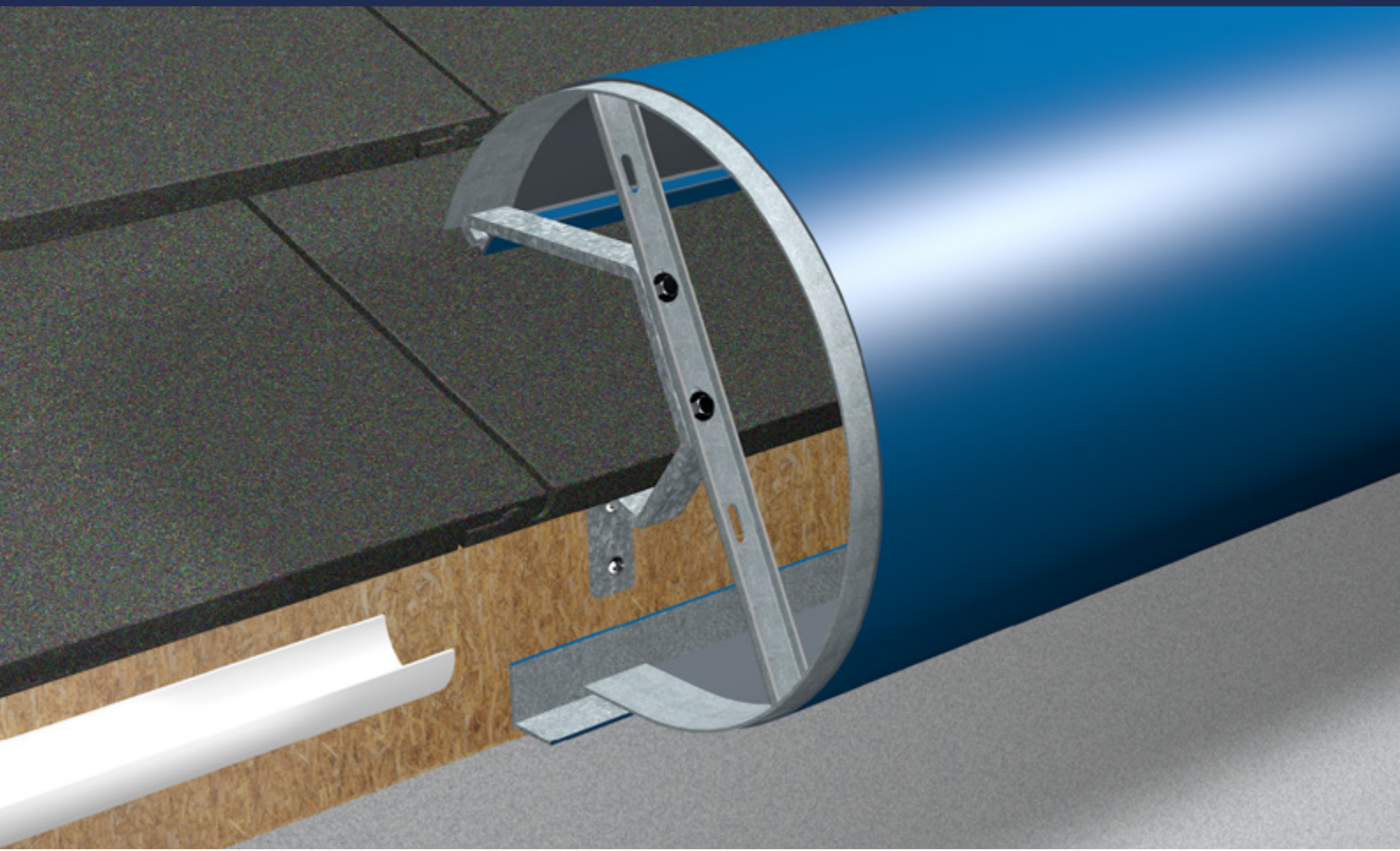


Apex & Raking Angles

Where the roof requires continuous protection up to the gable end, both Apex and Raking Angles are available to complete a secure installation.

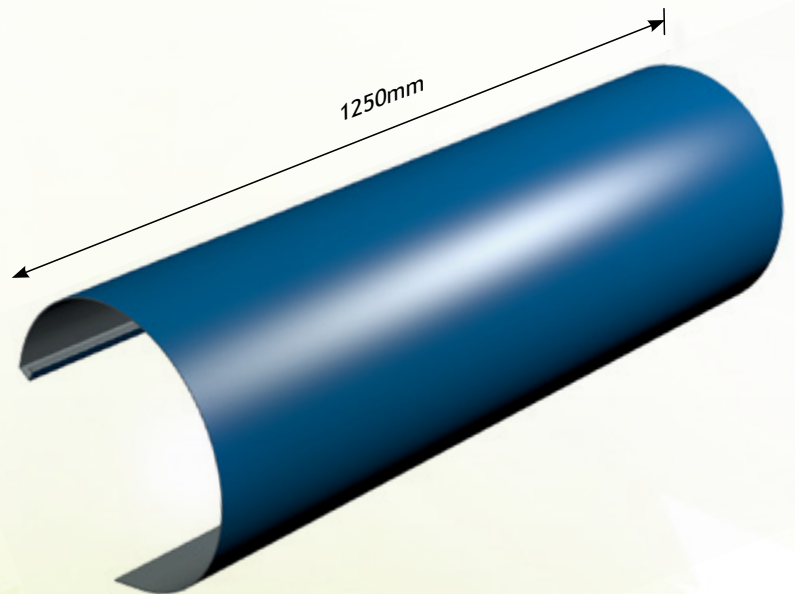
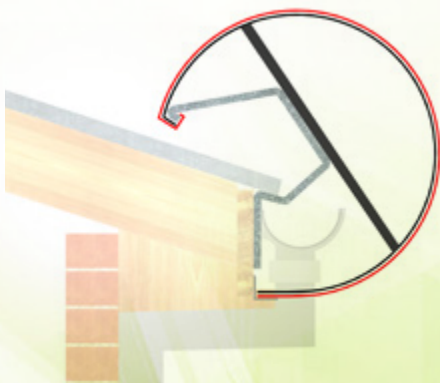
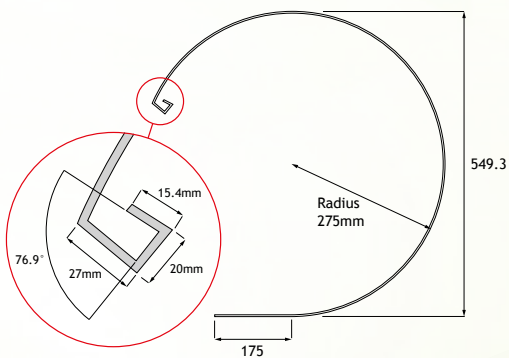


Anti-Climb Components



The Skyline Anti-Climb System is designed for installation on any type of roof. The bracket fixing arrangement is purpose designed to suit each individual roofing application.

Drum



Product Code

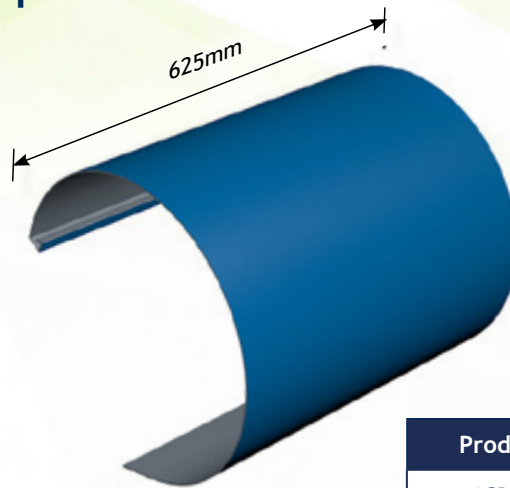
ACB/1250/LTHPPC

End Cap



Product Code	
Left Hand	Right Hand
ACB/SELHPPC	ACB/SERHPPC

Make-up Piece



Product Code
ACB/MUPPPC

Heavy Duty Bracket



Product Code
ACB/BRKT/VAR

Retrofit Bracket



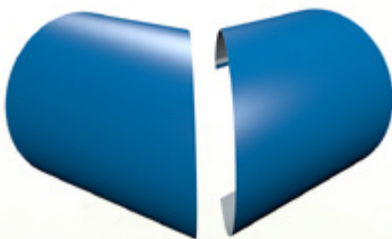
Product Code
ACB/BRKT

Union



Product Code
ACB/UNIPPC

Corner



Product Code	
External	Internal
ACB/EAPPC	ACB/IAPPC

Raking Angle Including Irregular angles



Product Code
ACB/IRAPPC

Apex Angle



Product Code
ACB/AAPPC

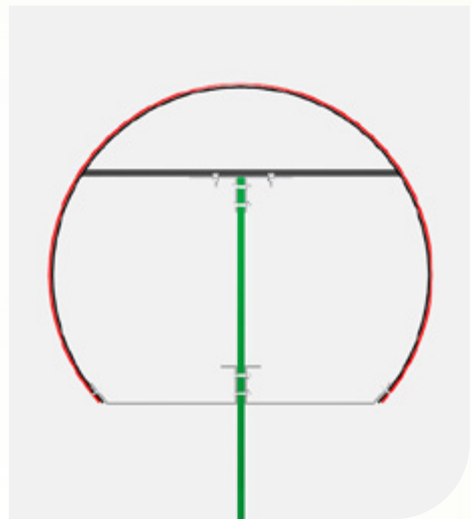
Anti-Climb Typical Applications

The Skyline Anti-Climb System is designed for installation on any type of roof. The fixing bracket arrangement is purpose designed by Alumasc to suit the client's specific project application. This allows all components to be fixed accurately during installation, ensuring correct alignment of the Anti-climb barrier to maximise protection and security

In addition to roofline application, Skyline Anti-Climb can also be installed effectively to cap security fencing, on parapet walls, and indeed on any part of a structure vulnerable to unauthorised access through climbing.



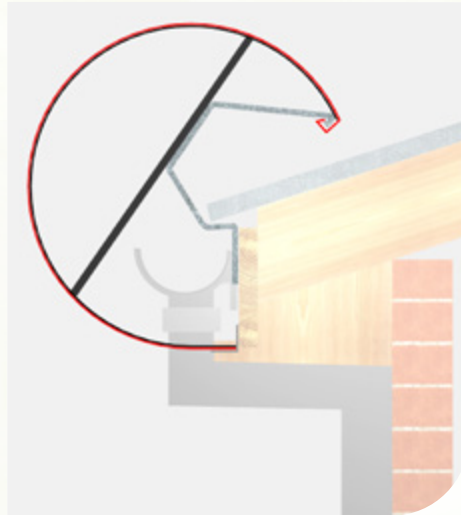
Security Fencing



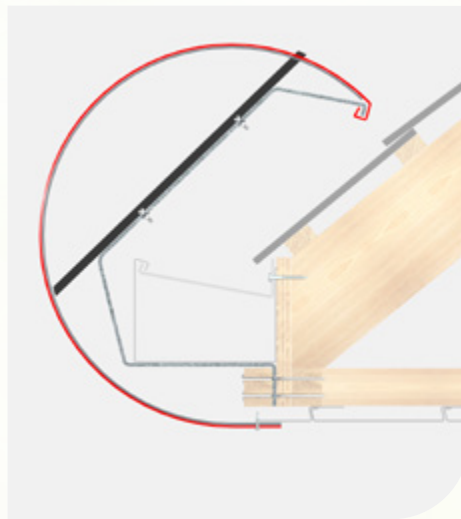
Security Fencing



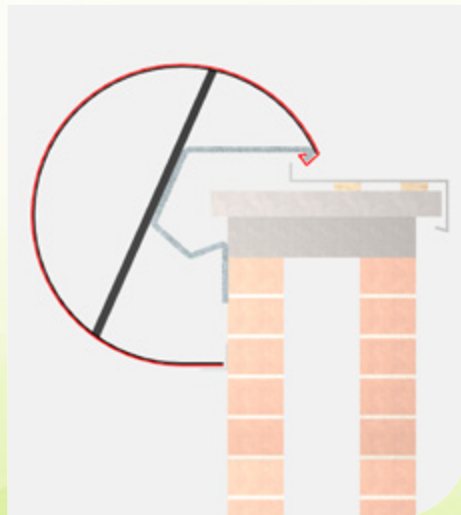
Traditional Roof



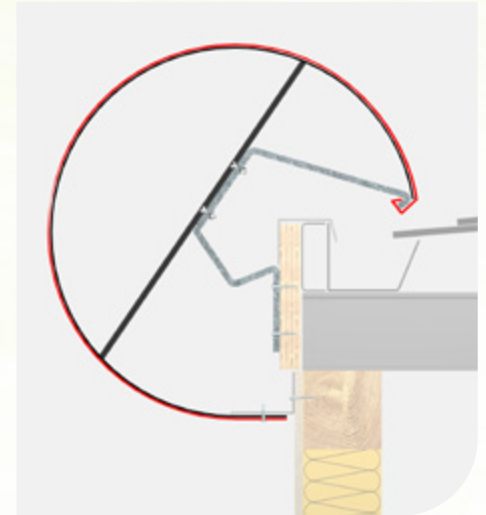
Retrofit RF Bracket



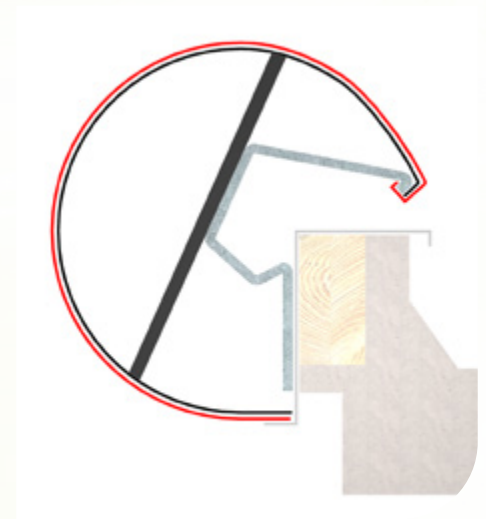
Parapet Wall



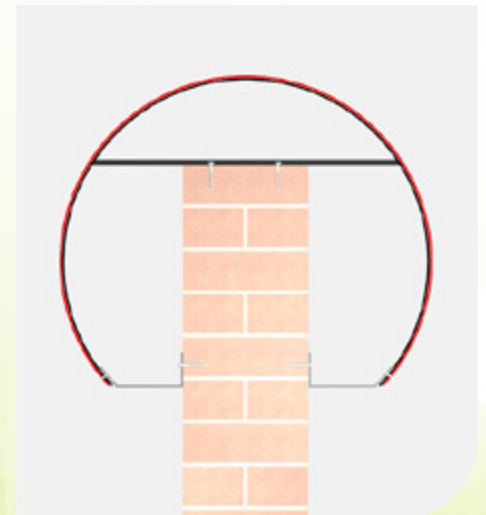
Mono-Pitch Roof



Flat Roof



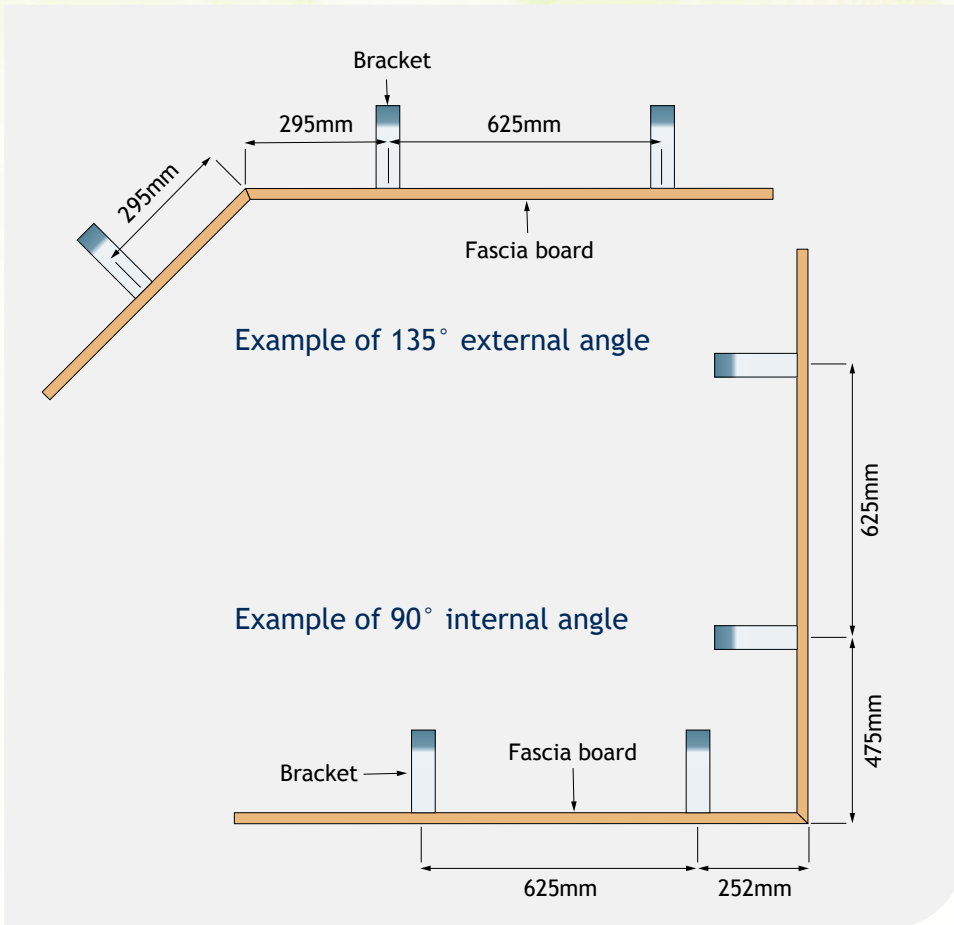
Boundary Wall



Here are some examples of the various applications for which Skyline Anti-Climb is an excellent protective measure against unwanted intrusion.



Anti-Climb Installation Guide



The HD bracket system will be manufactured specifically for each project, taking into account the roof pitch, fascia/soffit and gutter detail.



The retrofit RF bracket can be used on existing roof areas to avoid removal and refitting of an existing gutter. Strengthening of the fascia and soffit may be required to accommodate the retrofit RF brackets.

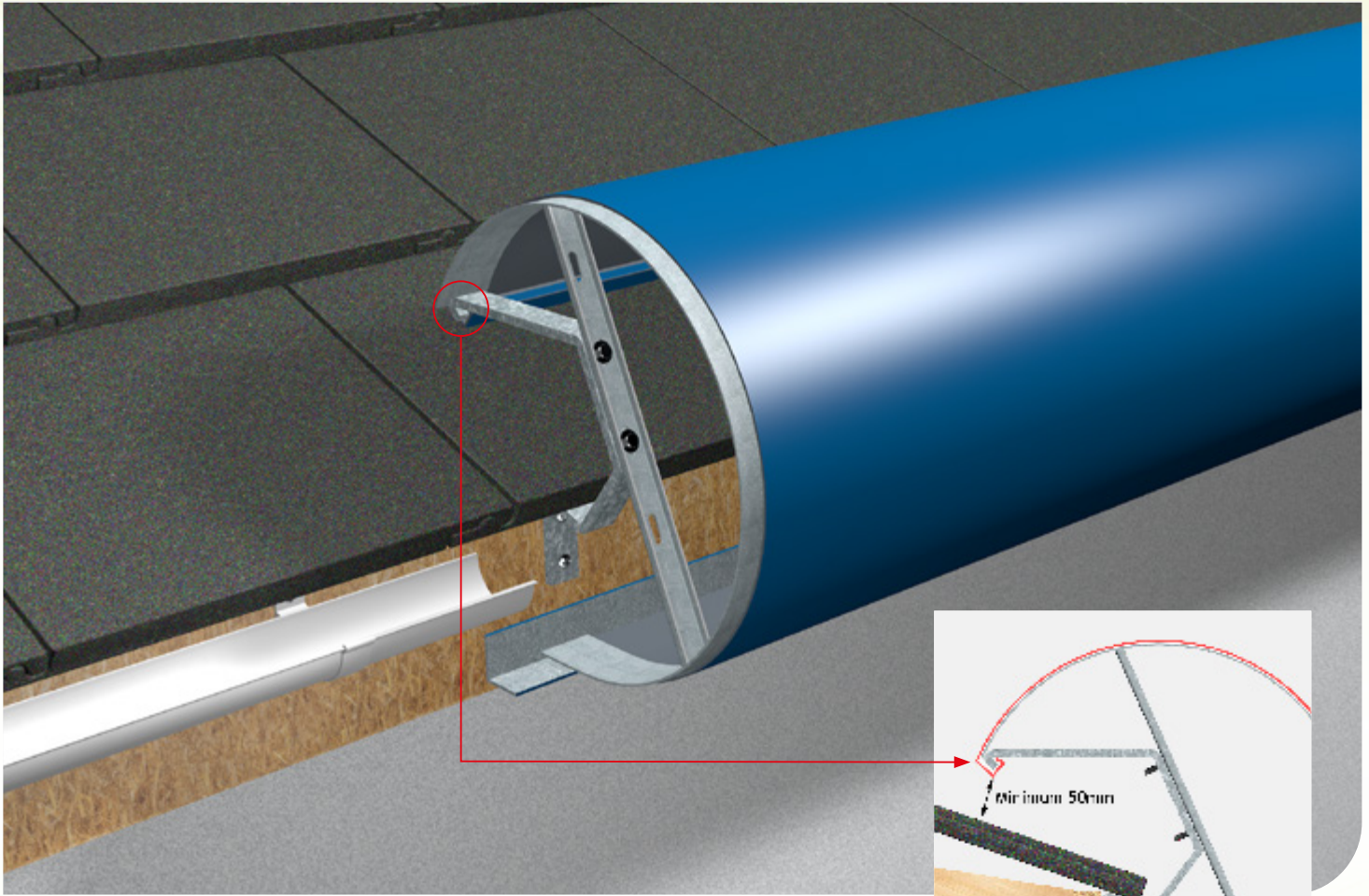
Setting out plan: Generally, brackets are spaced at 625mm centres along the building. This may vary at internal and external corners, with differing requirements for each individual project. A make-up piece is installed every third Anti-Climb drum section for maintenance and future access to the roof. On large, complex roof areas, Alumasc can assist with the setting out plan.



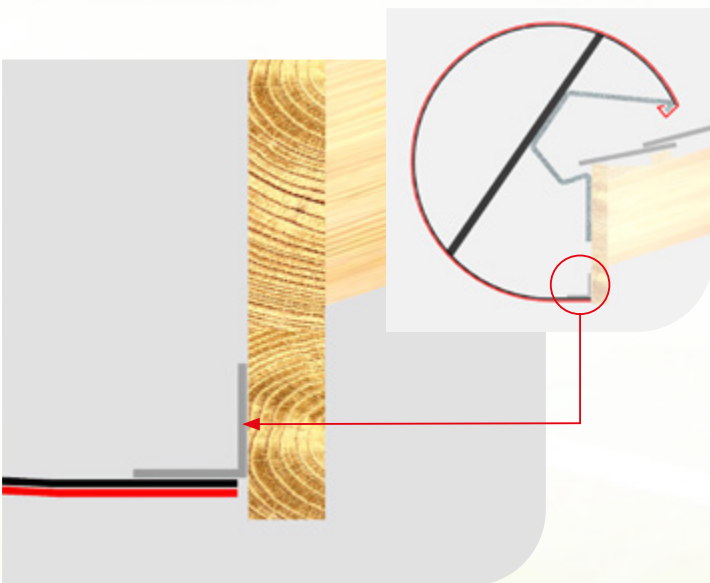
Where Skyline Anti-Climb barrier is integral with a rain-water disposal system, Alumasc's high security Guardian downpipes are typically used.



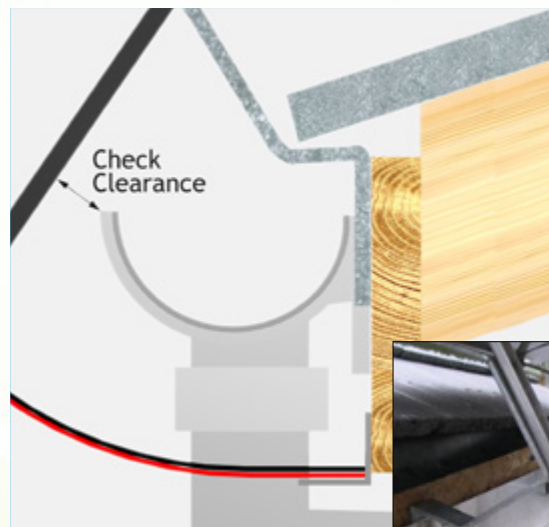
Pipe covers: Alumasc can provide specially fabricated components to cover all manner of potential hazards. Typically this would include boxing for existing downpipes, cabling and other unsightly features of detailing.



1. Prior to installing the brackets, first check to ensure correct alignment of the proposed Anti-Climb system installation. Check that there is a minimum 50mm gap between the roof and the top edge of the Anti-Climb drum.



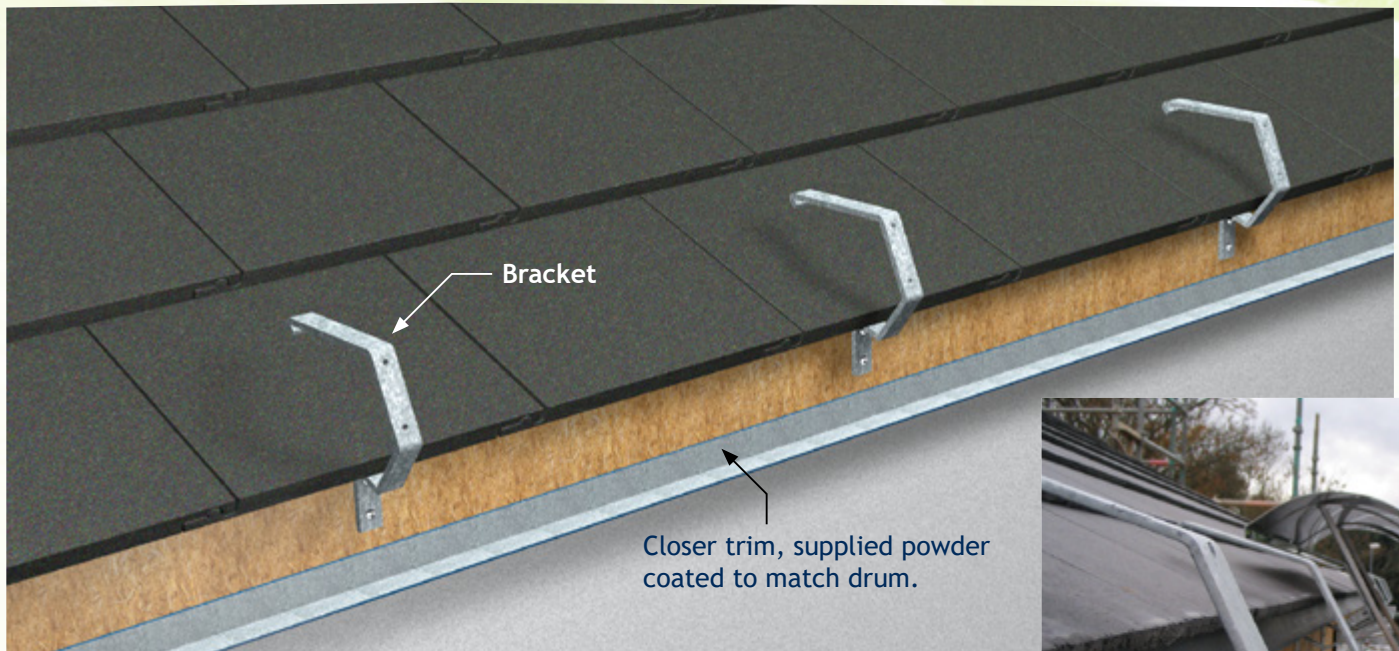
2. Before finalising the bracket position, check the position of the closer trim to ensure that the Anti-Climb drum is aligning correctly to the roof and fascia/soffit.



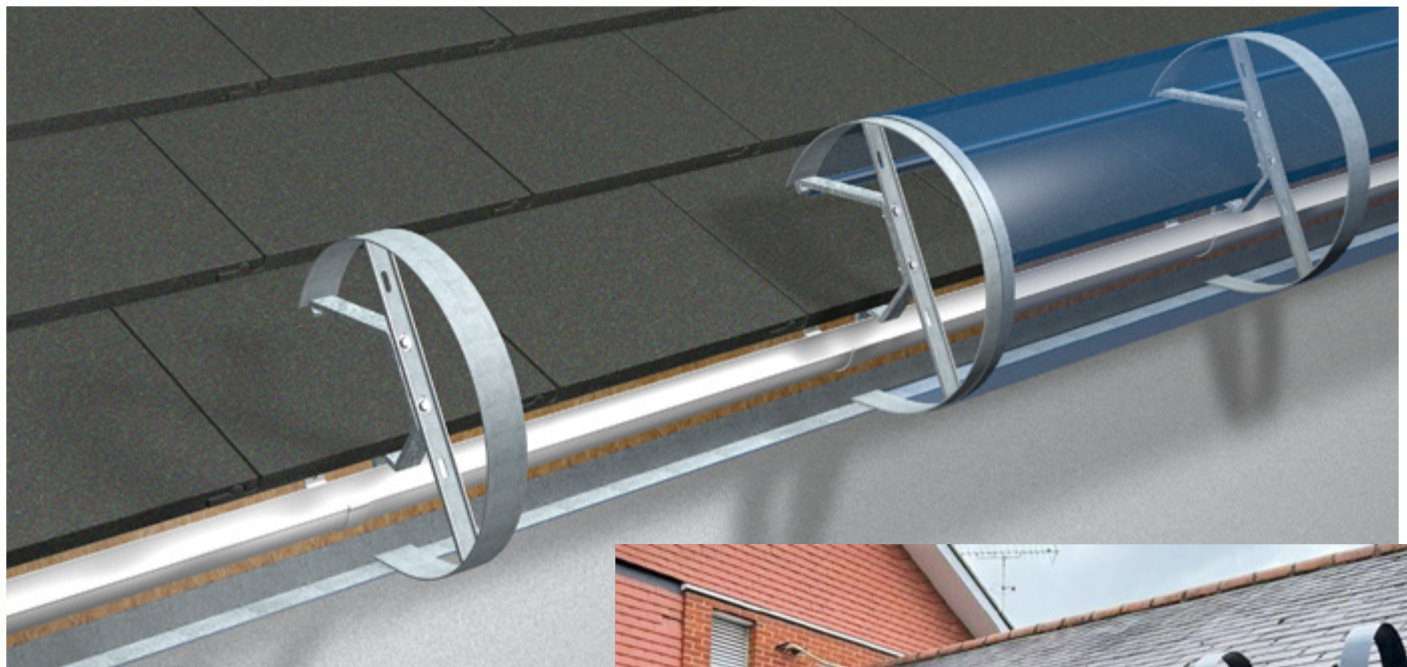
3. Check and measure gutter section to ensure that the braced union does not impede the gutter.



Anti-Climb Installation Guide

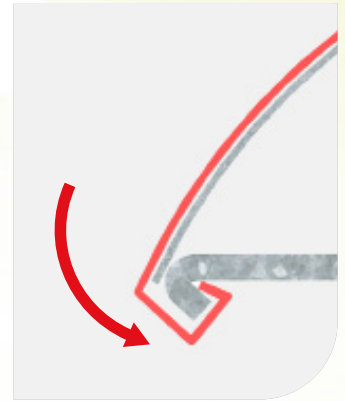
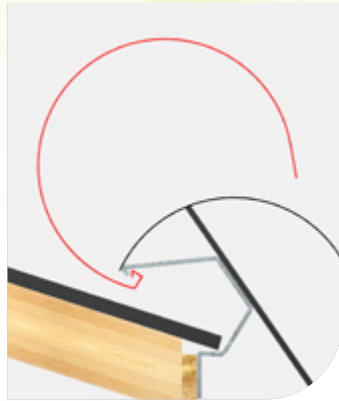
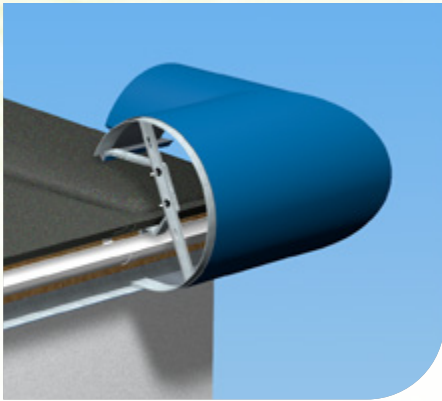


4. When the correct bracket position has been established, install the brackets at 625mm centres along the length of the building. If there are corners, then start at the corners and refer to the detailed setting out plan provided. Ensure accurate alignment of the bracket along the length of the building using a builders' string line. Use the correct fixing appropriate to the substrate: a minimum screw size of No.12 x 50mm is recommended. Note: additional support timber may be required.

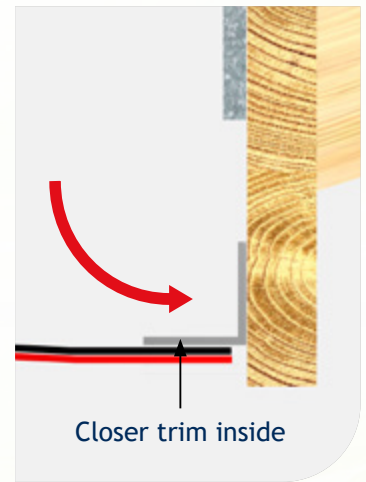
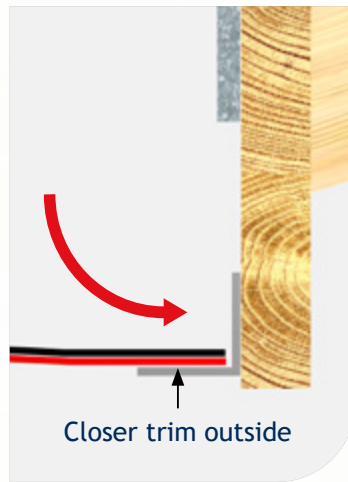
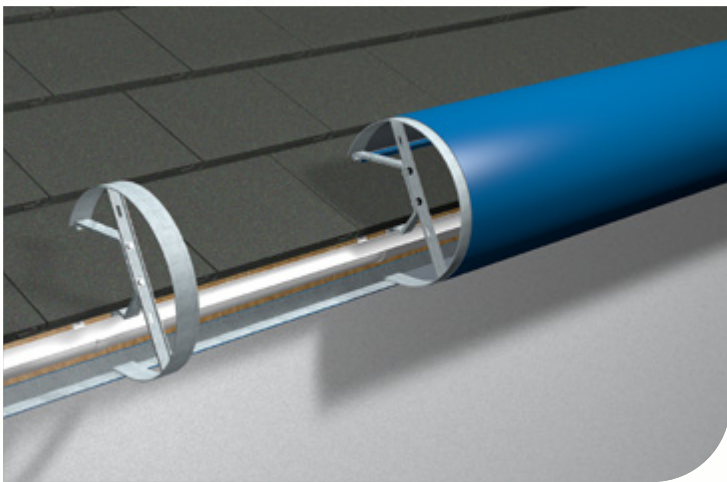


5. With brackets securely in position, proceed to bolt all the braced unions to the brackets, using the 2x M6 nut/bolt/washer provided. Note that a 'shakeproof washer' (supplied) must be included at every fixing. Use a string line to align the unions (this will help later when installing the Anti-Climb Drum).

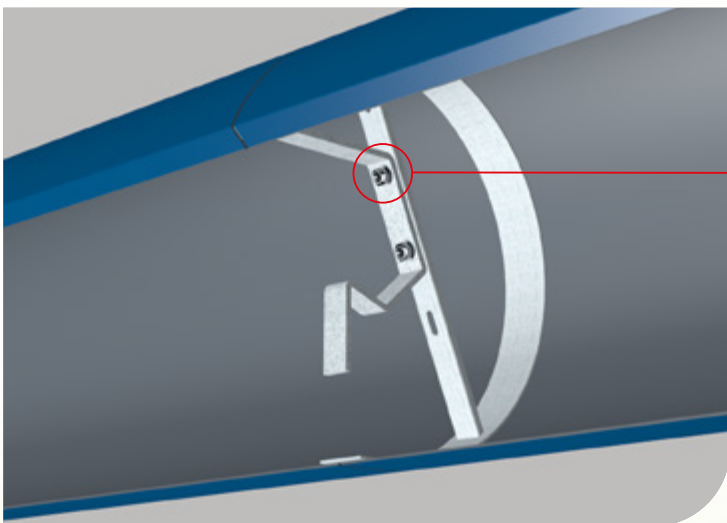




6. Starting from one end, install the drum components in sequence by hooking over the top of the braced union and fix the bottom edge to the trim at the fascia/soffit. If the building has a corner angle, then start at the corner, ensuring that the corner components fit correctly and that the joint is positioned at the centre point of the next braced union.

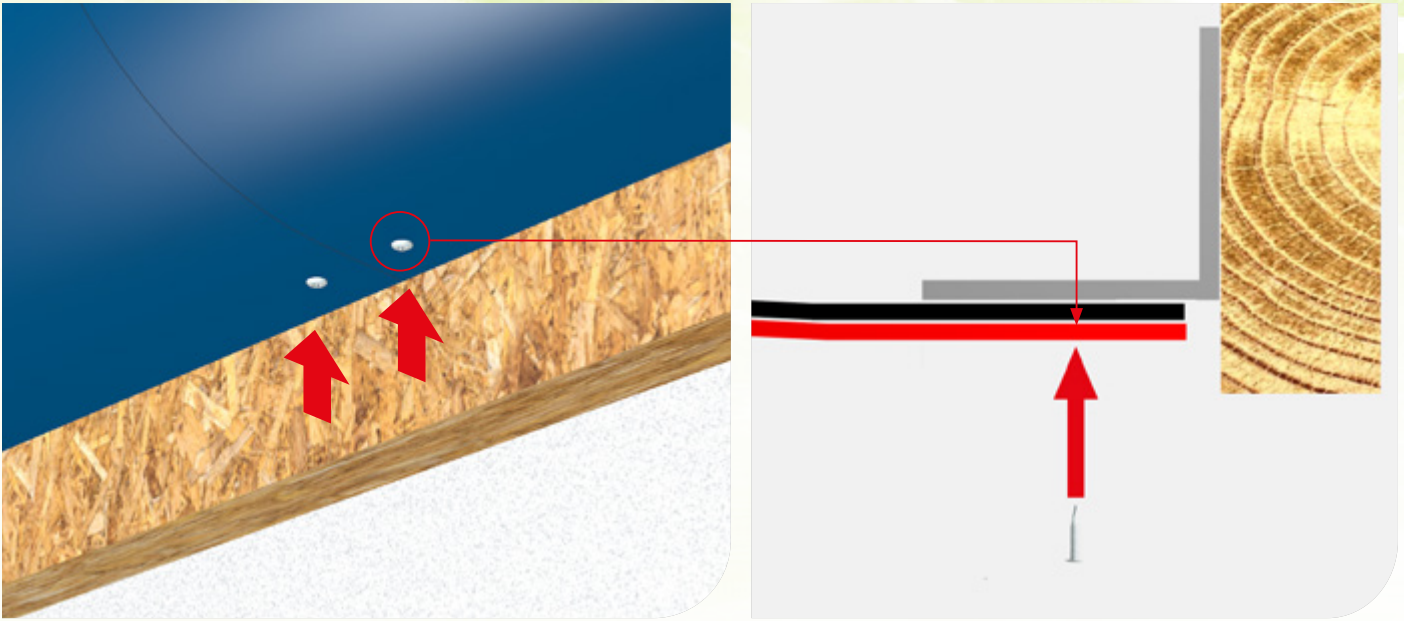


7. Once firmly in position, the base of the Anti-Climb Drum should overlap and align with the bottom closer trim at the fascia/soffit. If any adjustments are required, then this should be done now prior to fixing the next drum.

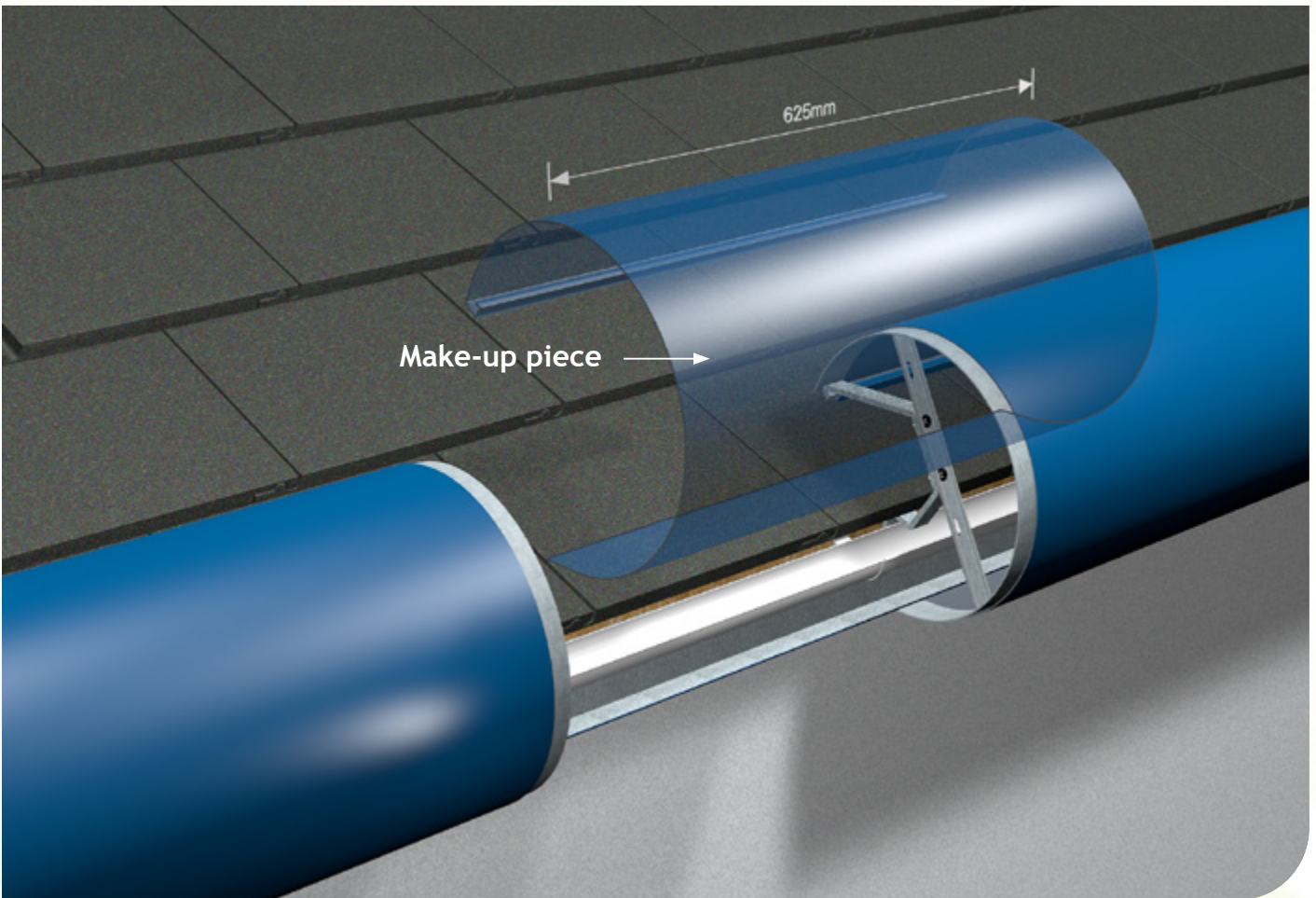


- 7a. To adjust drum, simply reach into the drum from the open side, and loosen the bolts on the central braced union and the open side braced union. Make the required adjustment and re-tighten the bolts. Carry out this procedure on each Anti-Climb Drum length before proceeding to the next. This will ensure that the installation aligns correctly as installation proceeds. Be aware that a drum cannot be adjusted once the next drum is in position. It is therefore critical that each Anti-Climb Drum section is adjusted as installation proceeds. Failure to do so may result in product having to be completely removed and re-installed.

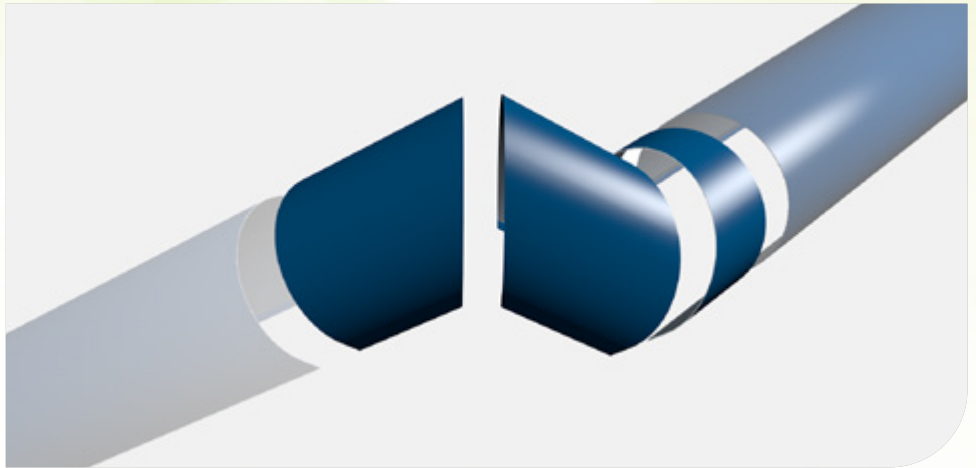
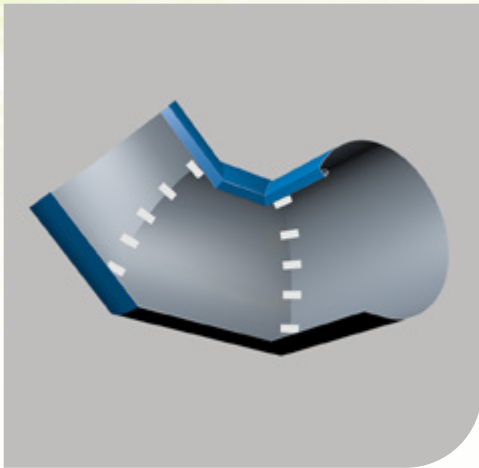
Anti-Climb Installation Guide



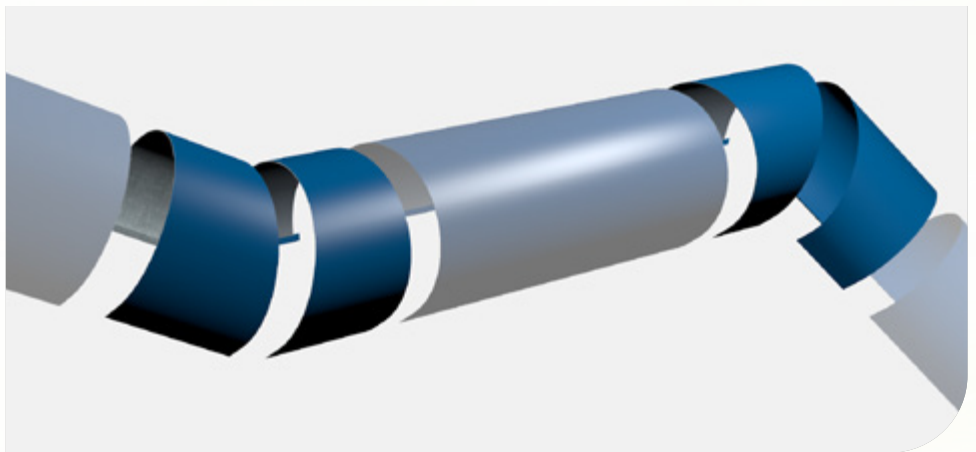
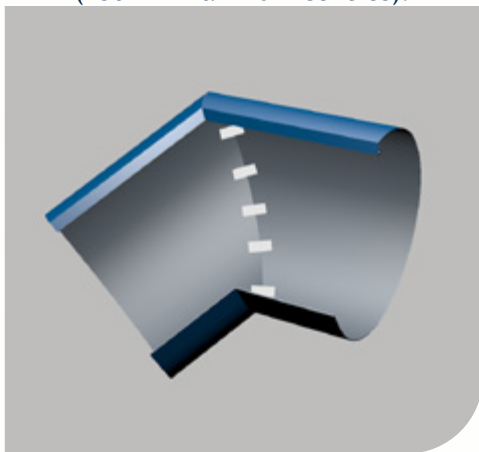
8. Fix the drum to the closer trim using high security low profile colour matched fixings. Ensure that the hole through the Anti-Climb Drum and union are oversized (usually 8mm for 6mm fixing) to allow for expansion and contraction. Once in position and in alignment, proceed to fix around the circumference of the drum at 250mm maximum centres (as shown in Point 12).



9. At every 3rd length of Anti-Climb drum a make-up piece should be installed. This allows for future maintenance and access to the roof area. Fix the make-up piece using the same procedure as describe for the drum in Point 8.

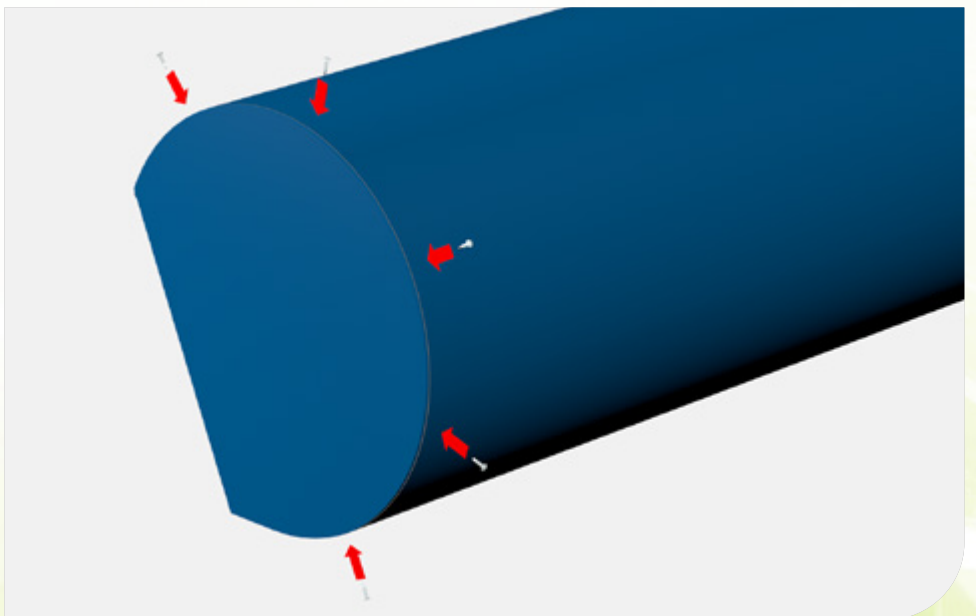
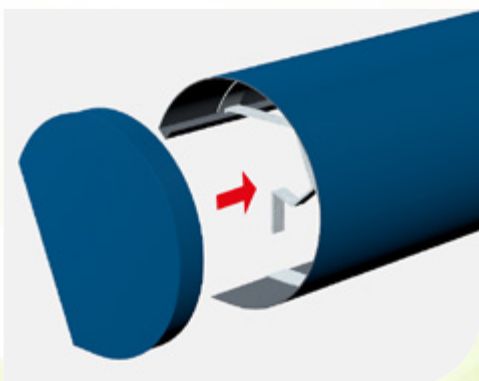


- 10.** Raking Angle: all corners and raking angles are manufactured in separate pieces to allow for site installation onto the braced union. Each Anti-Climb section should be installed in turn, working around the corner then up the gable. The corner mitre joints employ connection strips as shown. These should be fixed using rivets (or low profile high security colour matched fixings). Space these at regular intervals around the circumference of the drum. (250mm maximum centres).



- 11.** Apex Angle: these should be installed using the same method outlined in Point 10. Each drum section should be installed in turn, working to the apex.

- 12.** End Cap: these push into the Anti-Climb Drum section and should be fixed in position using rivets (or low profile high security colour matched fixings). A minimum of 5 fixings is recommended on each joint (250mm maximum centres).



Column Casings

The Skyline range of aluminium column casings meets all the challenges of hiding many unsightly elements of construction. Examples include steelwork, unsightly concrete columns, timber work and service ducts routed up columns.

Secret fix column casing can be fitted on exterior or interior columns to provide a visually appealing, highly durable and maintenance-free finish. With striking, sharp, clear lines and an extensive choice of colours, Skyline Column Casings are an inventive solution in transforming unsightly columns into dramatic design features.

Skyline Column Casings provide a robust ecological solution for low maintenance and lifetime value. The Skyline system is suitable for new build and retrofit applications alike.



Applications

- Enclosing external or internal columns to improve appearance and hide unsightly features
- Suitable for different column cross sections: circular, semicircular, square and semisquare
- Weatherproof in exterior applications

Features & Performance

- Standard components are lightweight, durable, corrosion resistant and easy to handle
- Completely waterproof in exterior applications
- Minimal maintenance required
- Life expectancy of aluminium: 40 years (rural/suburban areas); up to 25 years (industrial/marine areas)
- Aluminium is 100% recyclable

Manufacture

- Manufactured entirely in the UK

Colours & Finishes

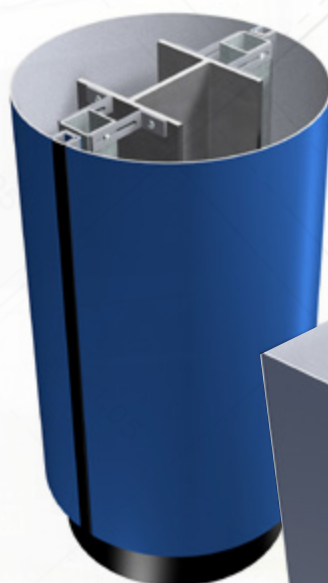
- BBA approved polyester powder coatings in 26 factory applied colours from our in-house powder coating facility
- Any BS or RAL colour available to order

Installation & Fixing

- All components delivered to site
- Simple and quick to install

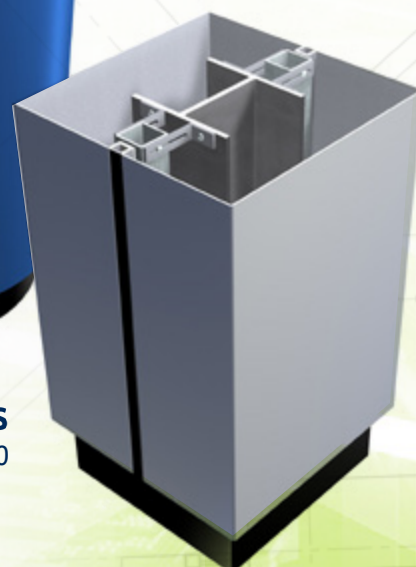
Circular Column Casings

See page 118



Square Column Casings

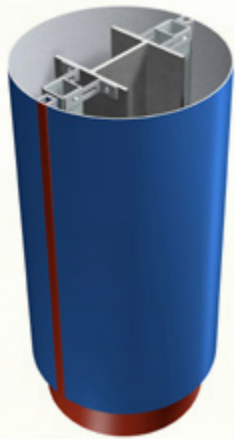
See page 120



Column Casing Range Overview

The standard column casing range consists of circular casings, from 300mm up to 1000mm diameter, and square casings, from 250x250mm up to 1000x1000mm square. All casings are manufactured using 3mm aluminium sheet.

Circular



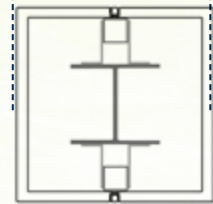
300mm to 1000mm



Square



250mm to 1000mm



Half-columns

Half-columns are available for use on walls where there is a requirement to conceal building element and service duct between floors. Half-columns can also be used as false columns to match interior design schemes that require symmetry and balance.

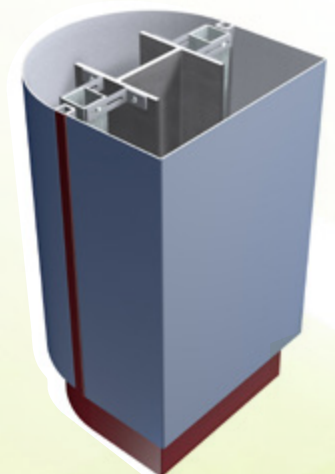


Flat Extension Panels

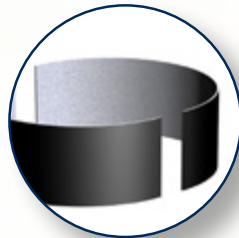
The innovative Skyline range has been cleverly designed to allow for a modular construction, thereby simplifying the design and installation process. Flat extension panels are available to create elongated columns and wall features.

Bespoke

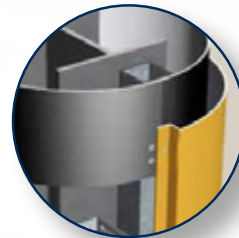
To provide ultimate versatility for specifiers and designers, Skyline Column Casings can also be specified in bespoke sizes and shapes to meet individual project requirements.



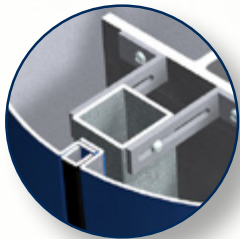
Skyline's versatile secret fix design allows for fixing to wood or steel mullions, providing installers and designers with a quick and reliable way of transforming unsightly structural elements. Each casing is made up of three basic components: casing, inner collar (top & bottom) and infill strip. Colour options include a UniColour option, where all components are the same colour, or a DuoColour option, where two colours can be specified.



250mm top inner collar allows for tolerance and adjustment



Easy-to-install overlapping design



All fixings concealed for aesthetic effect and security



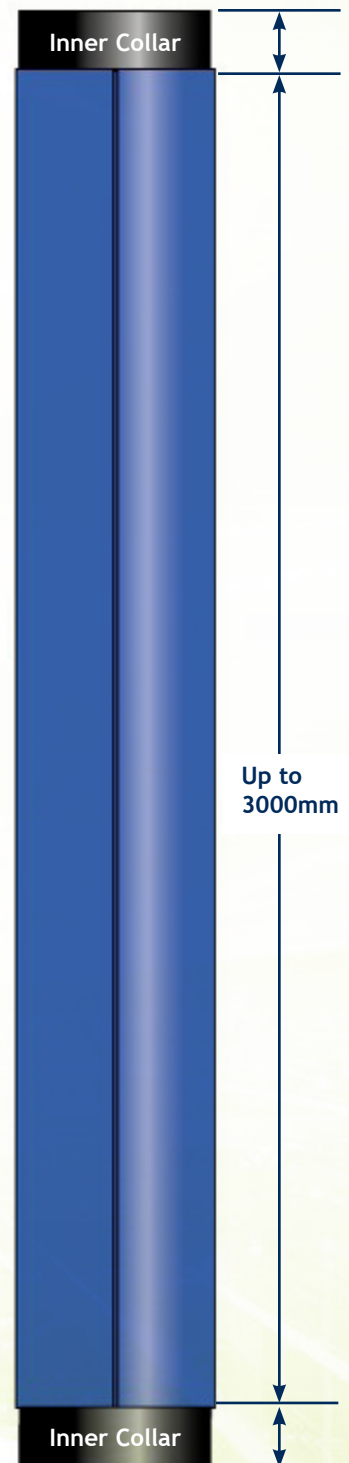
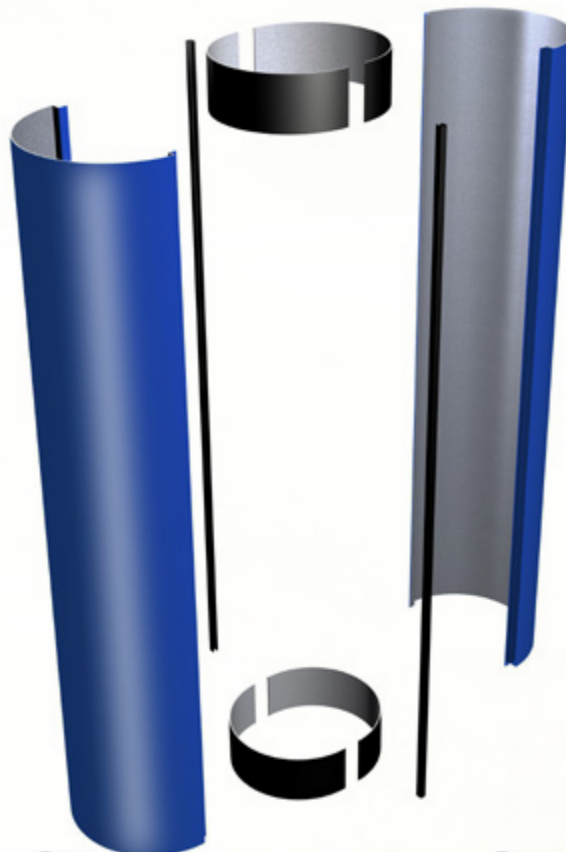
3mm non-combustible solid aluminium sheet



Robust powder coated finish



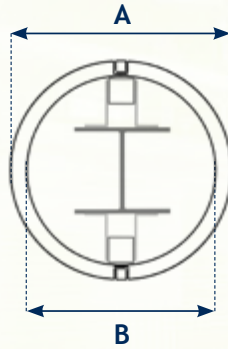
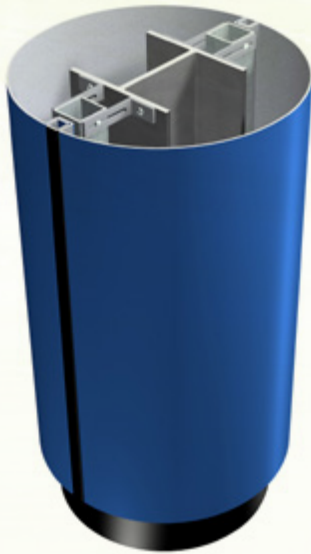
250mm bottom inner collar allows for tolerance and adjustment



Circular Column Casings

Circular Column Casings are supplied in 3m length as standard. The total installed height is approx. 3.4m which includes top/bottom collar.

Each casing is supplied complete with: outer casing, top and bottom inner collar and infill strip. (Substructure, mullion support and fixings not included)



Casing Diameter (A) (mm)	Collar Diameter (B) (mm)
300	244
400	344
500	444
600	544
700*	644
800*	744
900*	844
1000*	944

*All casings 700mm and above are supplied in quadrants.

Circular UniColour - 3m Length

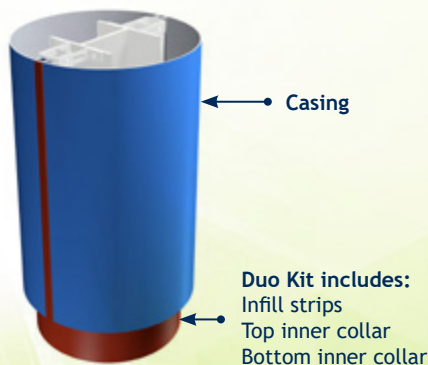
All components supplied in one colour - please specify colour when ordering.



Size (mm)	Code
300	CC30/3MPPC
400	CC40/3MPPC
500	CC50/3MPPC
600	CC60/3MPPC
700	CC70/3MPPC
800	CC80/3MPPC
900	CC90/3MPPC
1000	CC100/3MPPC

Circular DuoColour - 3m Length

Supplied in two colours - please specify required colour for the Casing and kit separately using the codes in the table.

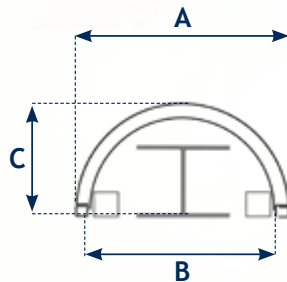


Size (mm)	Casing Code	Duo Kit Code
300	CC30/DC/3MPPC	CC30/KIT/PPC
400	CC40/DC/3MPPC	CC40/KIT/PPC
500	CC50/DC/3MPPC	CC50/KIT/PPC
600	CC60/DC/3MPPC	CC60/KIT/PPC
700	CC70/DC/3MPPC	CC70/KIT/PPC
800	CC80/DC/3MPPC	CC80/KIT/PPC
900	CC90/DC/3MPPC	CC90/KIT/PPC
1000	CC100/DC/3MPPC	CC100/KIT/PPC

Semicircular Column Casings

Semicircular Column Casings are supplied in 3m length as standard. The total installed height is approx 3.4m which includes top/bottom collar.

Each casing is supplied complete with: Outer Casing, Top and Bottom Inner Collar and Infill Strip. (Substructure, Mullion Support and Fixings not included)



Casing Diameter (A) (mm)	Collar Diameter (B) (mm)	Depth (C) (mm)
300	244	160
400	344	210
500	444	260
600	544	310
700*	644	360
800*	744	410
900*	844	460
1000*	944	510

*All casings 700mm and above are supplied in Quadrants.

Semicircular UniColour - 3m Length

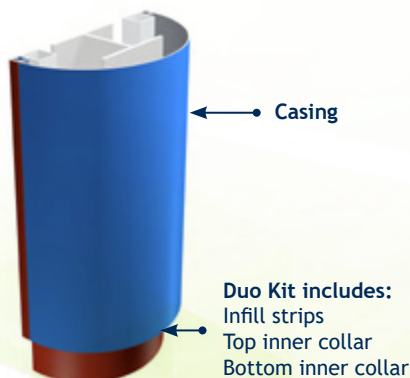
All components supplied in one colour-please specify colour when ordering.



Size (mm)	Code
300	CC30H/3MPPC
400	CC40H/3MPPC
500	CC50H/3MPPC
600	CC60H/3MPPC
700	CC70H/3MPPC
800	CC80H/3MPPC
900	CC90H/3MPPC
1000	CC100H/3MPPC

Semicircular DuoColour - 3m Length

DuoColour-Supplied in two colours, please specify required colour for the Casing and Kit Separately using the codes in the table.

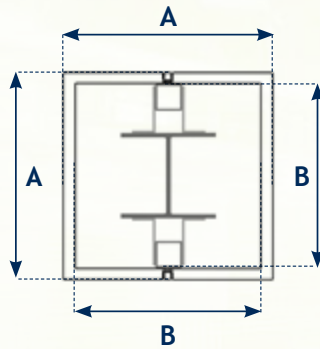


Size (mm)	Casing Code	Duo Kit Code
300	CC30H/DC/3MPPC	CC30H/KIT/PPC
400	CC40H/DC/3MPPC	CC40H/KIT/PPC
500	CC50H/DC/3MPPC	CC50H/KIT/PPC
600	CC60H/DC/3MPPC	CC60H/KIT/PPC
700	CC70H/DC/3MPPC	CC70H/KIT/PPC
800	CC80H/DC/3MPPC	CC80H/KIT/PPC
900	CC90H/DC/3MPPC	CC90H/KIT/PPC
1000	CC100H/DC/3MPPC	CC100H/KIT/PPC

Square Column Casings

Square Column Casings are supplied in 3m length as standard. The total installed height is approx 3.4m which includes top/bottom collar.

Each casing is supplied complete with: Outer Casing, Top and Bottom Inner Collar and Infill Strip. (Substructure, Mullion Support and Fixings not included)



Casing Dimension (A) (mm)	Collar Dimension (B) (mm)
250 x 250	194
350 x 350	294
450 x 450	394
550 x 550	494
650 x 650*	594
750 x 750*	694
850 x 850*	794
1000 x 1000*	944

*All casings 650x650mm and above are supplied in Quadrants.

Square UniColour - 3m Length

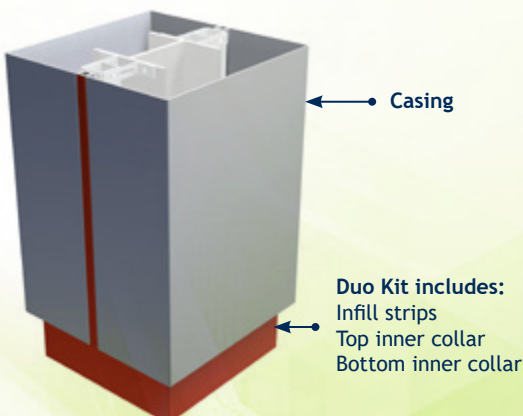
All component supplied in one colour-please specify colour when ordering.



Size (mm)	Code
250 x 250	CS25/3MPPC
350 x 350	CS35/3MPPC
450 x 450	CS45/3MPPC
550 x 550	CS55/3MPPC
650 x 650	CS65/3MPPC
750 x 750	CS75/3MPPC
850 x 850	CS85/3MPPC
1000 x 1000	CS100/3MPPC

Square DuoColour - 3m Length

DuoColour-Supplied in two colours, please specify required colour for the Casing and Kit Separately using the codes in the table.

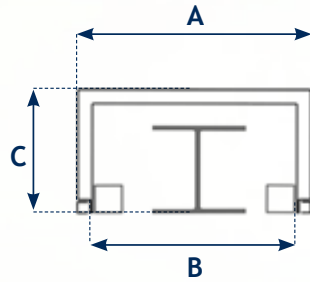


Size (mm)	Casing Code	Duo Kit Code
250 x 250	CS25/DC/3MPPC	CS25/KIT/PPC
350 x 350	CS35/DC/3MPPC	CS35/KIT/PPC
450 x 450	CS45/DC/3MPPC	CS45/KIT/PPC
550 x 550	CS55/DC/3MPPC	CS55/KIT/PPC
650 x 650	CS65/DC/3MPPC	CS65/KIT/PPC
750 x 750	CS75/DC/3MPPC	CS75/KIT/PPC
850 x 850	CS85/DC/3MPPC	CS85/KIT/PPC
1000 x 1000	CS100/DC/3MPPC	CS100/KIT/PPC

Semisquare Column Casings

Semisquare Casings are supplied in 3m length as standard. The total installed height is approx 3.4m which includes top/bottom collar.

Each casing is supplied complete with: Outer Casing, Top and Bottom Inner Collar and Infill Strip. (Substructure, Mullion Support and Fixings not included)



Casing Dimension (A) (mm)	Collar Dimension (B) (mm)	Depth (C) (mm)
250	194	135
350	294	185
450	394	235
550	494	285
650*	594	335
750*	694	385
850*	794	435
1000*	944	510

*All casings 650x650mm and above are supplied in Quadrants.

Semi Square UniColour - 3m Length

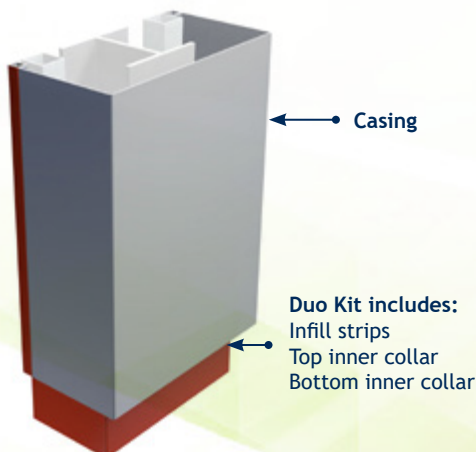
All component supplied in one colour-please specify colour when ordering.



Size (mm)	Code
250 x 135	CS25H/3MPPC
350 x 185	CS35H/3MPPC
450 x 235	CS45H/3MPPC
550 x 285	CS55H/3MPPC
650 x 335	CS65H/3MPPC
750 x 385	CS75H/3MPPC
850 x 435	CS85H/3MPPC
1000 x 510	CS100H/3MPPC

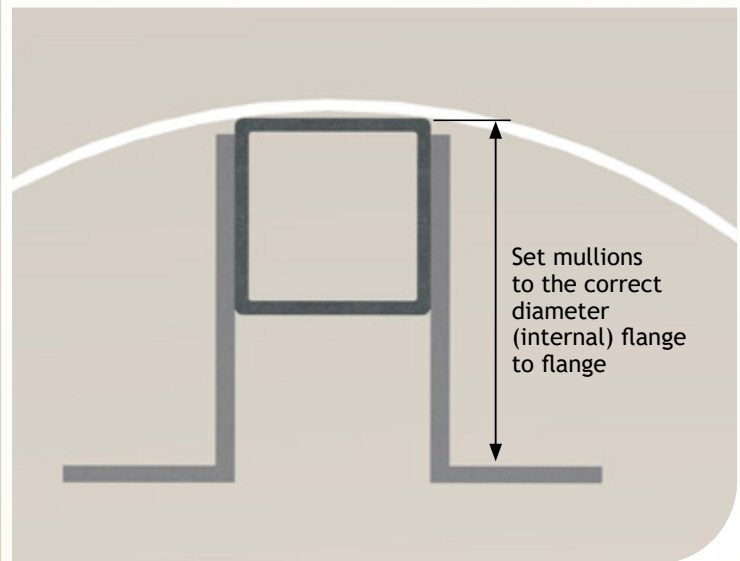
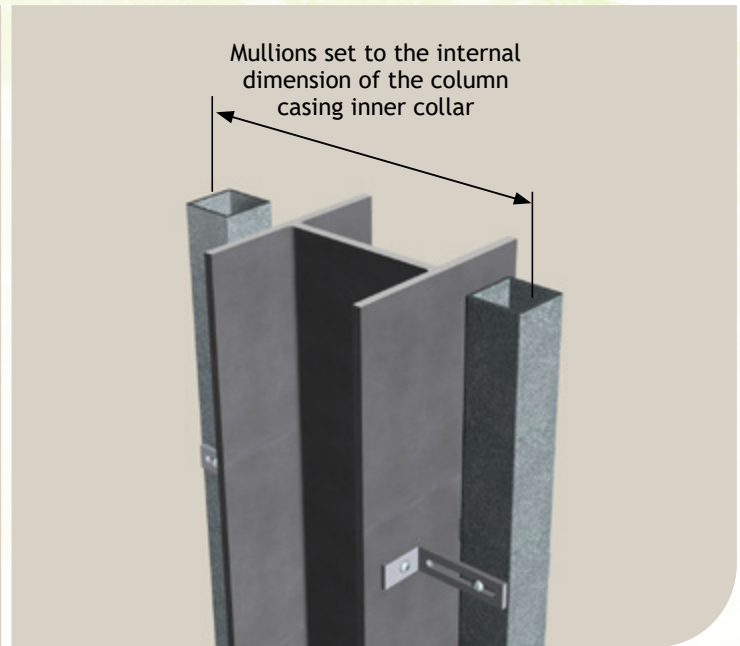
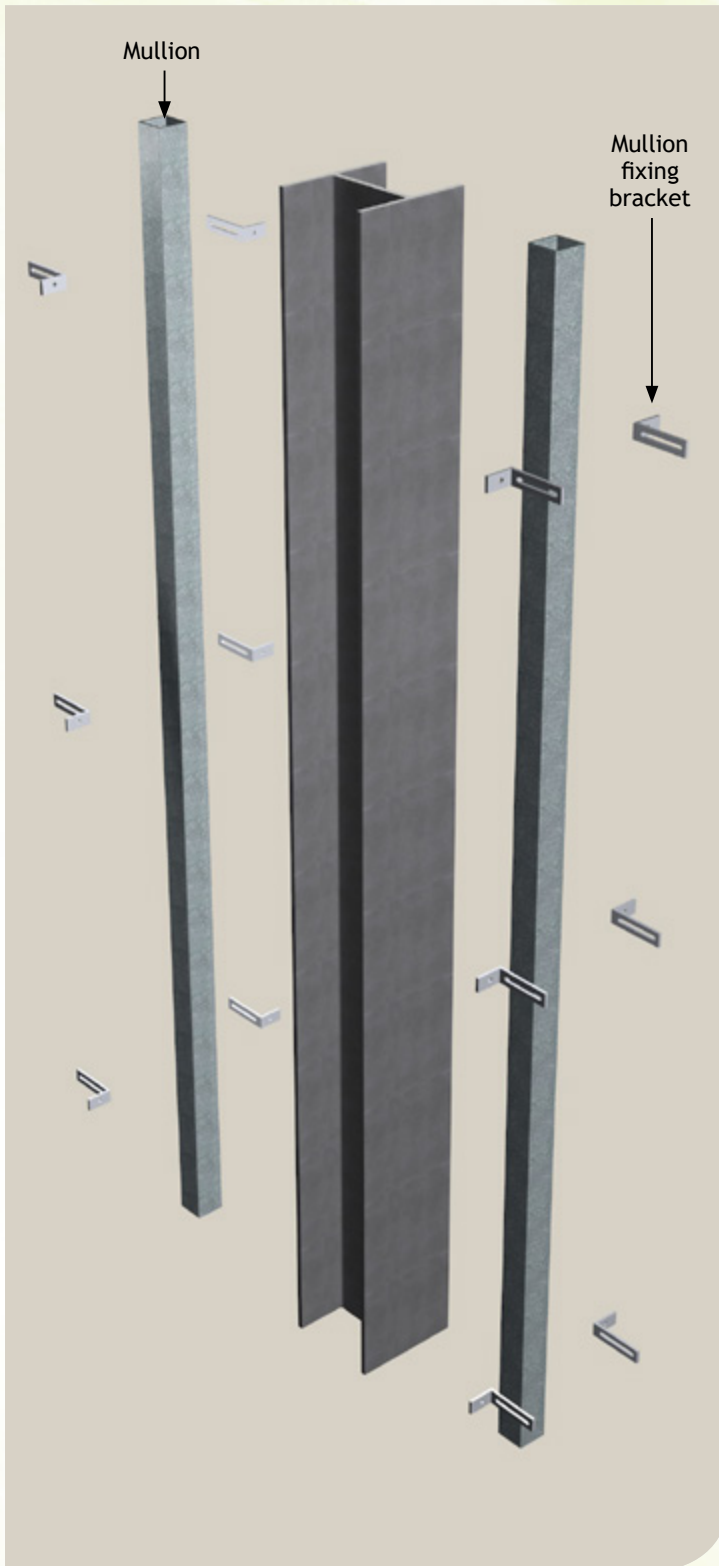
Semi Square DuoColour - 3m Length

DuoColour-Supplied in two colours, please specify required colour for the Casing and Kit Separately using the codes in the table.



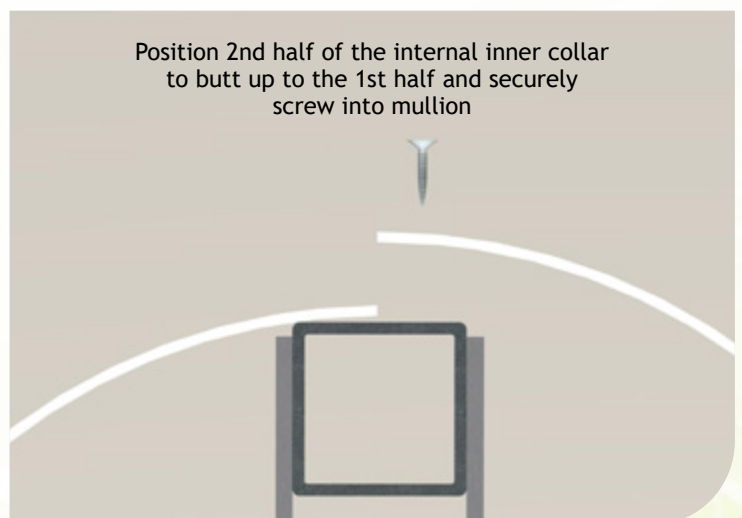
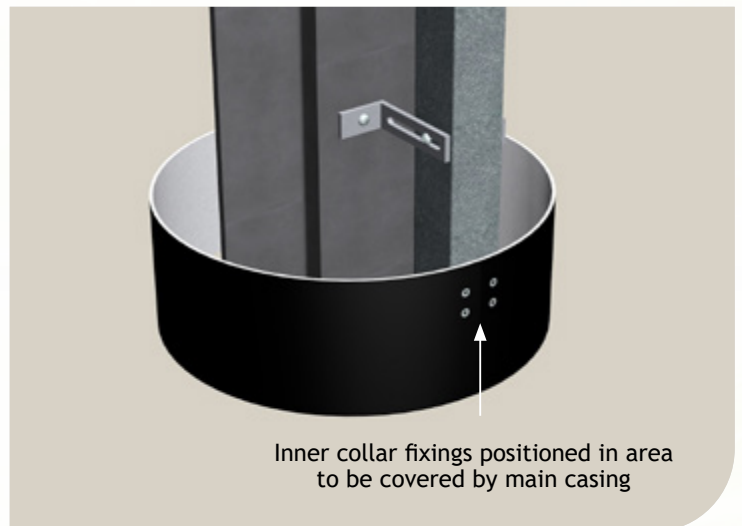
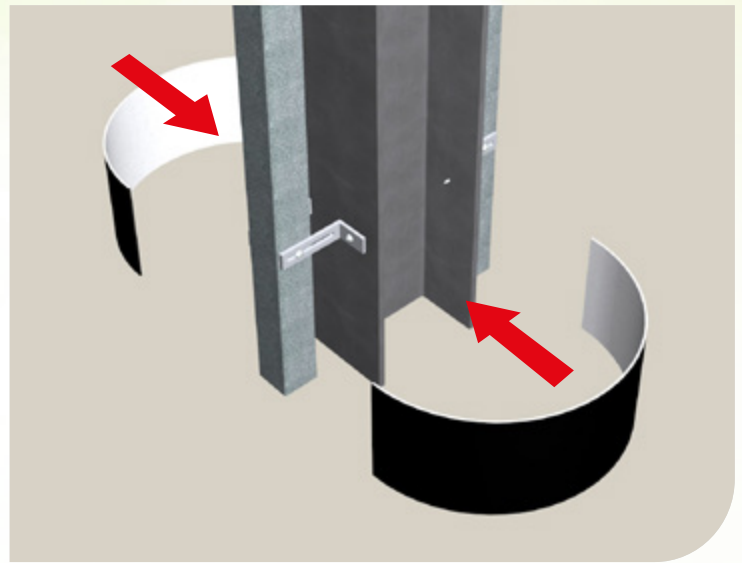
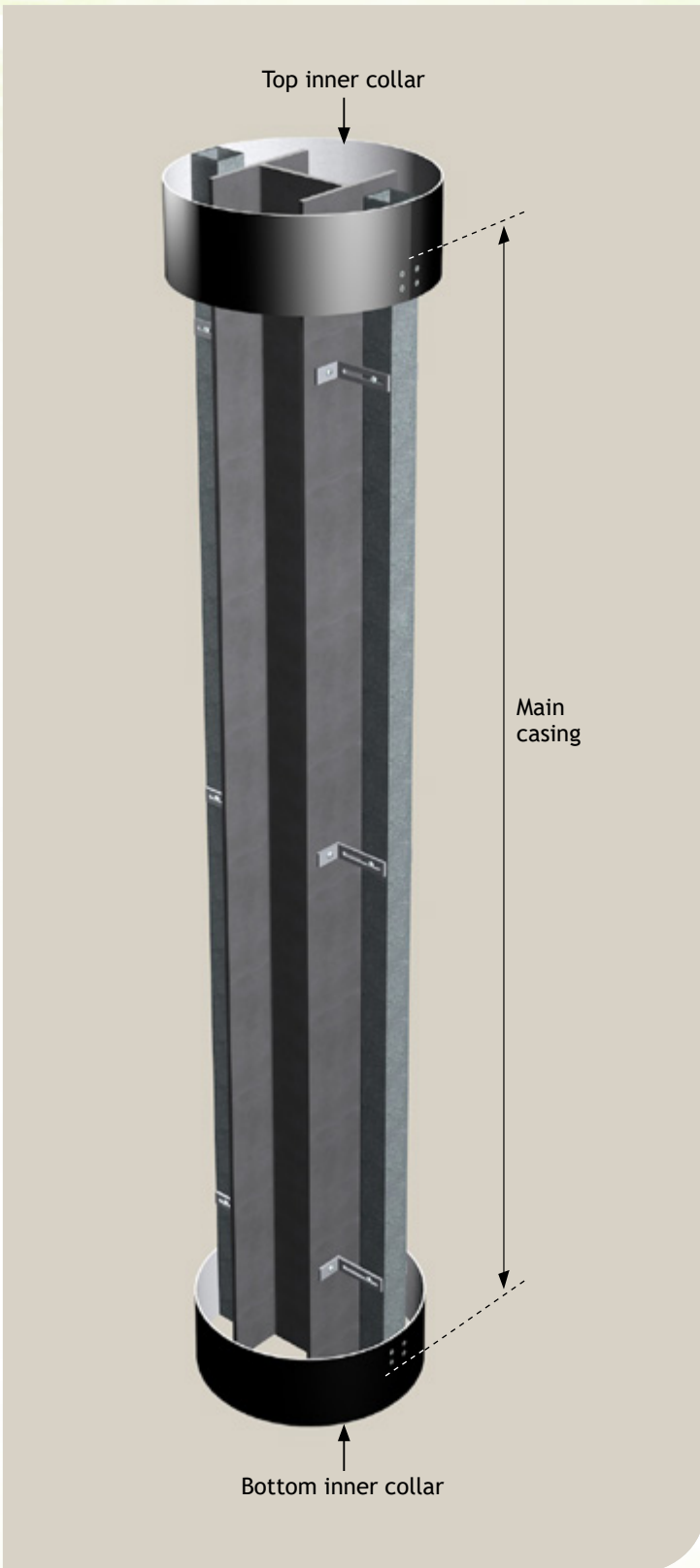
Size (mm)	Casing Code	Duo Kit Code
250 x 135	CS25H/DC/3MPPC	CS25H/KIT/PPC
350 x 185	CS35H/DC/3MPPC	CS35H/KIT/PPC
450 x 235	CS45H/DC/3MPPC	CS45H/KIT/PPC
550 x 285	CS55H/DC/3MPPC	CS55H/KIT/PPC
650 x 335	CS65H/DC/3MPPC	CS65H/KIT/PPC
750 x 385	CS75H/DC/3MPPC	CS75H/KIT/PPC
850 x 435	CS85H/DC/3MPPC	CS85H/KIT/PPC
1000 x 510	CS100H/DC/3MPPC	CS100H/KIT/PPC

Column Casings Installation Guide



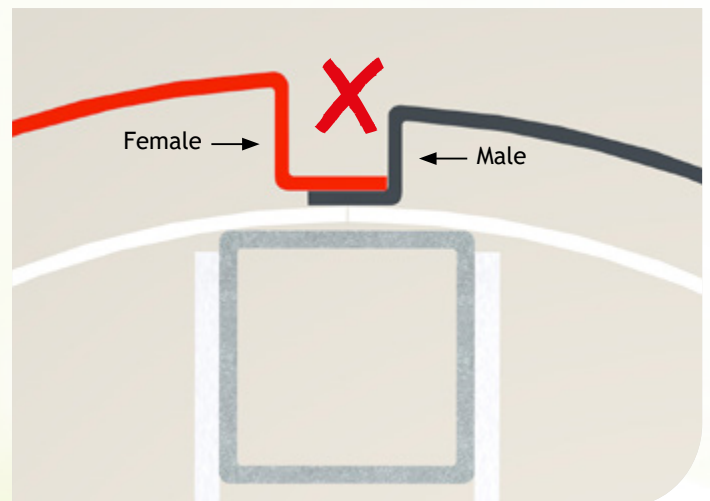
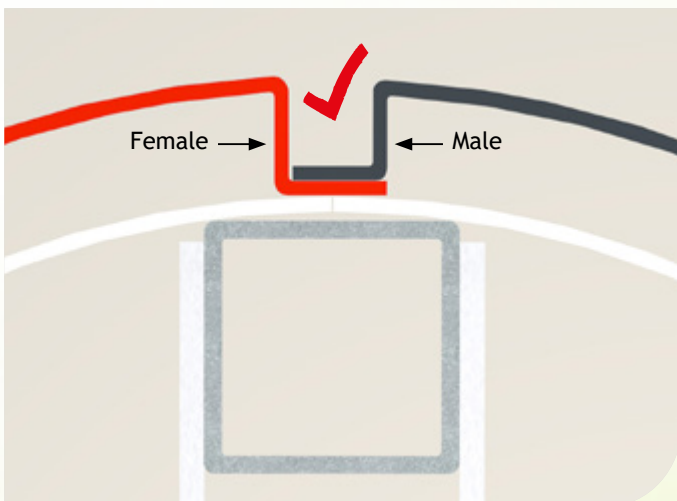
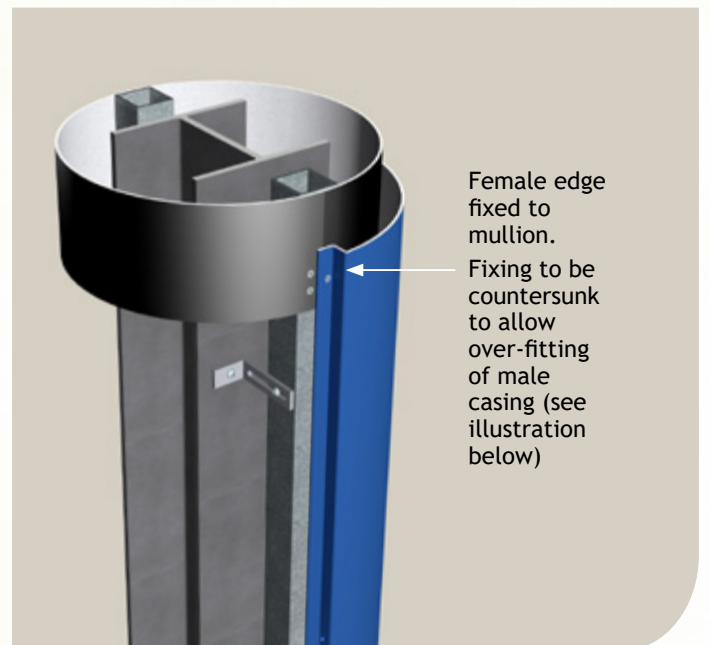
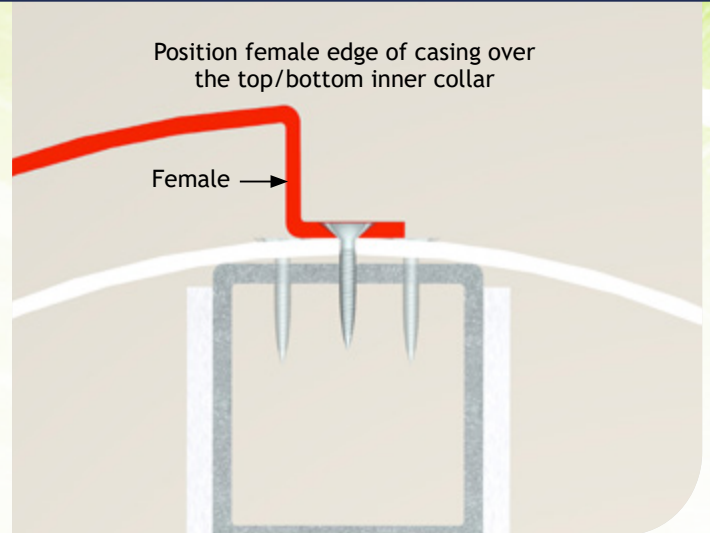
Code	Diameter	Mullion Dimension		Code	Square	Mullion Dimension	
		Inner collar	Column			Inner collar	Column
CC30	300mm	238mm	247mm	CS25	250x250mm	188mm	197mm
CC40	400mm	338mm	347mm	CS35	350x 350mm	288mm	297mm
CC50	500mm	438mm	447mm	CS45	450x 450mm	388mm	397mm
CC60	600mm	538mm	547mm	CS55	550x550mm	488mm	497mm
CC70	700mm	638mm	647mm	CS65	650x650mm	588mm	597mm
CC80	800mm	738mm	747mm	CS75	750x750mm	688mm	697mm
CC90	900mm	838mm	847mm	CS85	850x850mm	788mm	797mm
CC100	1000mm	938mm	947mm	CS100	1000x1000mm	938mm	947mm

1. Securely install a supporting framework around the existing structure using timber or metal mullions running vertically up the joint line of the column casing. It is important that the supporting mullions are installed at the correct width to correspond with the internal dimension of the column casing. These vary slightly for column casings installed with or without top/bottom inner collar. Please refer to the above table.

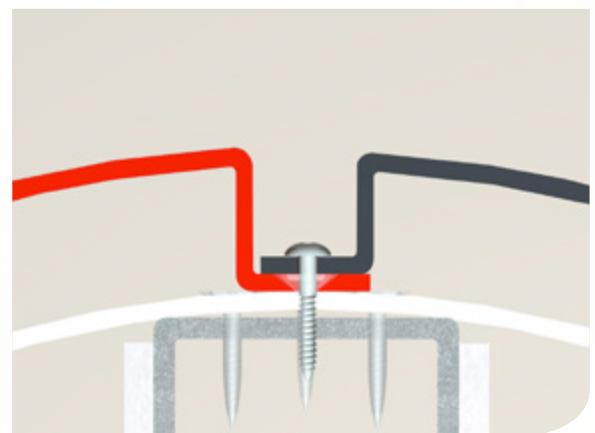
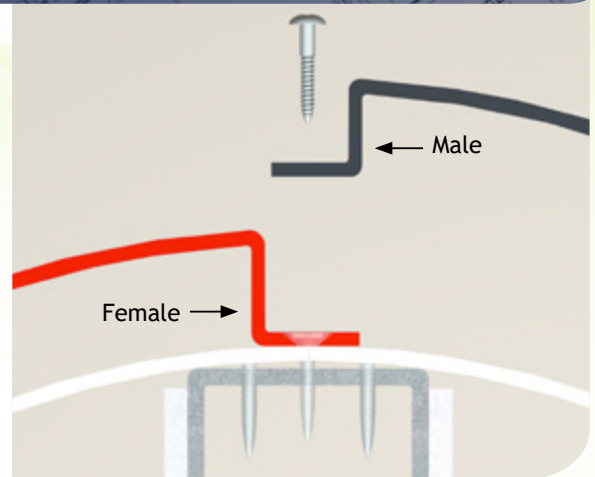
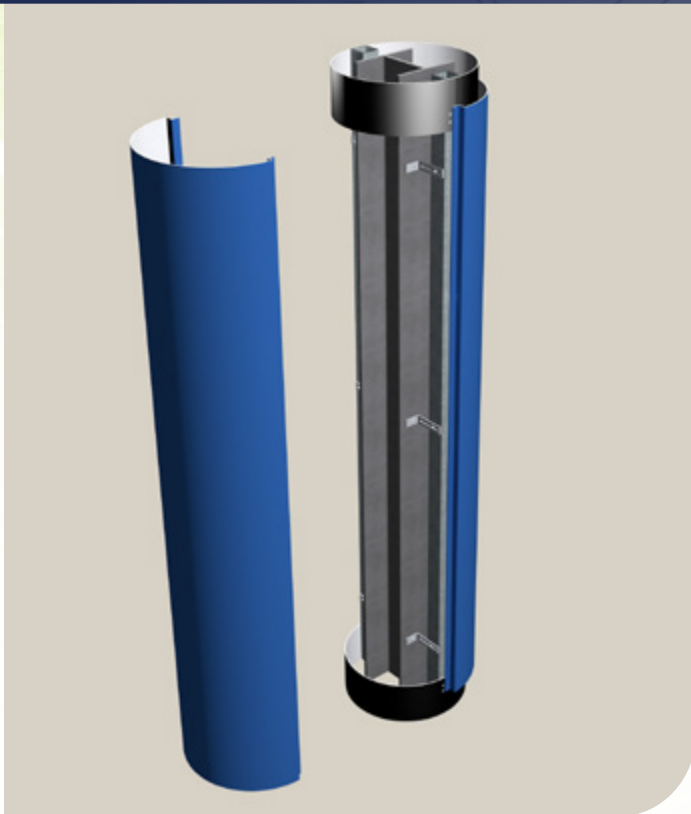


2. Mechanically fix inner collars to the aluminium (or timber) mullions, ensuring that fixings are positioned in such a way that they will be covered by the main column casing. Fixings should be countersunk flush to allow the main casing to fit over.

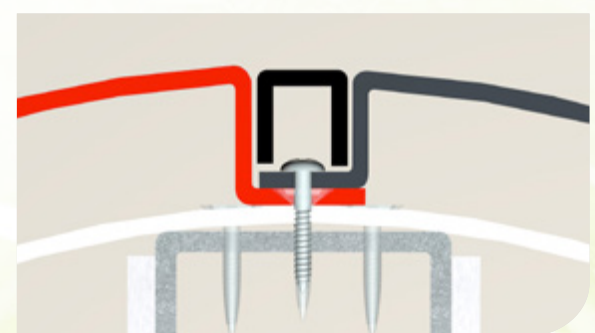
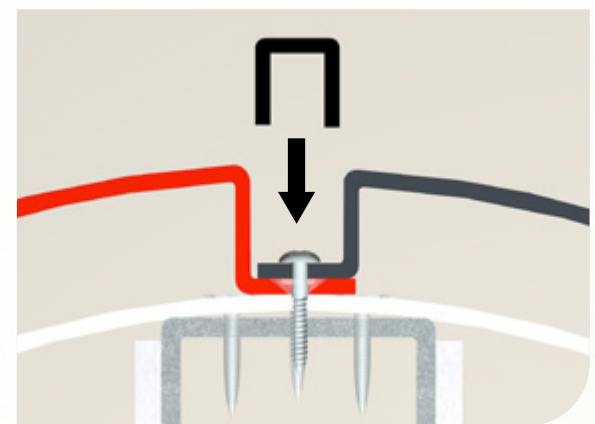
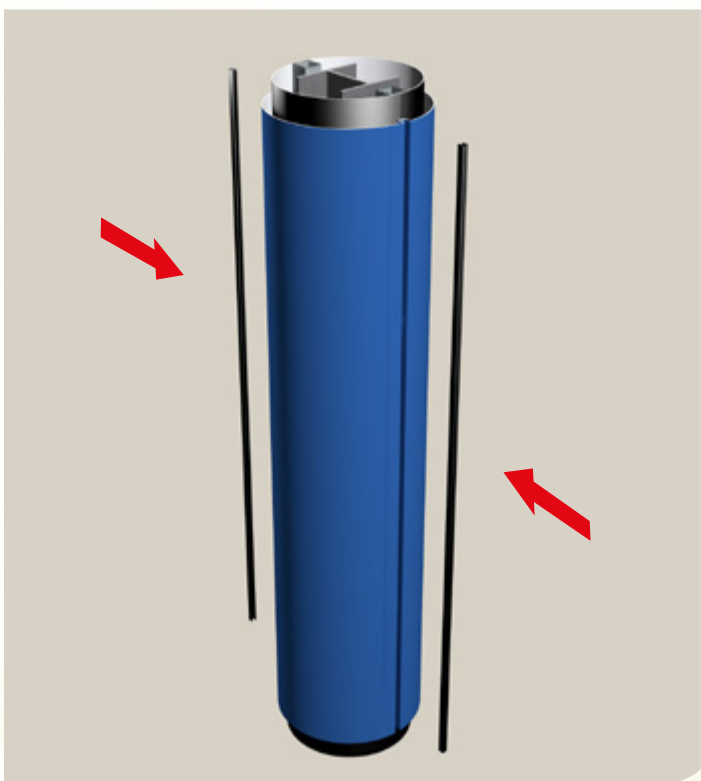
Column Casings Installation Guide



4. Using the mullion as a guide, starting with one half, locate the female edge and align vertically, ensuring the edge is plumb with the mullion. Place two countersunk fixings (top and bottom) to hold the half section temporarily in position. Use countersunk screws for this first section to accommodate the second section on top. Note: only fix one side for now (the female edge), do not fix the other side.



5. Take the other half section and marry up the male/female edges so that the column aligns correctly. Use a strap to hold sections together. Once in position, securely screw through female casing and mullion (avoid the same drilling position as the female section).



6. Check alignment and position, then mechanically fix through both halves into the mullion. Fixing at maximum 500mm centres recommended. Round head or hex head screws can be used at this stage as any fixing will be covered by the infill strip.



Door Canopies

Skyline Door Canopies offer visually attractive protection over external doors and openings to buildings. They are robust, environmentally friendly and give lifetime value.



Applications

- Providing shelter over door openings and points of access to buildings
- Contemporary design aesthetic that adds visual interest, variety and colour to a building façade

Features & Performance

- Standard components are lightweight, durable and corrosion resistant
- Completely waterproof in exterior applications
- Minimal maintenance required
- Life expectancy of aluminium: 40 years (rural/suburban areas); up to 25 years (industrial/marine areas)
- Aluminium is 100% recyclable

Manufacture

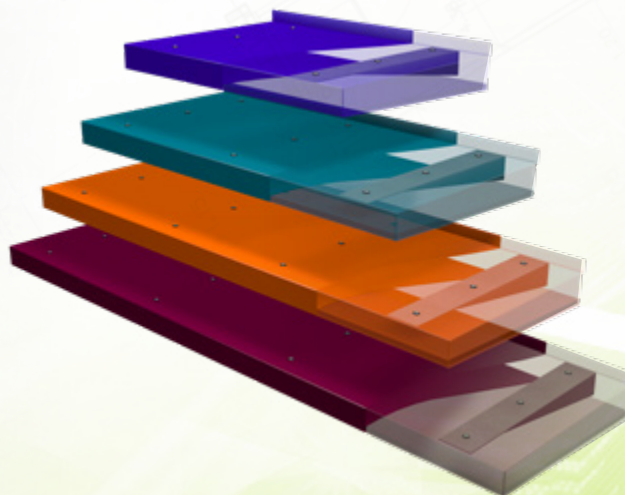
- Manufactured entirely in the UK

Colours & Finishes

- BBA approved polyester powder coatings in 26 factory applied colours from our in-house powder coating facility
- Any BS or RAL colour available to order

Installation & Fixing

- Delivered to site in pre-designed kit form
- Simple and quick to install



Door Canopies Range Overview



The Skyline range of door canopies offers a stylish and highly effective means of providing shelter and protection above external doorways and entrances to buildings.

Contemporary design in aluminium offers specifiers a choice of standard options that are suitable across a wide range of building types.

Skyline Door Canopies are robust, environmentally friendly, with low maintenance and give lifetime value. A choice of visually attractive canopy systems is available in a wide range of colours. Skyline Door Canopies are suitable for new build and retrofit applications.

Alternatively, we can manufacture purpose designed solutions to perfectly match your own vision and specification.



Skyline Canopies constitute a complete system that is simple to install, and which offers designers and specifiers a perfect combination of practicality, innovation, aesthetic appeal and low maintenance.

A range of standard Skyline Door Canopies is available. The CA90 range offers practical and economical canopy cover whilst the CA160 range provides additional drainage functionality. The BS150 range combines style with additional design features to create enhanced options for those wanting something a little different.

CA90 Canopy

See page 132

The CA90 canopy range has a slim 90mm front edge, giving it clean unobtrusive lines. There is an integral upstand to the wall, ready to accept a flashing. The Skyline CA90 Canopy has a fall that directs water to the front edge. The standard canopy gives 900mm of cover measured from the wall. Available in four widths: 1m, 1.5m, 2m and 2.5m. Other sizes can be made specifically to order.

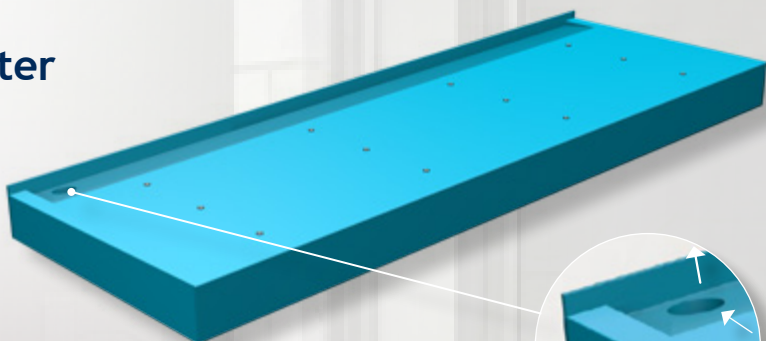


Available in any BS or RAL colour.

CA160 Canopy with integral gutter

See page 134

The CA160 canopy range has a bold 165mm front edge and features an integral gutter that drains water to a 63mm round universal outlet, which fits all Alumasc Rainwater pipe systems. Right-hand or left-hand outlet options are available to suit site requirements. The Skyline CA160 Canopy is available in three widths: 1.5m, 2m and 2.5m. Other sizes can be made to order if so required.



Available in any BS or RAL colour.



BS150 Canopy Range with side panel options

See page 136

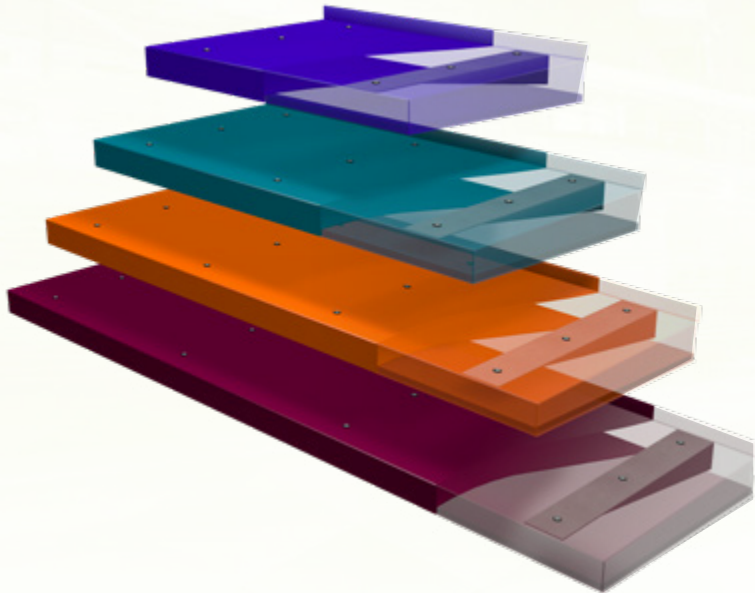
The Skyline BS150 Canopy range can be configured with side panels to provide a distinctive, contemporary visual aesthetic to the building facade. The range includes LED lighting and built in letterbox options. The Skyline BS150 Canopy is available in two widths: 1.6m and 2m.

Available in Anthracite Grey only.

Features & Benefits

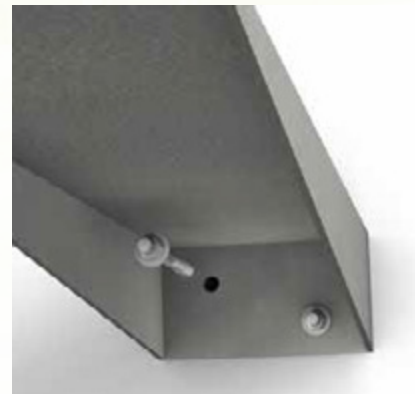
Skyline Door Canopies are offered in a range of standard sizes with varying features to suit different applications and requirements.

Our Architectural Door Canopies combine functionality with a contemporary design aesthetic that adds visual interest, variety and colour to a building façade.



Cantilever Bracket Design

- Cantilever bracket design allows for direct fixing to most façades
- Clean unobtrusive lines
- No rusting issues: aluminium is a clean material and will not leave unsightly rust marks often associated with other materials



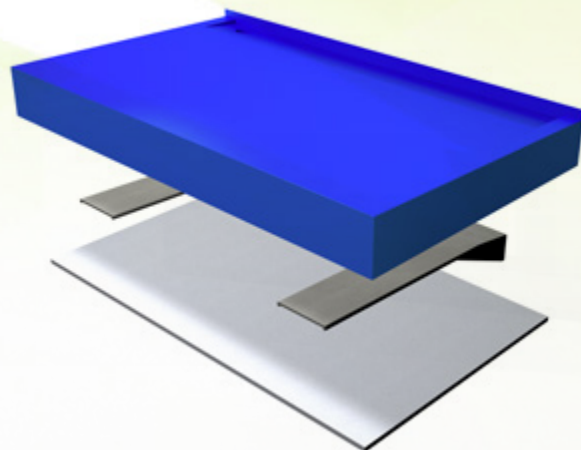
Easy to Assemble

- Lightweight components that are compatible with safe systems of work and do not require special lifting equipment
- Components are precision engineered for a perfect fit



Innovation by Design

- Available in various widths to allow for use on different openings; particularly useful on larger schemes where continuity of design is required for differing door openings
- The modular design allows for Skyline Canopies to be linked together to span larger door openings



Integral Drainage

- The Skyline CA160 Canopy with integral gutter includes left- or right-hand downpipe options



Aluminium Soffit Panel

- The solid aluminium sheet provides a robust and clean surface that is maintenance free
- Design allows for recessed spot or surface mounted lights to be fitted with easy access for wiring within the canopy

Quality Materials

- Made from non-combustible aluminium sheet
- Robust powder coated finish, factory applied BBA approved process
- Long life and low maintenance

CA90 Door Canopy

The CA90 Door Canopy range is an economical choice for domestic scale projects.

The standard range of CA90 Door Canopies has a projection of 900mm, providing ample shelter above a typical house entrance. Available in 1m, 1.5m, 2m and 2.5m widths to cater for single door, doors with side panel and double doors.

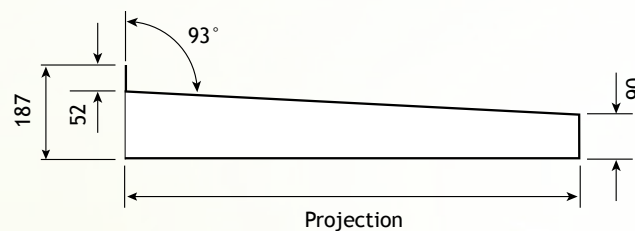
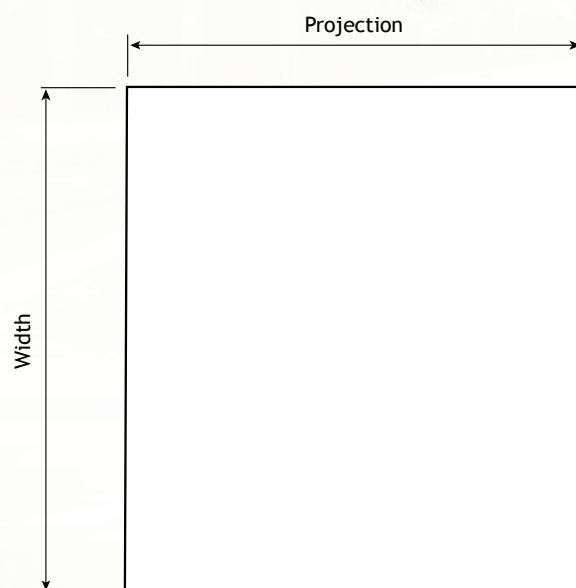
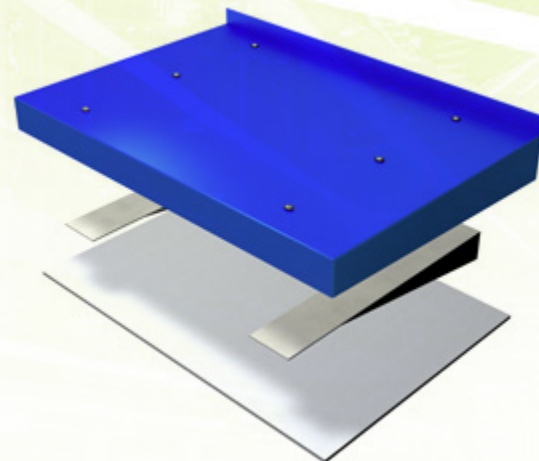


Modular option

Skyline CA90 Door Canopies can be linked in parallel using a jointer strip to create a greater continuous length of cover. For example, on the sides of buildings to cover pathways, or over large bifold door openings.

Bespoke

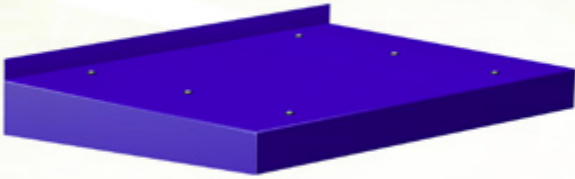
Where standard options are not suitable, we can design and manufacture bespoke solutions to client specification.



Width (mm)	Projection (mm)
1000	900
1500	900
2000	900
2500	900

We can match any BS or RAL colour of your choice

CA90 Door Canopy-1m



Width (mm)	Projection (mm)
1000	900

Product Code
CA/90/1100/1MPPC

- Suitable for door widths up to 900mm
- Wall fixing brackets = 2no
- Supplied powder coated to any BS or RAL colour

Note: Wall and canopy fixing screws not supplied. Please refer to installation guide.

CA90 Door Canopy-1.5m



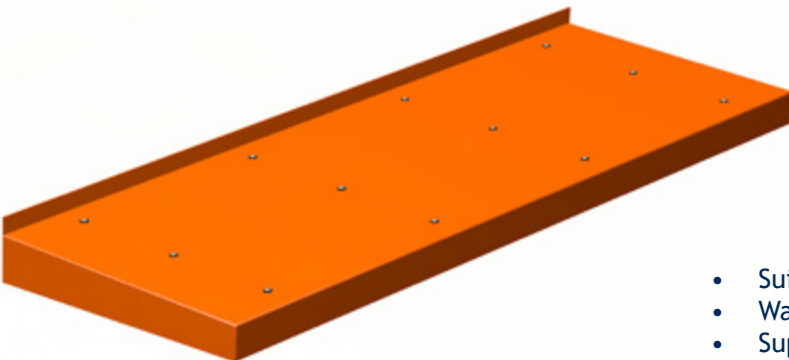
Width (mm)	Projection (mm)
1500	900

Product Code
CA/90/1100/1.5MPPC

- Suitable for door widths up to 1400mm
- Wall fixing brackets = 3no
- Supplied powder coated to any BS or RAL colour

Note: Wall and canopy fixing screws not supplied. Please refer to installation guide.

CA90 Door Canopy-2m



Width (mm)	Projection (mm)
2000	900

Product Code
CA/90/1100/2MPPC

- Suitable for door widths up to 1900mm
- Wall fixing brackets = 4no
- Supplied powder coated to any BS or RAL colour

Note: Wall and canopy fixing screws not supplied. Please refer to installation guide.

CA90 Door Canopy-2.5m



Width (mm)	Projection (mm)
2500m	900

Product Code
CA/90/1100/2.5MPPC

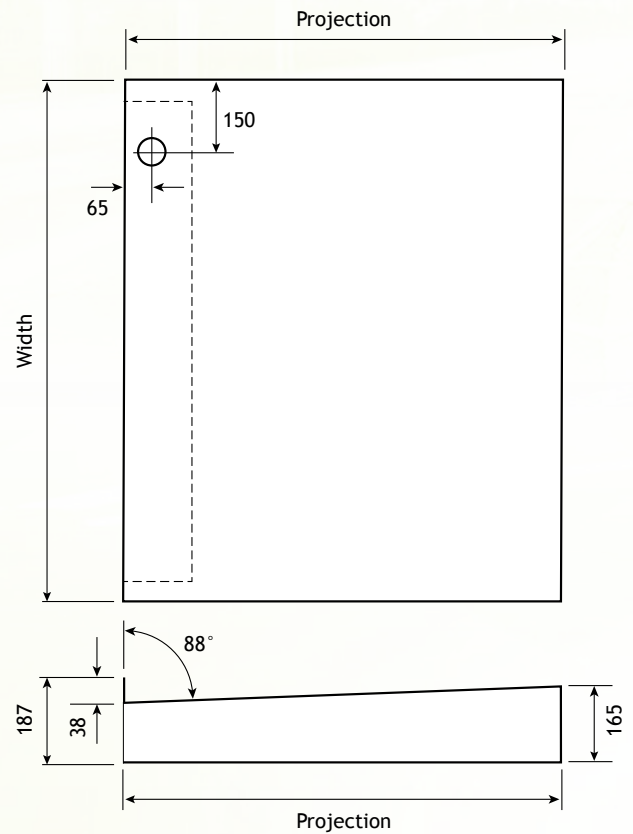
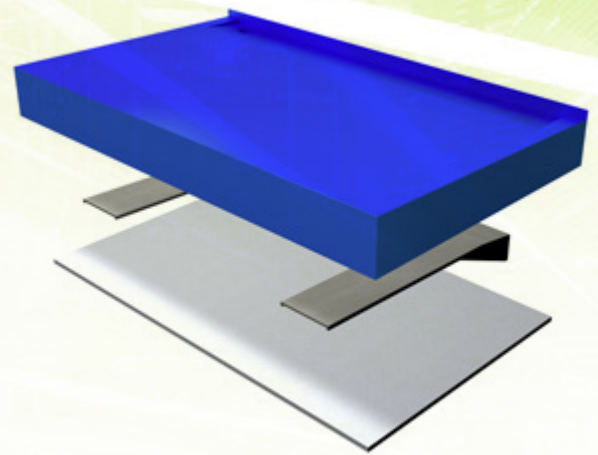
- Suitable for door widths up to 2400mm
- Wall fixing brackets = 4no
- Supplied powder coated to any BS or RAL colour

Note: Wall and canopy fixing screws not supplied. Please refer to installation guide.

CA160 Door Canopy

The CA160 Door Canopy incorporates built-in drainage, which diverts rainwater off the canopy into a small rainwater outlet located in an integral gutter at the building facade.

Outlets are available in right hand or left hand configurations to suit project drainage requirements. The Skyline CA160 Door Canopy features a bold 165mm front edge profile and has a shallow fall towards the building façade, where the built-in gutter captures the rainwater. The standard CA160 Door Canopy has a projection of 900mm and is available in 1.5m, 2m and 2.5m widths to cater for different opening sizes.



Modular option

Skyline CA160 Door Canopies can be linked in parallel using a jointer strip to create a greater continuous length of cover. For example, on the sides of buildings to cover pathways, or over large bifold door openings.

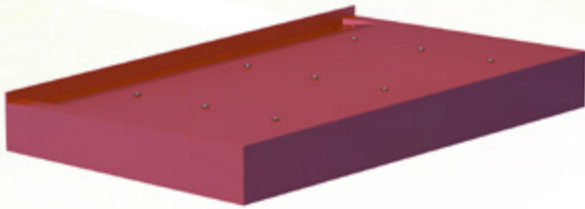
Bespoke

Where standard options are not suitable, we can design and manufacture bespoke solutions to client specification.

Width (mm)	Projection (mm)
1500	900
2000	900
2500	900

We can match any BS or RAL colour of your choice.

CA160 Door Canopy-1.5m



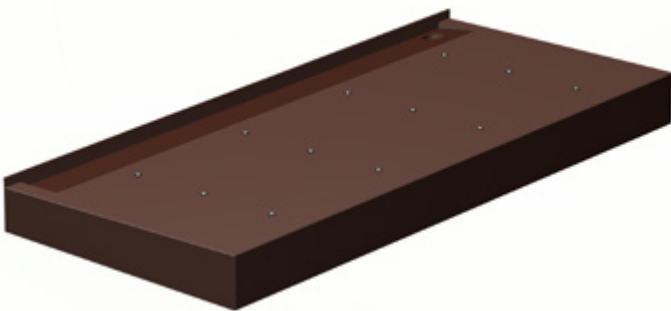
Width (mm)	Projection (mm)
1500	900

Outlet	Product Code
Left-hand	CA160/LH/1.5MPPC
Right-hand	CA160/RH/1.5MPPC

- Suitable for door widths up to 1250mm
- Wall fixing brackets = 3no
- 63mm dia rainwater outlet
- Supplied powder coated to any BS or RAL colour
-

Note: Wall and canopy fixing screws not supplied. Please refer to installation guide.

CA160 Door Canopy-2m



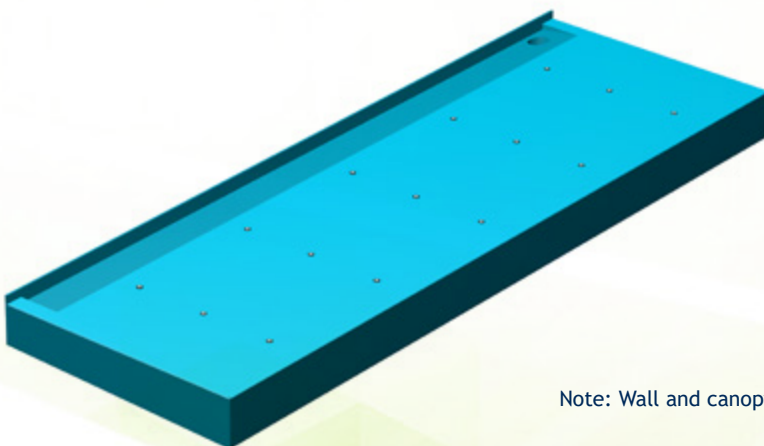
Width (mm)	Projection (mm)
2000	900

Outlet	Product Code
Left-hand	CA160/LH/2MPPC
Right-hand	CA160/RH/2MPPC

- Suitable for door widths up to 1750mm
- Wall fixing brackets = 4no
- 63mm dia rainwater outlet
- Supplied powder coated to any BS or RAL colour
-

Note: Wall and canopy fixing screws not supplied. Please refer to installation guide.

CA160 Door Canopy-2.5m



Width (mm)	Projection (mm)
2500	900

Outlet	Product Code
Left-hand	CA160/LH/2.5MPPC
Right-hand	CA160/RH/2.5MPPC

- Suitable for door widths up to 2250mm
- Wall fixing brackets = 5no
- 63mm dia rainwater outlet
- Supplied powder coated to any BS or RAL colour
-

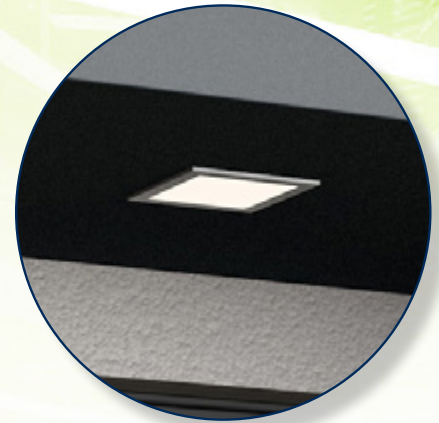
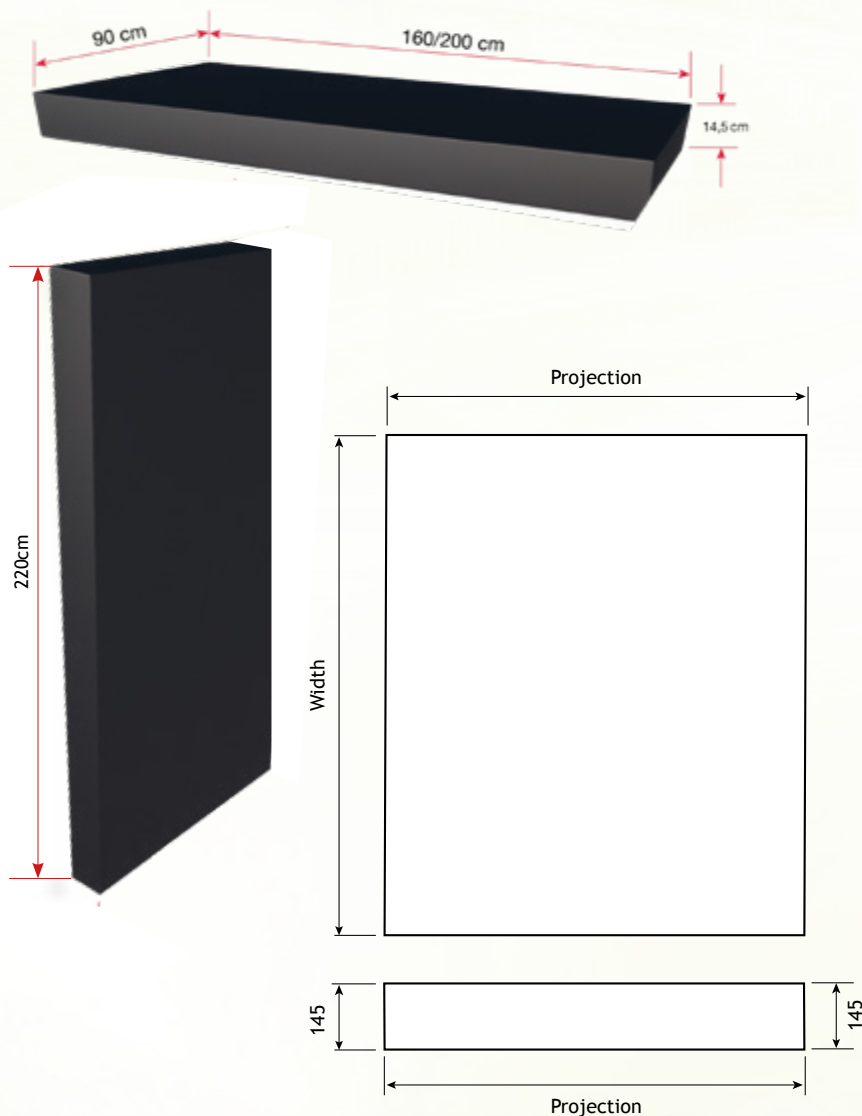
Note: Wall and canopy fixing screws not supplied. Please refer to installation guide.

BS150 Door Canopy

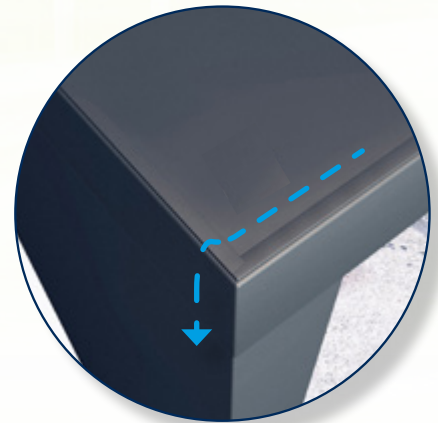
The Skyline BS150 Door Canopy incorporates a side panel for enhanced style and additional weather protection.

A continuous 145mm edge profile adds a strong and distinctive architectural feature to the building façade at points of entry. Available in widths of 1.6m and 2m, the BS150 range comprises right hand and left hand configurations. The Skyline BS150 Door Canopy is supplied with an integral LED light panel.

Available in Anthracite Grey



Lateral Drainage



Optional Built-in Mailbox



Width (mm)	Projection (mm)
1600	900
2000	900

Bespoke

Where standard options are not suitable, we can design and manufacture bespoke solutions to client specification.

BS150 Door Canopy Left

- Choose from 1.6m or 2m wide Door Canopy
- Large 2.2m x 900mm side shelter panel - left-hand
- Built-in central LED downlight
- Lateral drainage, the rainwater is directed down the edge of the side panel
- Bracketry and canopy fixings included (note that wall fixings are not supplied)
- Supplied in Anthracite Grey RAL7016m only

Optional

- Special sizes available on request - please enquire
- Built-in mailbox options available

Width (mm)	Front Edge (mm)	Projection (mm)	Product Code
1600	145	900	BS150/16/SPLH
2000	145	900	BS150/20/SPLH

BS150 Door Canopy Right

- Choose from 1.6m or 2m wide Door Canopy
- Large 2.2m x 900mm side shelter panel - right-hand
- Built-in central LED downlight
- Lateral drainage, drains rainwater down through the side panel to floor level
- Bracketry and canopy fixings included (note that wall fixings are not supplied)
- Supplied in Anthracite Grey RAL7016m only

Optional

- Special sizes available on request - please enquire
- Built-in mailbox options available

Width (mm)	Front Edge (mm)	Projection (mm)	Product Code
1600	145	900	BS150/16/SPRH
2000	145	900	BS150/20/SPRH

Bespoke Door Canopies

Bespoke Skyline Architectural Aluminium can make your project truly unique.

The Skyline product range is differentiated by our integrated design and manufacture service. If you cannot find a solution to your requirements from our standard ranges, we will manufacture for you a unique, bespoke solution to your exact specification.



Our specialist teams will advise and liaise with you to develop a brief that matches your requirements down to the finest element of detail. Once the brief is agreed, it is passed to our manufacturing facility, which will create a fully bespoke, individual end product for you.

“From concept to completion, Skyline can help realise your vision.”



Making an entrance

However your project is configured, we can manufacture door canopies that are the perfect fit in terms of performance and aesthetics.

The end result is striking and attractively resolved detailing at window and door openings, ideal in new build or refurbishment.



The perfect solution

Skyline Bespoke Door Canopies enable you to achieve eye-catching, individualistic architectural detailing around door openings.

The end result is total purpose-made harmony with visually seamless and clean architectural lines throughout all elements of the construction.

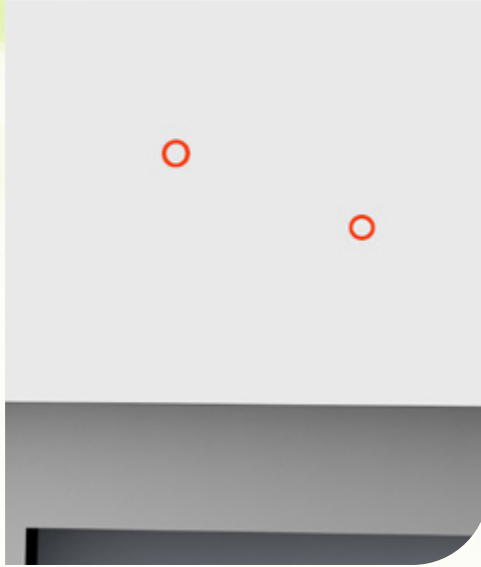


Designed to fit

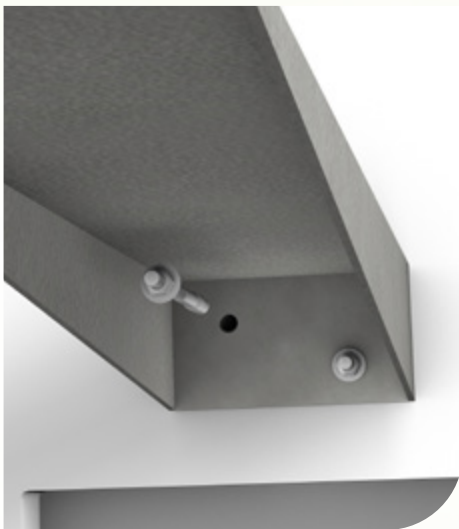
Smart detailing at balconies where additional infill panels and innovative detailing can combine to create a pleasing visual aesthetic and weatherproof functionality as part of a fully integrated design solution.



Door Canopies Installation Guide



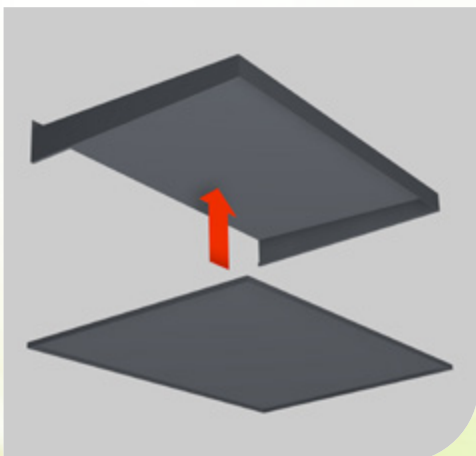
1. Position canopy and mark the wall bracket location. Using the two holes provided mark the fixing holes with a pencil or permanent marker. Drill holes to suit the chosen fixing method, anchor bolts or chemical anchor fixing is recommended.



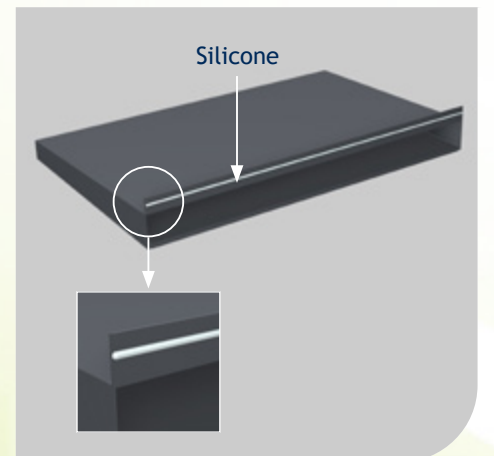
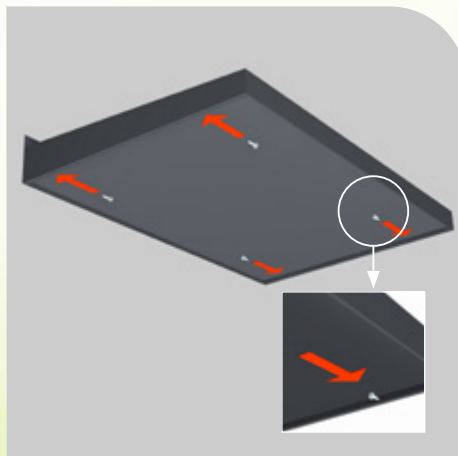
2. Install the first wall bracket.



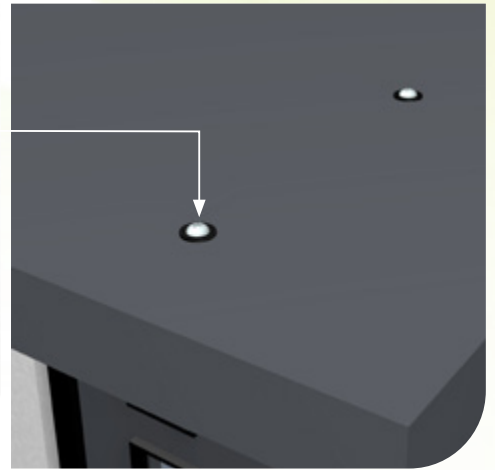
3. Level the wall bracket with a spirit level and check the position of the second wall bracket. Fit the second bracket into position. Double-check level after fixing, and adjust or pack as required.



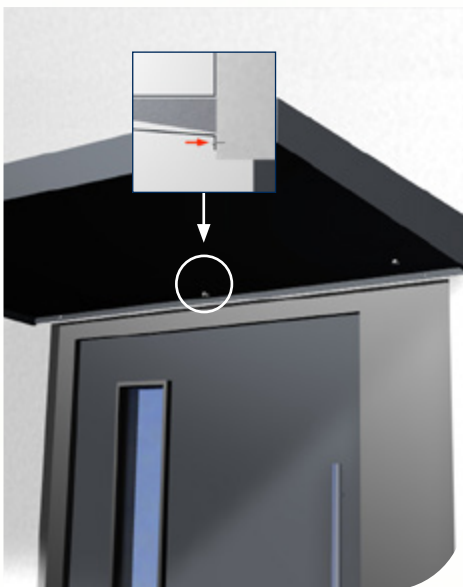
4. Assemble top section and soffit section with 4 self-tapping screws.



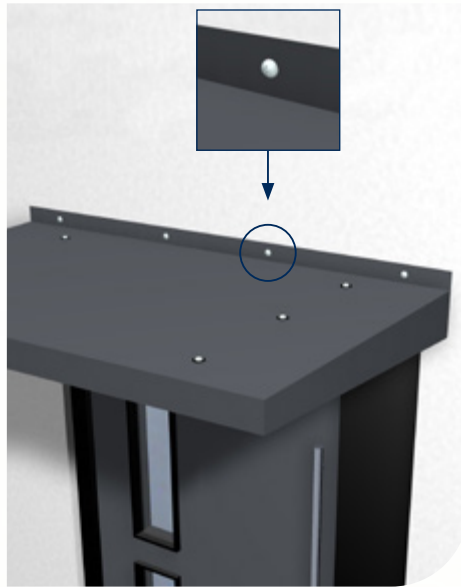
5. Apply a bead of silicone to the back of the upstand.



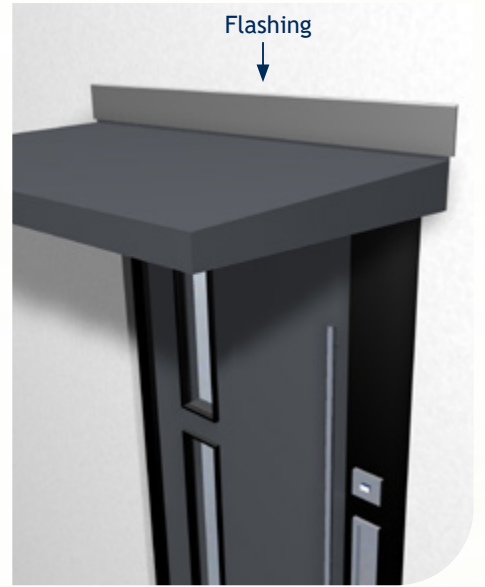
6. Slide assembled canopy onto the wall brackets until the canopy sits tight to the wall. Secure the canopy to the wall brackets using 6x self-tapping screws with rubber-washer (as shown).



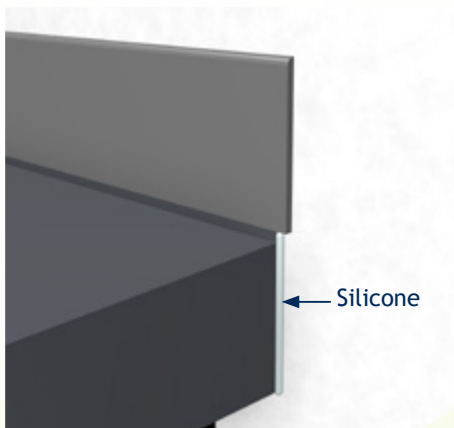
7a. Using the pre-drilled holes, fix through the soffit down stand into the wall.



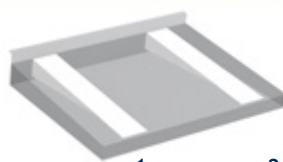
7b. Fix through the upstand into the wall.



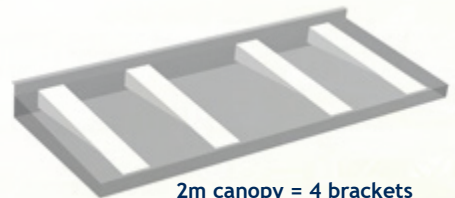
8. Finally, dress the top of canopy with lead or required flashing.



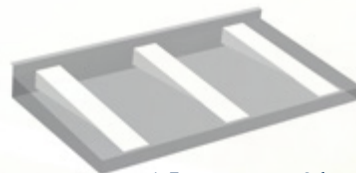
Optional: seal sides with a high-quality low modulus silicone i.e., Dow Corning or Adshhead Ratcliffe colour matched to the same colour as the canopy, alternatively use a translucent colour.



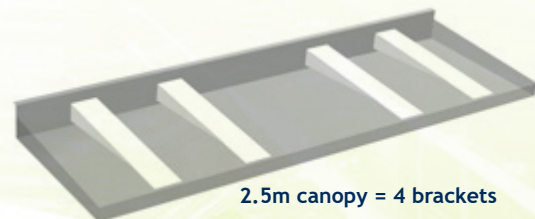
1m canopy = 2 brackets



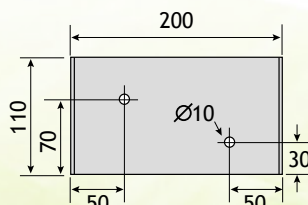
2m canopy = 4 brackets



1.5m canopy = 3 brackets



2.5m canopy = 4 brackets



Architectural Planters

At a time when there is increasing awareness of the need to create green building environments, Skyline Architectural Aluminium offers a range of architectural planters designed for living plants and shrubs.

In addition to providing an attractive visual feature, such controlled planting can contribute to the absorption of carbon dioxide and the release of oxygen in built-up urban environments where planting would be otherwise impossible.



Applications

- Any building or area of the built environment where land is unavailable or limited for natural planting of trees and shrubs

Features & Performance

- An attractive and flexible architectural aluminium solution to planting within built-up urban environments
- Planters are easy to handle, weatherproof and maintenance free
- Aluminium is 100% recyclable

Manufacture

- Manufactured entirely in the UK

Colours & Finishes

- BBA approved polyester powder coatings in 26 factory applied colours from our in-house powder coating facility
- Any BS or RAL colour available to order

Installation & Fixing

- Planters delivered to site ready for installation and use



See page 146

Architectural Planters Range Overview

Skyline Architectural Planters offer an ingenious solution to the greening of built urban environments. Our planters range gives architects and designers great flexibility to create practical and appealing planting schemes from simple to sophisticated.

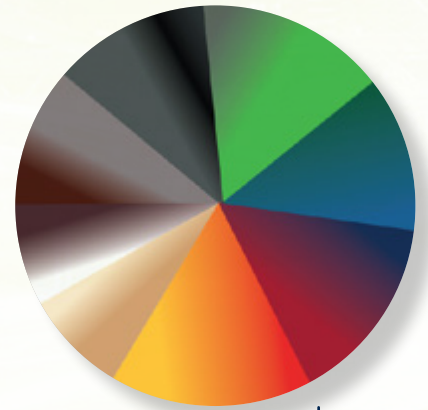
Our planters can be installed individually in small spaces, or in combination to dramatic effect in larger areas. Planter combinations of varying size, height and length can be used practically to define and separate space, as well as creating powerful visual interest.



Manufactured from 2mm and 3mm aluminium sheet, and incorporating the key features of raised feet and heavy-duty drainage base, Skyline Architectural Planters are designed for a long service life.

Skyline Architectural Planters are supplied in a range of standard sizes, with extender kits available for installing a series of planters in sequence.

If you cannot find a planter that meets your requirements in our standard range, we can manufacture a solution that is purpose made to your specific requirements.



Colours

Planters are available in Alumasc's trusted range of polyester powder coatings from our BBA approved Raincote range. Standard colours include 26 RAL colours. Alternatively, we can offer any additional BS or RAL colour to order.

Raised Feet

The two side panels of Skyline Planters are designed with raised feet, giving 20mm clearance at the base for drainage and ease of installation on an uneven substrate. The raised feet also provide an attractive shadow line at the base of the planter.





Planting Area

Skyline Planters are available in three ranges, 400, 500 and 600, in varying heights, lengths and depths. All sizes have been designed to give optimum planting area whilst ensuring adequate soil depth and drainage area.



Folded Edge

All planters have a fully folded top edge detail for strength and stiffness. This feature gives Skyline Planters a smooth overall appearance without sharp edges.



Integrated Drainage

An integral base plate ensures that soil weight is evenly distributed at low level whilst acting as an anchor for the planter. The base plate incorporates holes for water drainage and rigidity channels lengthwise for strength.



Architectural Planters



These pages show our standard range of architectural planters, which are delivered to site flat packed for site assembly. Planters are powder coated in a wide range of standard colours, with any BS or RAL colour available to special order.

Skyline Architectural Planters can be installed in sequence and in varying sizes and colours to create texture and interest in a space.

400 Planter Range

The 400 Skyline Planter Range comprises a 400mm deep planter, available in 400mm, 500mm and 700mm heights, and in lengths of either 1m or 1.5m.



Depth (mm)	Height (mm)	Length (mm)	Product Code
400	400	1000	AP44/100PPC
400	400	1500	AP44/150PPC
400	500	1000	AP45/100PPC
400	500	1500	AP45/150PPC
400	700	1000	AP47/100PPC
400	700	1500	AP47/150PPC

Note: other sizes can be made to order.

500 Planter Range

The 500 Skyline Planter Range comprises a 500mm deep planter, available in 500mm and 700mm heights, and in lengths of either 1m or 1.5m.



Depth (mm)	Height (mm)	Length (mm)	Product Code
500	500	1000	AP55/100PPC
500	500	1500	AP55/150PPC
500	700	1000	AP57/100PPC
500	700	1500	AP57/150PPC

Note: other sizes can be made to order.

600 Planter Range

The 600 Skyline Planter Range comprises a 600mm deep planter, available in 500mm and 700mm heights, and in lengths of either 1m or 1.5m.



Depth (mm)	Height (mm)	Length (mm)	Product Code
600	500	1000	AP65/100PPC
600	500	1500	AP65/150PPC
600	700	1000	AP67/100PPC
600	700	1500	AP67/150PPC

Note: other sizes can be made to order.

Planters Assembly Guide

Components

- 1 Front/Back panel x 2
- 2 Side panel x 2
- 3 Base plate x 1
- 4 Button head m6 Allen head socket bolts*
- 5 Spire spring u-clips*

* Quantities vary depending on planter size, x8 on small planters and x12 on larger planters.

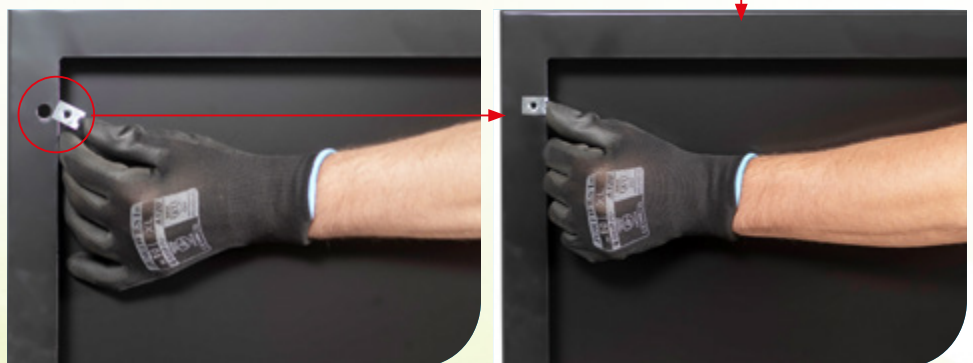
Tools required (not included)
4mm Allen key.



1. Check components and lay them out flat to ensure that all are present. Identify the top and bottom edge of each panel to ensure correct alignment in preparation for assembly. During assembly, ensure that the outer coating is protected to avoid scratching or damage – for example, do not lay panels on a hard concrete or an uneven, potentially damaging substrate. Use a cardboard or other protective sheet during assembly.



2. Insert the spire spring u-clip to each corresponding hole on the front/back panel (x8 or x12 depending on planter size). Ensure that u-clip is installed the correct way around with the thread to the back of the hole.





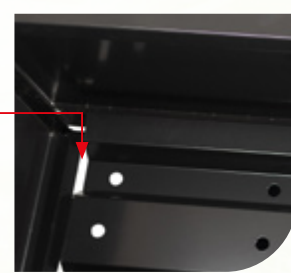
3. Starting at one end, offer the side panel up to the front/back panel and align with the corresponding holes and u-clip.



4. Using the bolts provided, insert and tighten using a 4mm Allen key. Ensure that the top edge of the planter is flush before tightening.



5. Continue the procedure noted in Point 4 until all four panels are assembled.



6. Insert base plate by simply placing inside the planter. Note that the channel should face downward with the edge of the base plate hooking over the front/back panel. This ensures that the weight of the soil will not cause displacement/distortion of the front, back and side panels.

7. Prior to planting, ensure that the planter is on level ground. If installing on balcony, decking or any raised platform, ensure that the platform is structurally sound and capable of taking the weight. Before filling with soil, it is recommended that a layer of garden fabric is used to line the planter; this will help protect the aluminium from direct contact with the soil.



Line the inside with garden fabric prior to planting

SKYLINE

ARCHITECTURAL ALUMINIUM

www.alumascwms.co.uk

AWMS - BURTON LATIMER

Station Road
Burton Latimer
Kettering
Northamptonshire
NN15 5JP

+44 (0)1536 383 810
info@alumascwms.co.uk



ALUMASC

WATER MANAGEMENT SOLUTIONS



www.alumascwms.co.uk