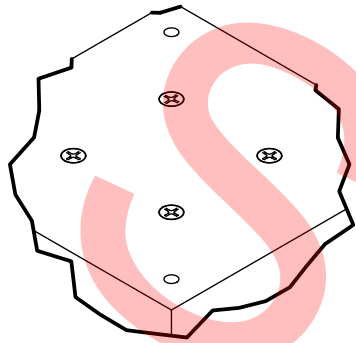
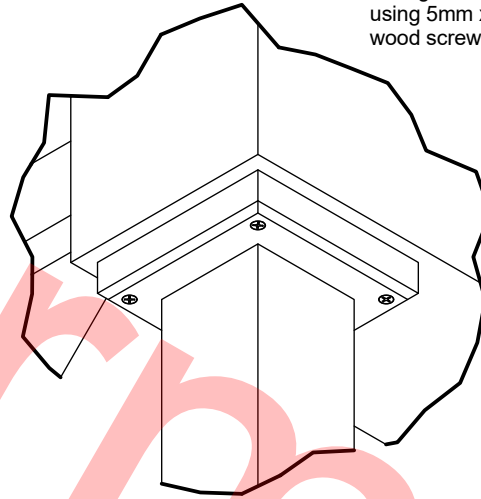


A (1:3)

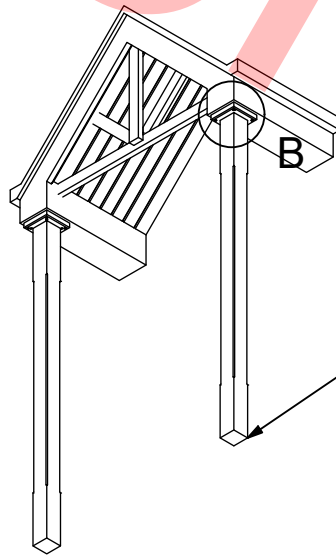
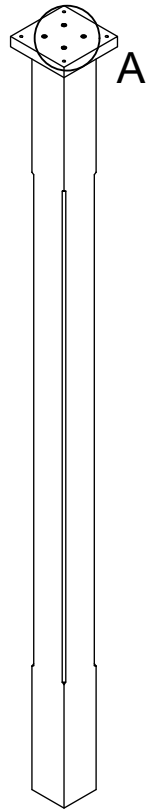
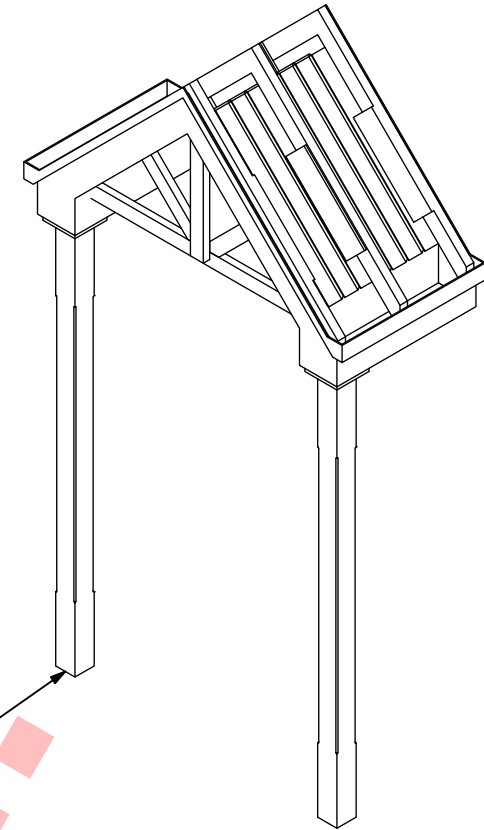


Firstly attach the post plate to the top of the post through the central post plate holes using 5mm x 50mm (min length) wood screws.

B (1:5)



Secondly attach the post plate to the underside of the canopy through the outer post plate holes using 5mm x 50mm (min length) wood screws.



Bottom of the post to be fixed to the ground / structure using suitable post base/shoe to suit the installation and the Stormking post being used, either 88mm, 100mm, 125mm or 150mm square post.

88mm / 100mm / 125mm / 150mm Posts

A	1st Issue	14/09/2020	P O
REV	DESCRIPTION	DATE	AUTHOR
REVISION HISTORY			
Approved	Date	Drawing Number	post fitting
Manuf. App	Manuf. App	Sheet 1	Of 1 Revision A



Amington Point, Sandy Way, Amington Ind. Est,
TAMWORTH, Staffordshire. B77 4ED

Description
**Stormking Post and Post plate
Fixing**

Designed by
Dan Priest
Date
14/09/2020
Manufacture Notes
Scale
Checked
RS