

Cylinders



UNION offer a range of cylinder systems to suit most applications and projects. A number of considerations should be taken into account in order to select the most suitable cylinder system for your application. Please contact UNION Customer Services for further advice.

System Patent

Patent protection prevents unauthorised duplication of keys

Product Range

Comprehensive range of cylinders in various profiles and sizes, with the ability to integrate padlocks

Functions

To meet modern specification requirements including clutch release and classroom functionality

- **What is a Construcion Key Cylinder?**
 - Typically used on building sites, where employees need access to the building during construction, but should not have access when the home owner has moved in. The first operation of the home owner's key will permanently disable the builder's key
- **What is a Clutch Release Cylinder?**
 - Designed to prevent somebody on the inside of the door from holding the turn and locking key holders out. Insertion of the key disengages the clutch, which allows the turn to rotate freely without engaging the cam
- **What is Classroom Functionality?**
 - This is a function in a thumb-turn cylinder making it possible to rotate the thumb-turn in one direction only, ie, clockwise or anti-clockwise only. This is usually used to ensure that someone inside a room cannot lock anybody out but can always escape in an emergency. The cylinder is also clutch release as standard so somebody in the room cannot prevent a key holder from entering

Physical Security

Resistance to a number of physical attacks such as picking, drilling and bumping. For further details please see each individual section

Key Control Systems

UNION cylinders can be supplied individually keyed, keyed alike, keyed to pass or masterkeyed

Masterkeying Capability

Cylinder systems offer various levels of Masterkeying capability to suit a variety of applications, from small scale jobs to extensive projects (schools, hospitals, commercial, etc)

Finishes

UNION Cylinders are available in a number of finishes. For further details please see each individual section.

Cylinders - DTEC



ASSA ABLOY

UNION DTEC is a fully patented high security cylinder system. It operates combining a traditional 6-pin mechanism together with the added security of four DTEC side pins and a side bar. The DTEC system has over 240,000 key combinations, making the system ideal for specification on projects where high security is required. A DTEC key cannot be reproduced by anyone who has not been legally authorised to do so.



UNION DTEC cylinders operate on a row of six lateral pins in combination with a side bar mechanism.

DTEC cylinders can be supplied individually keyed, keyed alike, construction keyed or master keyed.

Features:

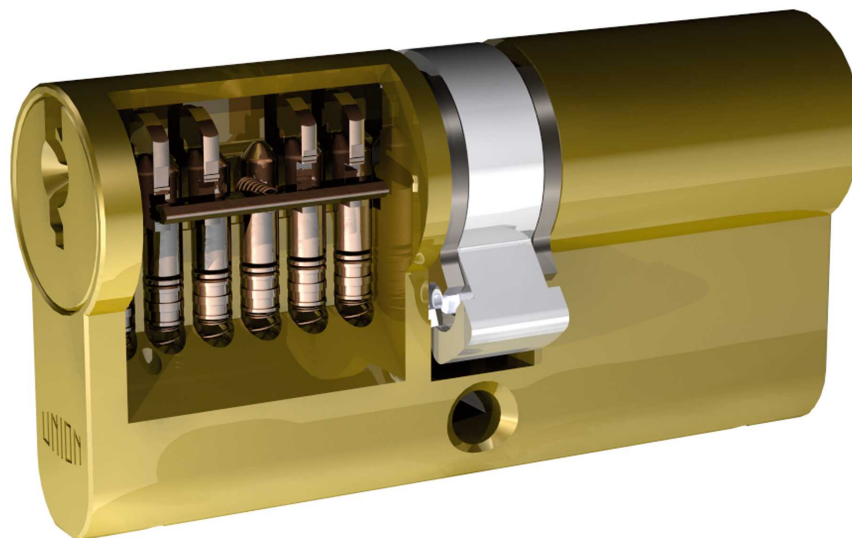
- Patented high-security cylinder system
- DTEC key with patented 'side bar' design prevents illicit key copying
- Anti-corrosive nickel silver internal components used as standard
- Over 240,000 effective differs
- Supplied master keyed
- Can be keyed with other DTEC cylinder products such as padlocks
- Anti-drill and pick feature
- Available sub-assembled for in-house pinning

Keys:

Supplied separately - please specify quantity required on order

Finishes:

UNION DTEC cylinders are available in Satin Chrome and Polished Brass



Cylinder Details

DTEC cylinder measurements are calculated by measuring from the edge of the cylinder to the centre of the cam on both sides of the product.

DTEC product order codes are created using the four digits that make up the overall cylinder length, eg, the product code for an equal length cylinder, overall length 60mm, is 3030.

Single DTEC Cylinders

Order Size	Overall Cylinder Length (X)	Key Side to Centre of Cam (Y)	Centre of Cam to End (Z)
3010	40.0	30.0	10.0
3510	45.0	35.0	10.0
4010	50.0	40.0	10.0
4510	55.0	45.0	10.0
5010	60.0	50.0	10.0
5510	65.0	55.0	10.0
6010	70.0	60.0	10.0
6510	75.0	65.0	10.0
7010	80.0	70.0	10.0
7510	85.0	75.0	10.0

Equal Length DTEC Double Cylinders

Order Size	Overall Cylinder Length	Key Side to Centre of Cam	Centre of Cam to Key Side
3030	60.0	30.0	30.0
3535	70.0	35.0	35.0
4040	80.0	40.0	40.0
4545	90.0	45.0	45.0
5050	100.0	50.0	50.0
5555	110.0	55.0	55.0
6060	120.0	60.0	60.0
6565	130.0	65.0	65.0
7070	140.0	70.0	70.0
7575	150.0	75.0	75.0
8080	160.0	80.0	80.0
8585	170.0	85.0	85.0

Equal Length DTEC Key & Turn Cylinders

Order Size	Overall Cylinder Length	Turn Side to Centre of Cam	Centre of Cam to Key Side
3030	60.0	30.0	30.0
3535	70.0	35.0	35.0
4040	80.0	40.0	40.0
4545	90.0	45.0	45.0
5050	100.0	50.0	50.0
5555	110.0	55.0	55.0
6060	120.0	60.0	60.0
6565	130.0	65.0	65.0
7070	140.0	70.0	70.0
7575	150.0	75.0	75.0
8080	160.0	80.0	80.0
8585	170.0	85.0	85.0



DTEC Offset Double Cylinders

Order Size	Overall Cylinder Length	Key Side to Centre of Cam	Centre of Cam to Key Side
3035	65.0	30.0	35.0
3040	70.0	30.0	40.0
3045	75.0	30.0	45.0
3050	80.0	30.0	50.0
3055	85.0	30.0	55.0
3060	90.0	30.0	60.0
3065	95.0	30.0	65.0
3070	100.0	30.0	70.0
3075	105.0	30.0	75.0
3080	110.0	30.0	80.0
3085	115.0	30.0	85.0
3540	75.0	35.0	40.0
3545	80.0	35.0	45.0
3550	85.0	35.0	50.0
3555	90.0	35.0	55.0
3560	95.0	35.0	60.0
3565	100.0	35.0	65.0
3570	105.0	35.0	70.0
3575	110.0	35.0	75.0
3580	115.0	35.0	80.0
3585	120.0	35.0	85.0
4045	85.0	40.0	45.0
4050	90.0	40.0	50.0
4055	95.0	40.0	55.0
4060	100.0	40.0	60.0
4065	105.0	40.0	65.0
4070	110.0	40.0	70.0
4075	115.0	40.0	75.0
4080	120.0	40.0	80.0
4085	125.0	40.0	85.0
4550	95.0	45.0	50.0
4555	100.0	45.0	55.0
4560	105.0	45.0	60.0
4565	110.0	45.0	65.0
4570	120.0	45.0	70.0
4575	120.0	45.0	75.0
4580	125.0	45.0	80.0
4585	130.0	45.0	85.0
5055	105.0	50.0	55.0
5060	110.0	50.0	60.0
5065	115.0	50.0	65.0
5070	120.0	50.0	70.0
5075	125.0	50.0	75.0
5080	130.0	50.0	80.0
5085	135.0	50.0	85.0
5560	115.0	55.0	60.0
5565	120.0	50.0	65.0
5570	125.0	50.0	70.0
5575	130.0	55.0	75.0
5580	135.0	50.0	80.0
5585	140.0	55.0	85.0

Cylinders - DTEC



ASSA ABLOY

Order Size	Overall Cylinder Length	Key Side to Centre of Cam	Centre of Cam to Key Side
6065	125.0	60.0	65.0
6070	130.0	60.0	70.0
6075	135.0	60.0	75.0
6080	140.0	60.0	80.0
6085	145.0	60.0	85.0
6570	135.0	65.0	70.0
6575	140.0	65.0	75.0
6580	145.0	65.0	80.0
6585	150.0	65.0	85.0
7075	145.0	70.0	75.0
7080	150.0	70.0	80.0
7085	155.0	70.0	85.0
7580	155.0	75.0	80.0
7585	160.0	75.0	85.0
8085	165.0	80.0	85.0

Cylinders - DTEC



ASSA ABLOY

DTEC Offset Key & Turn Cylinders

Order Size	Overall Cylinder Length	Turn Side to Centre of Cam	Centre of Cam to Key Side
3035	65.0	30.0	35.0
3040	70.0	30.0	40.0
3045	75.0	30.0	45.0
3050	80.0	30.0	50.0
3055	85.0	30.0	55.0
3060	90.0	30.0	60.0
3065	95.0	30.0	65.0
3070	100.0	30.0	70.0
3075	105.0	30.0	75.0
3080	110.0	30.0	80.0
3085	115.0	30.0	85.0
3530	65.0	35.0	30.0
3540	75.0	35.0	40.0
3545	80.0	35.0	45.0
3550	85.0	35.0	50.0
3555	90.0	35.0	55.0
3560	95.0	35.0	60.0
3565	100.0	35.0	65.0
3570	105.0	35.0	70.0
3575	110.0	35.0	75.0
3580	115.0	35.0	80.0
3585	120.0	35.0	85.0
4030	70.0	40.0	30.0
4035	75.0	40.0	35.0
4045	85.0	40.0	45.0
4050	90.0	40.0	50.0
4055	95.0	40.0	55.0
4060	100.0	40.0	60.0
4065	105.0	40.0	65.0
4070	110.0	40.0	70.0
4075	115.0	40.0	75.0
4080	120.0	40.0	80.0
4085	125.0	40.0	85.0
4530	75.0	45.0	30.0
4535	80.0	45.0	35.0
4540	85.0	45.0	40.0
4550	95.0	45.0	50.0
4555	100.0	45.0	55.0
4560	105.0	45.0	60.0
4565	110.0	45.0	65.0
4570	120.0	45.0	70.0
4575	120.0	45.0	75.0
4580	125.0	45.0	80.0
4585	130.0	45.0	85.0
5030	80.0	50.0	30.0
5035	85.0	50.0	35.0
5040	90.0	50.0	40.0
5045	95.0	50.0	45.0
5055	105.0	50.0	55.0
5060	110.0	50.0	60.0
5065	115.0	50.0	65.0
5070	120.0	50.0	70.0
5075	125.0	50.0	75.0
5080	130.0	50.0	80.0
5085	135.0	50.0	85.0
5530	85.0	55.0	30.0
5535	90.0	55.0	35.0
5540	95.0	55.0	40.0
5545	100.0	55.0	45.0
5550	105.0	55.0	50.0
5560	115.0	55.0	60.0
5565	120.0	50.0	65.0
5570	125.0	50.0	70.0
5575	130.0	55.0	75.0
5580	135.0	50.0	80.0
5585	140.0	55.0	85.0

Cylinders - DTEC



ASSA ABLOY

Order Size	Overall Cylinder Length	Turn Side to Centre of Cam	Centre of Cam to Key Side
6030	65.0	60.0	30.0
6035	115.0	85.0	30.0
6040	120.0	85.0	35.0
6045	120.0	80.0	40.0
6050	120.0	75.0	45.0
6055	120.0	70.0	50.0
6065	125.0	60.0	65.0
6070	130.0	60.0	70.0
6075	135.0	60.0	75.0
6080	140.0	60.0	80.0
6085	145.0	60.0	85.0
6530	70.0	65.0	30.0
6535	75.0	40.0	35.0
6540	85.0	45.0	40.0
6545	125.0	85.0	40.0
6550	125.0	80.0	45.0
6555	125.0	75.0	50.0
6560	125.0	65.0	60.0
6570	135.0	65.0	70.0
6575	140.0	65.0	75.0
6580	145.0	65.0	80.0
6585	150.0	65.0	85.0
7030	75.0	70.0	30.0
7035	80.0	45.0	35.0
7040	90.0	50.0	40.0
7045	95.0	50.0	45.0
7050	130.0	85.0	45.0
7055	130.0	80.0	50.0
7060	130.0	70.0	60.0
7065	135.0	70.0	65.0
7075	145.0	70.0	75.0
7080	150.0	70.0	80.0
7085	155.0	70.0	85.0
7530	105.0	75.0	30.0
7535	110.0	75.0	35.0
7540	115.0	75.0	40.0
7545	120.0	75.0	45.0
7550	125.0	75.0	50.0
7555	130.0	75.0	55.0
7560	135.0	75.0	60.0
7565	140.0	75.0	65.0
7570	145.0	75.0	70.0
7580	155	75	80
7585	160.0	75.0	85.0
8030	80.0	80.0	30.0
8035	85.0	50.0	35.0
8040	95.0	55.0	40.0
8045	100.0	55.0	45.0
8050	105.0	55.0	50.0
8055	135.0	85.0	50.0
8060	140.0	80.0	60.0
8065	145.0	80.0	65.0
8070	150.0	80.0	70.0
8075	155.0	80.0	75.0
8085	165.0	80.0	85.0
8530	115.0	85.0	30.0
8535	120.0	85.0	35.0
8540	125.0	85.0	40.0
8545	130.0	85.0	45.0
8550	135.0	85.0	50.0
8555	140.0	85.0	55.0
8560	145.0	85.0	60.0
8565	150.0	85.0	65.0
8570	155.0	85.0	70.0
8575	160.0	85.0	75.0
8580	165.0	85.0	80.0

Cylinders - DTEC

DTECES

Euro Profile Single Cylinder



ASSA ABLOY

Application:

- Single keyed cylinder
- For use with euro profile lock cases

Specification:

- Key operated to lock or unlock
- Patented high-security cylinder system
- DTEC key with patented 'side bar' design prevents illicit key copying
- Anti-corrosive nickel internal components used as standard
- Over 240,000 effective differs
- Supplied master keyed
- Can be keyed with other DTEC cylinder products such as padlocks
- Anti-drill and pick feature
- Available sub-assembled for in-house pinning
- For master key information please check with the UNION area manager responsible for your area
- Please check cylinder compatibility when specifying non UNION lock cases
- Keys: Supplied separately - please specify quantity required on order
- Please refer to Cylinder Introduction pages for information on 'X' and 'Y' dimensions
- Available in SC and PB finishes

Finish:

- SC - Satin Chrome
- PB - Polished Brass



Standards:

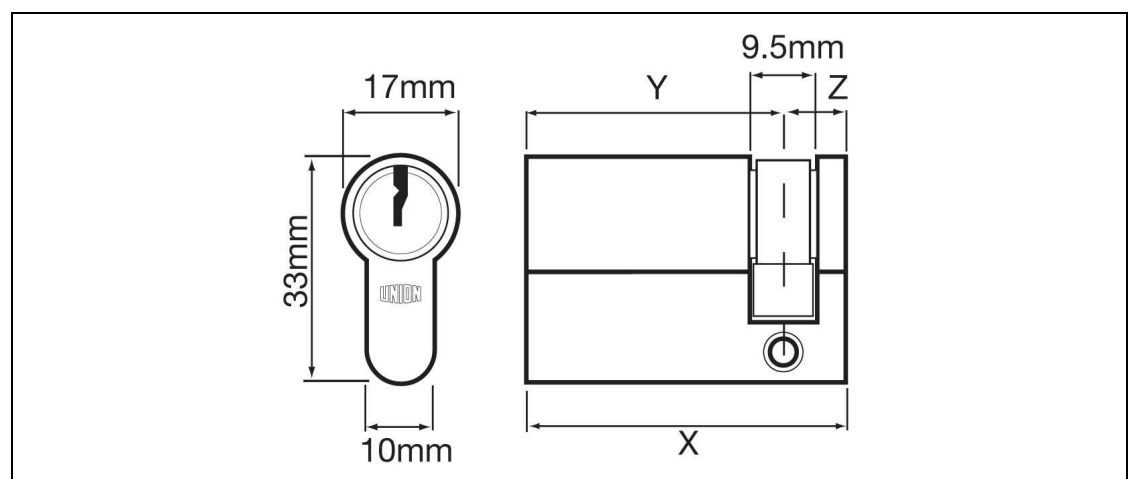
- Tested to BS EN 1303 : 2005
- EN 1634-1 : 2000 assessed for use on 60 minutes timber fire doors
- CEN graded - Level 5

1 6 0 0 0 C 6 0*

*Grade 2 achieved for resistance to drilling, chiselling, twisting, torque on plug



Technical Design:



Cylinders - DTEC

DTECED

Euro Profile Double Cylinder



ASSA ABLOY

Application:

- Key & key cylinder
- For use with euro profile lock cases

Specification:

- Key operated from both sides
- Patented high-security cylinder system
- DTEC key with patented 'side bar' design prevents illicit key copying
- Anti-corrosive nickel internal components used as standard
- Over 240,000 effective differs
- Supplied master keyed
- Can be keyed with other DTEC cylinder products such as padlocks
- Anti-drill and pick feature
- Available sub-assembled for in-house pinning
- For master key information please check with the UNION area manager responsible for your area
- Please check cylinder compatibility when specifying non UNION lock cases
- Keys: Supplied separately - please specify quantity required on order
- Please refer to Cylinder Introduction pages for information on 'X', 'Y' and 'Z' dimensions
- Available in SC and PB finishes



Standards:

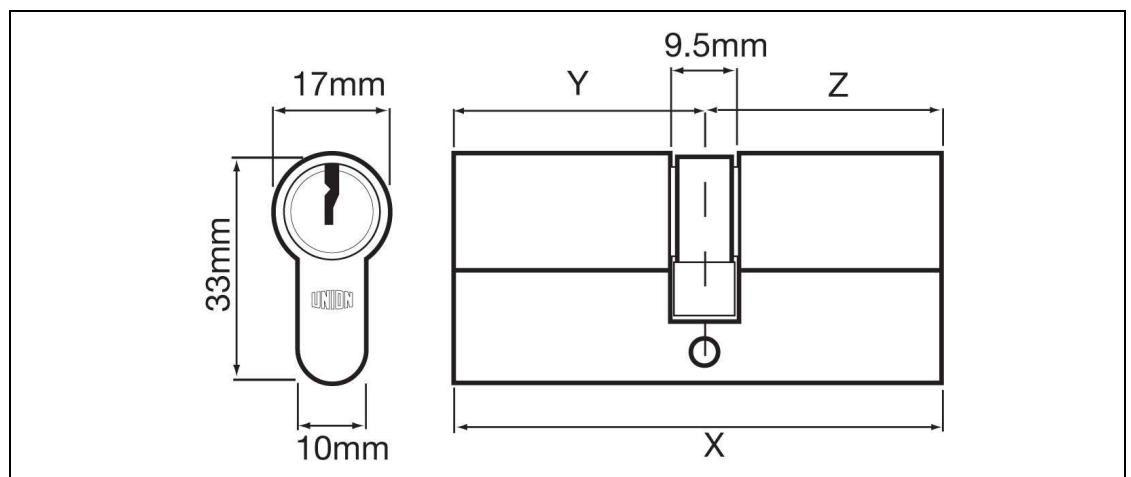
- Tested to BS EN 1303
 - EN 1634-1 : 2000 assessed for use on 60 minutes timber fire doors
 - CEN graded - Level 5
- | | | | | | | | |
|---|---|---|---|---|---|---|----|
| 1 | 6 | 0 | 0 | 0 | C | 6 | 0* |
|---|---|---|---|---|---|---|----|
- *Grade 2 achieved for resistance to drilling, chiselling, twisting, torque on plug

Finish:

- SC - Satin Chrome
- PB - Polished Brass



Technical Design:



Cylinders - DTEC

DTECET

Euro Profile Key & Turn Cylinder



ASSA ABLOY

Application:

- Key & turn cylinder
- For use with euro profile lock cases

Specification:

- Key operated from one side, turn operated from the other side
- Patented high-security cylinder system
- DTEC key with patented 'side bar' design prevents illicit key copying
- Anti-corrosive nickel internal components used as standard
- Over 240,000 effective differs
- Supplied master keyed
- Can be keyed with other DTEC cylinder products such as padlocks
- Anti-drill and pick feature
- Available sub-assembled for in-house pinning
- For master key information please check with the UNION area manager responsible for your area
- Please check cylinder compatibility when specifying non UNION lock cases
- Keys: Supplied separately - please specify quantity required on order
- Please refer to Cylinder Introduction pages for information on 'X' and 'Y' dimensions
- Available in SC and PB finishes

Finish:

- SC - Satin Chrome
- PB - Polished Brass

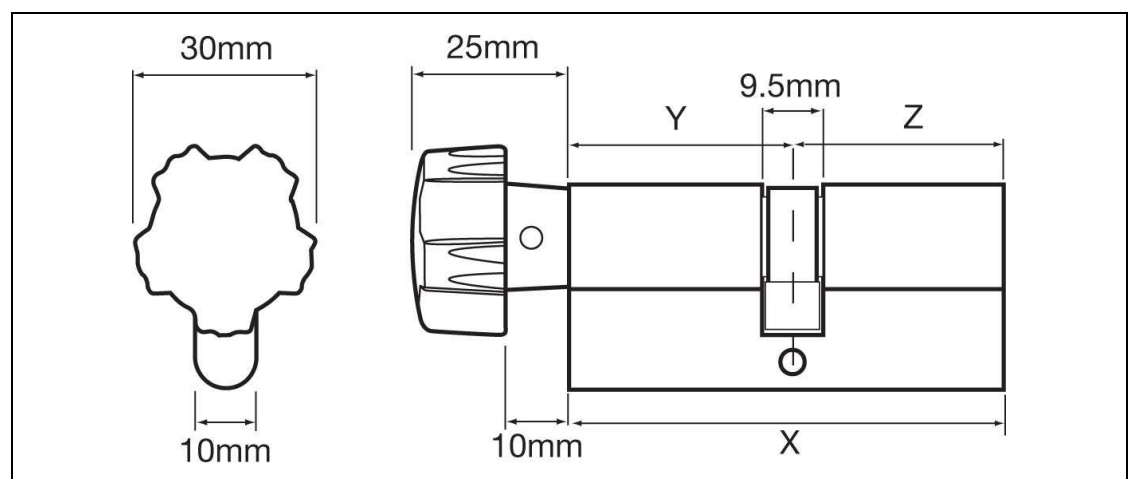


Standards:

- Tested to BS EN 1303
 - EN 1634-1 : 2000 assessed for use on 60 minutes timber fire doors
 - CEN graded - Level 5
- | | | | | | | | |
|---|---|---|---|---|---|---|----|
| 1 | 6 | 0 | 0 | 0 | C | 6 | 0* |
|---|---|---|---|---|---|---|----|
- *Grade 2 achieved for resistance to drilling, chiselling, twisting, torque on plug



Technical Design:



Cylinders - DTEC

DTECOS

Oval Profile Single Cylinder



ASSA ABLOY

Application:

- Single keyed cylinder
- For use with UK oval profile lock cases

Specification:

- Key operated to lock or unlock
- Patented high-security cylinder system
- DTEC key with patented 'side bar' design prevents illicit key copying
- Anti-corrosive nickel internal components used as standard
- Over 240,000 effective differs
- Supplied master keyed
- Can be keyed with other DTEC cylinder products such as padlocks
- Anti-drill and pick feature
- Available sub-assembled for in-house pinning
- For master key information please check with the UNION area manager responsible for your area
- Please check cylinder compatibility when specifying non UNION lock cases
- Keys: Supplied separately - please specify quantity required on order
- Please refer to Cylinder Introduction pages for information on 'X' and 'Y' dimensions
- Available in SC and PB finishes

Finish:

- SC - Satin Chrome
- PB - Polished Brass

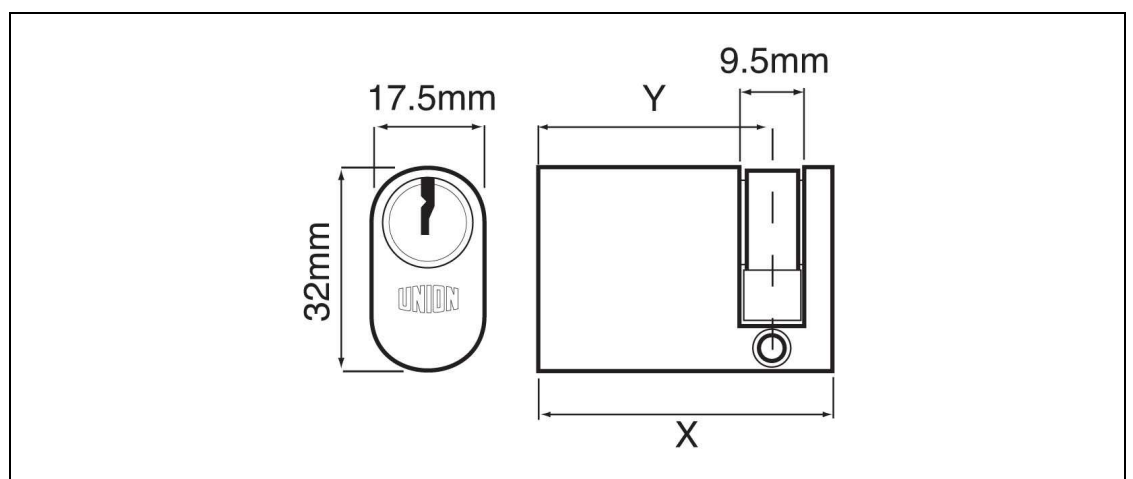


Standards:

- Tested to BS EN 1303
 - EN 1634-1 : 2000 assessed for use on 60 minutes timber fire doors
 - CEN graded - Level 5
- | | | | | | | | |
|---|---|---|---|---|---|---|----|
| 1 | 6 | 0 | 0 | 0 | C | 6 | 0* |
|---|---|---|---|---|---|---|----|
- *Grade 2 achieved for resistance to drilling, chiselling, twisting, torque on plug



Technical Design:



Cylinders - DTEC

DTECOD

Oval Profile Double Cylinder



ASSA ABLOY

Application:

- Key & key cylinder
- For use with UK oval profile lock cases

Specification:

- Key operated from both sides
- Patented high-security cylinder system
- DTEC key with patented 'side bar' design prevents illicit key copying
- Anti-corrosive nickel internal components used as standard
- Over 240,000 effective differs
- Supplied master keyed
- Can be keyed with other DTEC cylinder products such as padlocks
- Anti-drill and pick feature
- Available sub-assembled for in-house pinning
- For master key information please check with the UNION area manager responsible for your area
- Please check cylinder compatibility when specifying non UNION lock cases
- Keys: Supplied separately - please specify quantity required on order
- Please refer to Cylinder Introduction pages for information on 'X' and 'Y' dimensions
- Available in SC and PB finishes



Standards:

- Tested to BS EN 1303
- EN 1634-1 : 2000 assessed for use on 60 minutes timber fire doors
- CEN graded - Level 5

1 6 0 0 0 C 6 0*

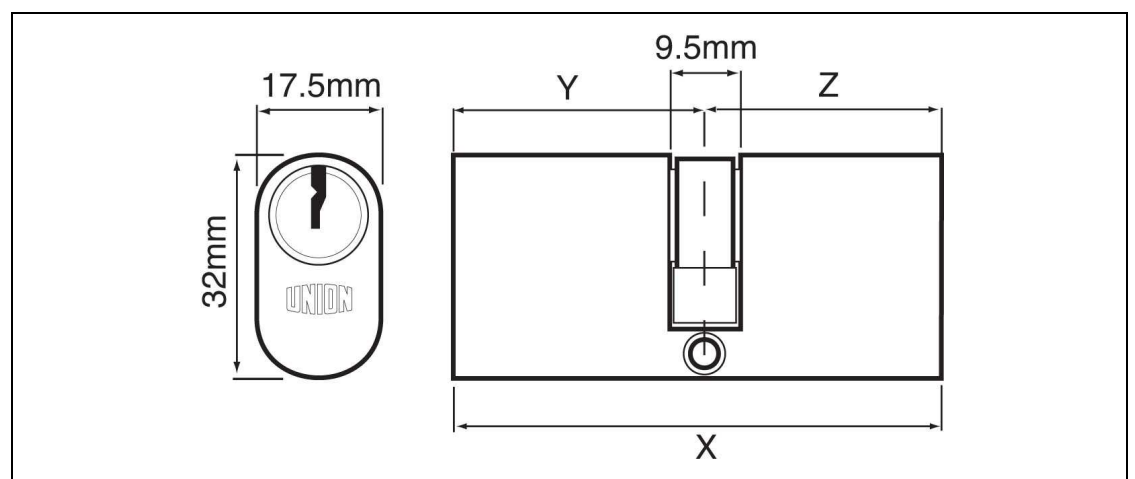
*Grade 2 achieved for resistance to drilling, chiselling, twisting, torque on plug

Finish:

- SC - Satin Chrome
- PB - Polished Brass



Technical Design:



Cylinders - DTEC

DTECOT

Oval Profile Key & Turn Cylinder



ASSA ABLOY

Application:

- Key & turn cylinder
- For use with UK oval profile lock cases

Specification:

- Key operated from one side, turn operated from the other side
- Patented high-security cylinder system
- DTEC key with patented 'side bar' design prevents illicit key copying
- Anti-corrosive nickel internal components used as standard
- Over 240,000 effective differs
- Supplied master keyed
- Can be keyed with other DTEC cylinder products such as padlocks
- Anti-drill and pick feature
- Available sub-assembled for in-house pinning
- For master key information please check with the UNION area manager responsible for your area
- Please check cylinder compatibility when specifying non UNION lock cases
- Keys: Supplied separately - please specify quantity required on order
- Please refer to Cylinder Introduction pages for information on 'X' and 'Y' dimensions
- Available in SC and PB finishes

Finish:

- SC - Satin Chrome
- PB - Polished Brass

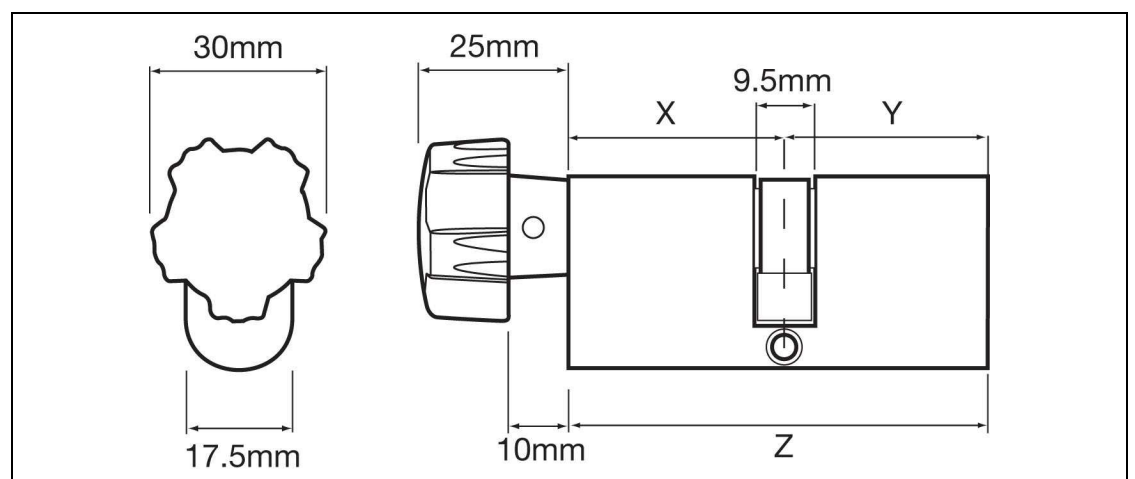


Standards:

- Tested to BS EN 1303
 - EN 1634-1 : 2000 assessed for use on 60 minutes timber fire doors
 - CEN graded - Level 5
- | | | | | | | | |
|---|---|---|---|---|---|---|----|
| 1 | 6 | 0 | 0 | 0 | C | 6 | 0* |
|---|---|---|---|---|---|---|----|
- *Grade 2 achieved for resistance to drilling, chiselling, twisting, torque on plug



Technical Design:



Cylinders - DTEC

DTECSI

Scandinavian Oval - Inner



ASSA ABLOY

Application:

- Key access from inside of door
- For use with Scandinavian oval profile lock cases

Specification:

- Key operated to lock or unlock
- Patented high-security cylinder system
- DTEC key with patented 'side bar' design prevents illicit key copying
- Anti-corrosive nickel internal components used as standard
- Over 240,000 effective differs
- Supplied master keyed
- Can be keyed with other DTEC cylinder products such as padlocks
- Anti-drill and pick feature
- Available sub-assembled for in-house pinning
- For master key information please check with the UNION area manager responsible for your area
- Keys: Supplied separately - please specify quantity required on order
- Available in SC and PB finishes

Finish:

- SC - Satin Chrome
- PB - Polished Brass



Standards:

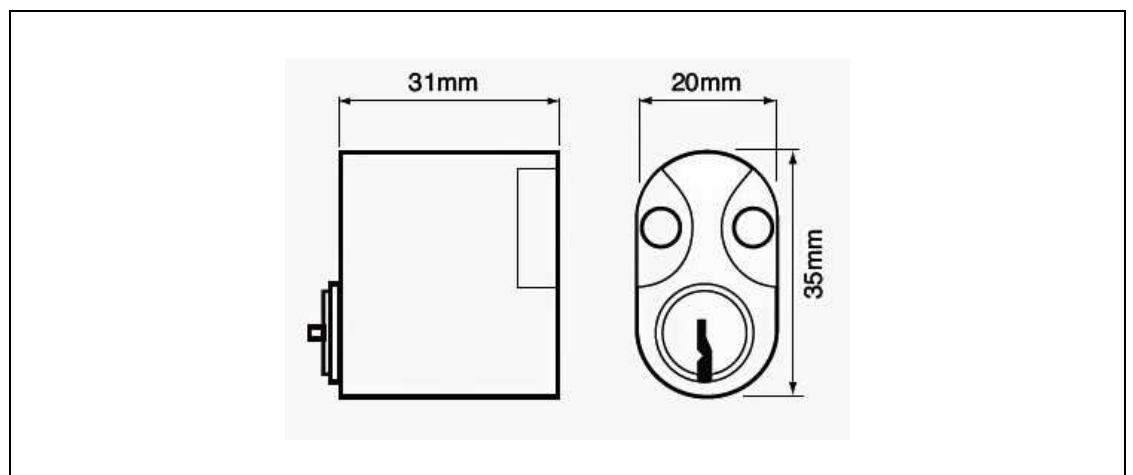
- Tested to BS EN 1303
- EN 1634-1 : 2000 assessed for use on 60 minutes timber fire doors
- CEN graded - Level 5

1 6 0 0 0 C 6 0*

*Grade 2 achieved for resistance to drilling, chiselling, twisting, torque on plug



Technical Design:



Cylinders - DTEC

DTECSO

Scandinavian Oval - Outer



ASSA ABLOY

Application:

- Key access from outside of the door
- For use with Scandinavian oval profile lock cases

Specification:

- Key operated to lock or unlock
- Patented high-security cylinder system
- DTEC key with patented 'side bar' design prevents illicit key copying
- Anti-corrosive nickel internal components used as standard
- Over 240,000 effective differs
- Supplied master keyed
- Can be keyed with other DTEC cylinder products such as padlocks
- Anti-drill and pick feature
- Available sub-assembled for in-house pinning
- For master key information please check with the UNION area manager responsible for your area
- Keys: Supplied separately - please specify quantity required on order
- Available in SC and PB finishes

Finish:

- SC - Satin Chrome
- PB - Polished Brass

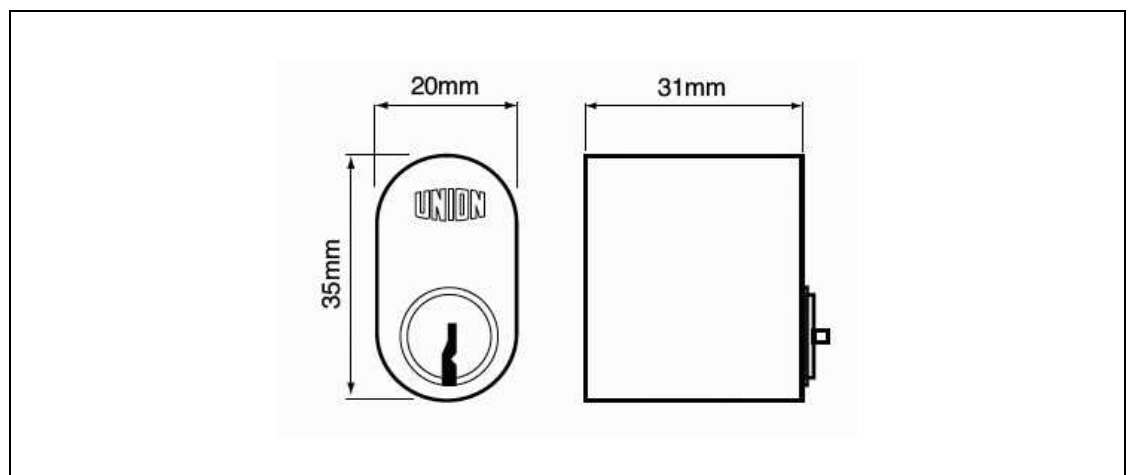


Standards:

- Tested to BS EN 1303
 - EN 1634-1 : 2000 assessed for use on 60 minutes timber fire doors
 - CEN graded - Level 5
- | | | | | | | | |
|---|---|---|---|---|---|---|----|
| 1 | 6 | 0 | 0 | 0 | C | 6 | 0* |
|---|---|---|---|---|---|---|----|
- *Grade 2 achieved for resistance to drilling, chiselling, twisting, torque on plug



Technical Design:



Cylinders - DTEC

DTECRC

Rim Cylinder



ASSA ABLOY

Application:

- Single rim keyed cylinder
- For use with nightlatches or other locking devices which are operated from a tailbar
- Suitable for doors up to 54mm thick

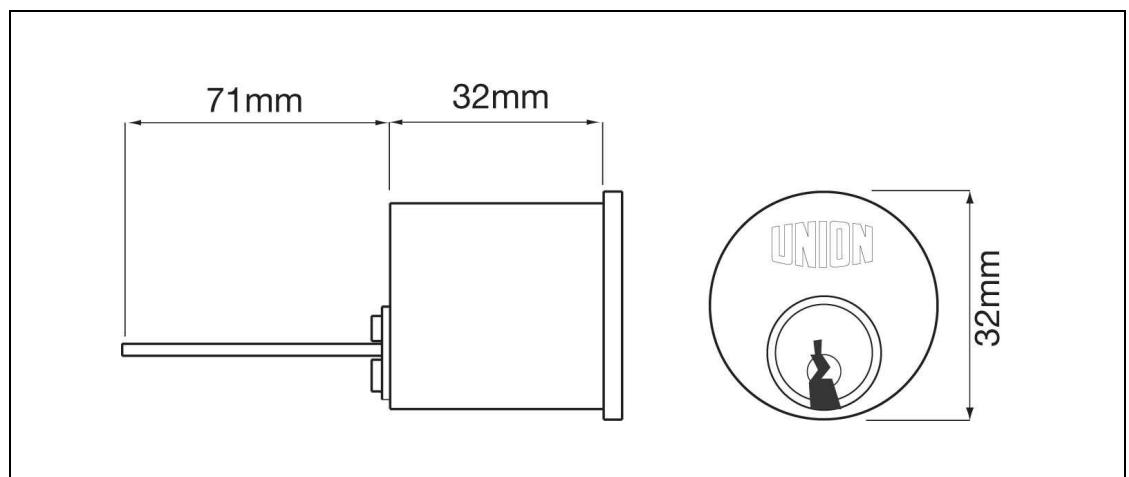
Specification:

- Key access from one side of the door
- Patented high-security cylinder system
- DTEC key with patented 'side bar' design prevents illicit key copying
- Anti-corrosive nickel internal components used as standard
- Over 240,000 effective differs
- Supplied master keyed
- Can be keyed with other DTEC cylinder products such as padlocks
- Anti-drill and pick feature
- Available sub-assembled for in-house pinning
- For master key information please check with the UNION area manager responsible for your area
- Please check cylinder compatibility when specifying non UNION lock cases
- Keys: Supplied separately - please specify quantity required on order
- Available in SC and PB finishes

Finish:

- SC- Satin Chrome
- PB - Polished Brass

Technical Design:



Standards:

- Tested to BS EN 1303
- EN 1634-1 : 2000 assessed for use on 60 minutes timber fire doors
- CEN graded - Level 5

1 6 0 0 0 C 6 0*

*Grade 2 achieved for resistance to drilling, chiselling, twisting, torque on plug



Cylinders - DTEC

DTECSC

Mortice Screw-in Cylinder



ASSA ABLOY

Application:

- Single screw in keyed cylinder
- For use with narrow stile mortice locks or American style operating from a 42mm threaded cylinder

Specification:

- Key access from one side of the door
- Patented high-security cylinder system
- DTEC key with patented 'side bar' design prevents illicit key copying
- Anti-corrosive nickel internal components used as standard
- Over 240,000 effective differs
- Supplied master keyed
- Can be keyed with other DTEC cylinder products such as padlocks
- Anti-drill and pick feature
- Available sub-assembled for in-house pinning
- For master key information please check with the UNION area manager responsible for your area
- Please check cylinder compatibility when specifying non UNION lock cases
- Keys: Supplied separately - please specify quantity required on order
- Available in SC and PB finishes

Finish:

- SC - Satin Chrome
- PB - Polished Brass



Standards:

- Tested to BS EN 1303
- EN 1634-1 : 2000 assessed for use on 60 minutes timber fire doors
- CEN graded - Level 5

1 6 0 0 0 C 6 0*

*Grade 2 achieved for resistance to drilling, chiselling, twisting, torque on plug



Technical Design:

