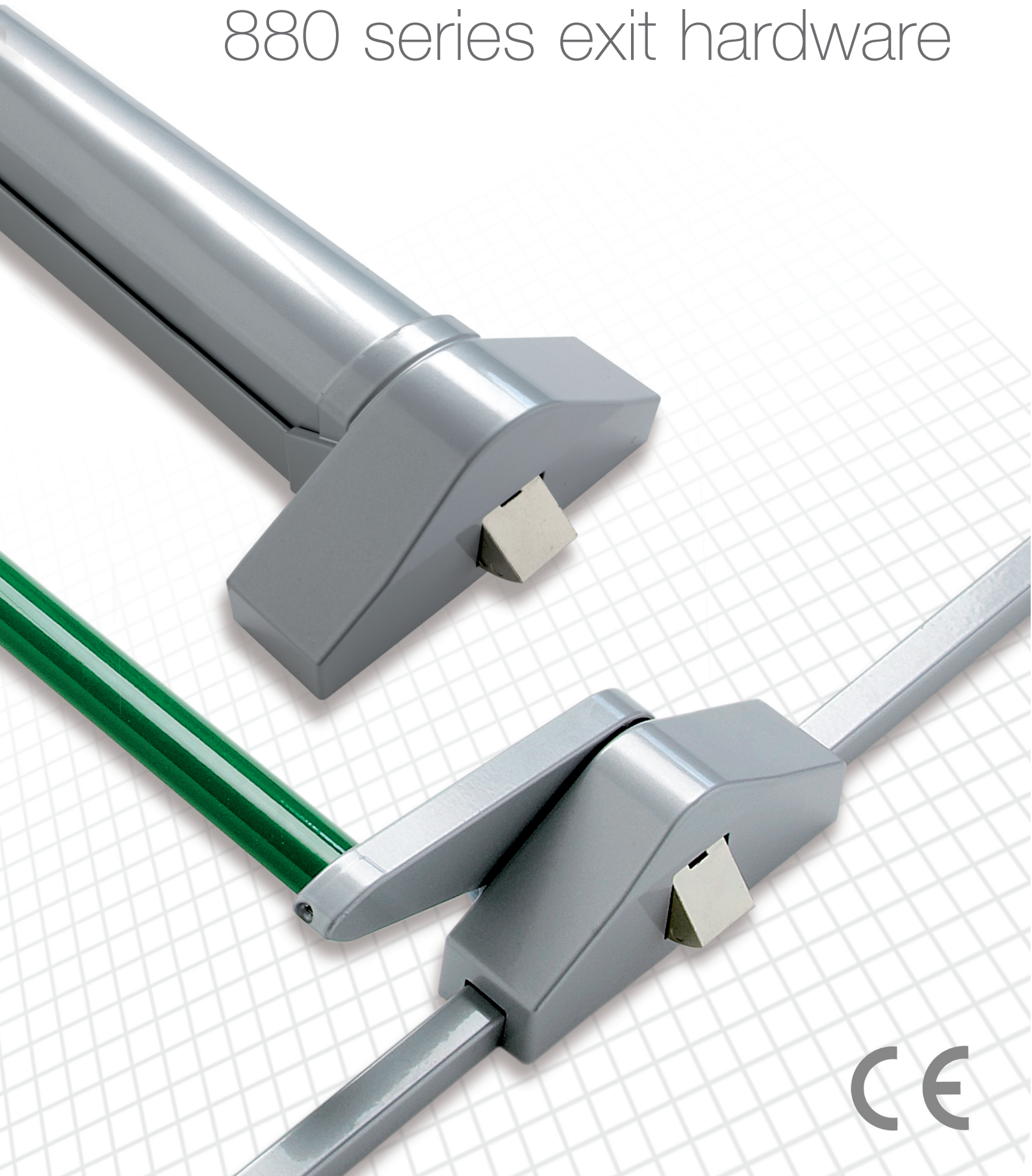


# 880 series exit hardware





ASSA ABLOY

UNION Architectural Hardware introduces an innovative and contemporary range of exit hardware, exclusively designed to suit higher specification new build and replacement markets.

The UNION 880 Series combines quality engineering and high performance with contemporary aesthetics. The range boasts maximum versatility, comprising of both 'touch bar' and 'push bar' variants for single and double doors.

The new range offers a lighter, smoother and quieter alternative to the traditional bolting action. For single doors there is a choice of either a single point latch variant, or 2/3 point locking using upper and lower Pullman latches. For double doors, a choice of 3 and 5 point locking is available.

Guaranteed for 10 years, the UNION 880 Series is CE marked to BS EN 1125\* and fire tested to BS EN 1634 on both timber and metal doors.



All exit devices are supplied complete with appropriate signage as required by BS EN 1125, annex A.19, coloured green and white as detailed in BS 5499. Timber fixing are supplied as standard.

\*The safety features of these products are essential to ensure their compliance with the above standard. No modifications of any kind are permitted, other than those described in the fitting instructions.



### Features and Benefits

- Aesthetically pleasing contemporary design
- Quality engineering
- Choice of variants to suit every project
- Steel deadlatch
- Adjustable steel strikes
- Easy action Pullman latches relocate smoothly, quietly and securely
- 1 to 5 point locking options
- Light pressure at any point along the touch or push bar withdraws the latches
- 2 bar widths available to suit maximum door widths of 900mm or 1200mm
- Bars and rods can be cut to size on site
- Rods with integral cover
- Double rebated panic set
- Available in silver as standard. White and silver/green variants available to order.



# | The UNION 880 Series Range

	Touch Bar		Push Bar	
	Door 900mm max.	Door 1200mm max.	Door 900mm max.	Door 1200mm max.
<b>Panic Latch</b> - single point central latch	J-881T	J-881T-W	J-881	J-881-W
<b>Panic Device</b> - 2 or 3 point for single doors 2 no. vertical rods with pullman latches + 1 no. central latch	J-882T	J-882T-W	J-882	J-882-W
<b>Lateral Latches</b> - 2 or 3 point 3 no. lateral latches	J-882TL	J-882TL-W	J-882L	J-882L-W
<b>Double rebated door set*</b> - 3 point 1 no. single point panic latch (inc. strike) + 1 no. 2 point panic device	J-883T	J-883T-W	J-883	J-883-W
<b>Outside Access Device</b>	J-885			

## Door Sizes

- Max. door leaf width - 900mm or 1200mm
- Max. door leaf height - 2350mm
- Max. door leaf mass - 200kg

## Finishes

- SIL - Silver push/touch bar, silver rods & trim (standard finish)
- GRN - Green push/touch bar, silver rods & trim
- WTE - White touch bar, white rods & trim

## Standards

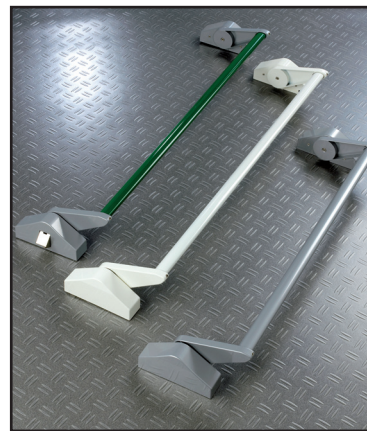
- CE marked to BS EN 1125
- Included in successful fire test to BS EN 1634-1 on timber and metal doors



3	7	6	1	1	3	2	2	A	Push Bar (all 880 variants)
3	7	6	1	1	3	2	2	B	Touch Bar (all 880T variants)

- Signage as required by BS EN 1125 annex A19, coloured green & white as detailed in BS 5499

- For doors in buildings accessed by the public, where panic can be foreseen
- Suitable for push face of outward opening doors
- Fixings to suit timber doors. Fixings for metal doors also available
- Non-handed for maximum flexibility
- Light action touch/push bar
- Compatible with UNION 885 Outside Access Device
- Complete with appropriate signage and fixing instructions



## Dogging Device

- If an exit door permits traffic flow, UNION offer an optional holdback or 'dogging' device. A dogging device is a means of holding back the latch bolts when required via a cylinder and key. The dogging device is available on the 880T Touch Bar Range.

Please contact customer services for further details.

# | J-885 - Outside Access Device

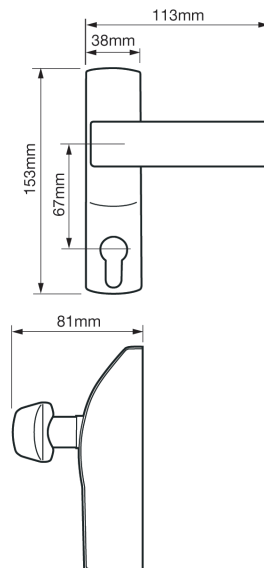
- Compatible with all 880 & 880T variants
- Zinc alloy case and lever
- Use with UNION 2X20\* 5-pin euro profile cylinder (may be master keyed)
- Captive key function (site selectable)
- Silver standard finish, white as option

## Clutch Release Protection System (CRPS)

To protect against abuse:

1. When the OAD is in locked position, lever moves freely until 45°
2. After 45°, if a force of 17Nm is applied, the lever is disengaged without damage
3. Lever is re-set by returning it to the horizontal position

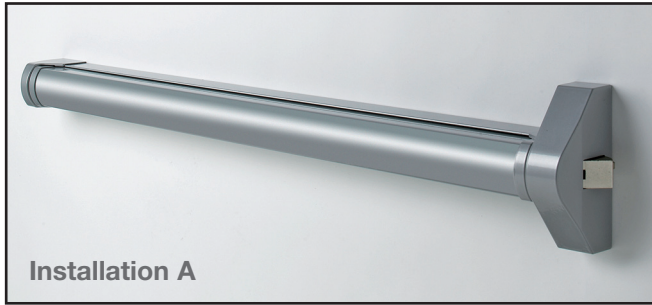
\* In order to be compatible with the 885, a cylinder which incorporates a RIGHT oriented cam must be used



## 880T - Touch Bar Product Range

### 881T / 881T-W

#### Single Point Touch Bar Panic Latch



Installation A

- For use on single doors
- Single point locking
- Steel deadlatch
- To suit door widths:  
881T- doors up to 900mm wide  
881T-W - doors up to 1200mm wide
- Optional dogging device (cylinder operated)



### 882T / 882T-W

#### 2/3 Point Locking Touch Bar Panic Device with Upper & Lower Pullman Latches



Installations B or D

- For use on single doors
- May be used on double doors with plain meeting stiles (one 2 point per leaf)
- 2 or 3 point locking point option (site selectable)
- Steel deadlatch
- Rods with integral cover
- Touch bars and rods can be cut to size
- To suit door widths:  
882T- doors up to 900mm wide  
882T-W - doors up to 1200mm wide
- Optional dogging device (cylinder operated)



### 882TL / 882TL-W

#### 2/3 Point Locking Touch Bar Panic Device with Lateral Latches

- Application as for 882T/882T-W but for use on single doors only
- To suit door widths:  
882TL- doors up to 900mm wide  
882TL-W - doors up to 1200mm wide

Installation C



### 883T / 883T-W

#### Double Rebated Door Set



Installation E

- For use on double rebated doors
- 3 point locking comprising:  
Single point central steel deadlatch (first opening leaf)  
2 point upper & lower Pullman latches (second opening leaf)
- Rods with integral cover
- Touch bars and rods can be cut to size
- To suit door widths:  
883T- door leaves up to 900mm  
883T-W - door leaves up to 1200mm
- Optional dogging device (cylinder operated)



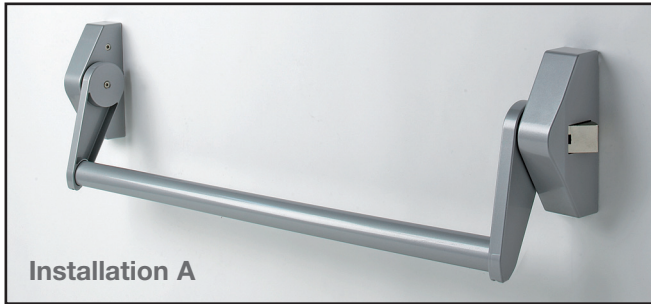
#### NOTE. Also for double rebated doors

- By combining 882T with 882TL (or 882T-W with 882TL-W) it is possible to achieve 4/5 point locking comprising:  
2/3 point lateral latches (first opening leaf)  
2 point upper & lower Pullman latches (second opening leaf)
- For this particular combination each product must be ordered separately

Installation F

## 880 - Push Bar Product Range

### 881 / 881-W Single Point Push Bar Panic Latch

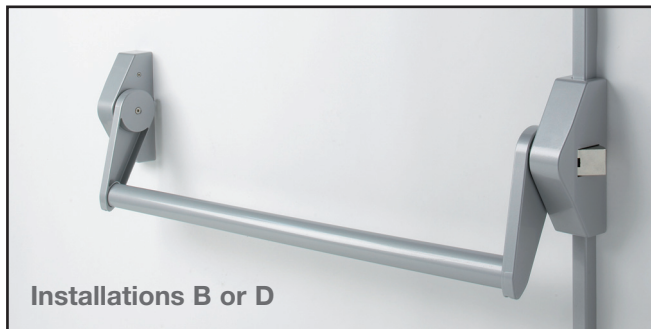


Installation A

- For use on single doors
- Single point locking
- Steel deadlatch
- To suit door widths:  
881- doors up to 900mm wide  
881-W - doors up to 1200mm wide



### 882 / 882-W 2/3 Point Locking Push Bar Panic Device with Upper & Lower Pullman Latches



Installations B or D

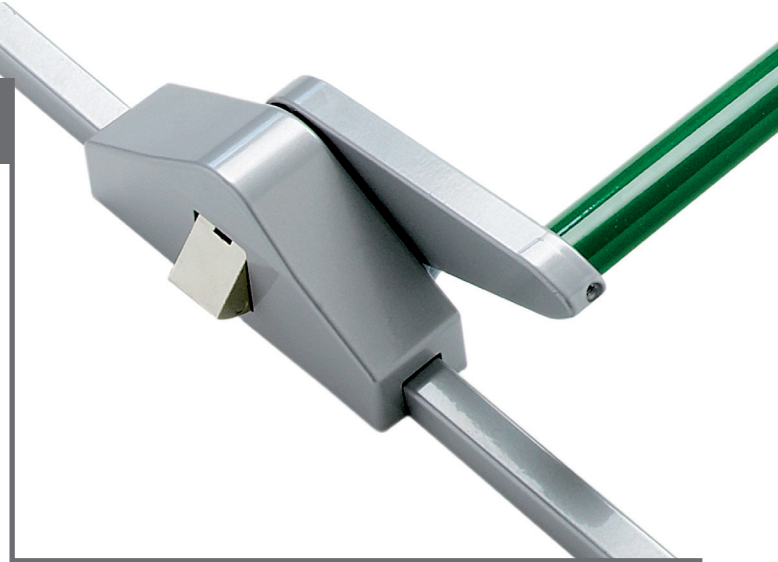
- For use on single doors
- May be used on double doors with plain meeting stiles (one 2 point per leaf)
- 2 or 3 point locking point option (site selectable)
- Steel deadlatch
- Rods with integral cover
- Push bars and rods can be cut to size
- To suit door widths:  
882- doors up to 900mm wide  
882-W - doors up to 1200mm wide



### 882L / 882L-W 2/3 Point Locking Push Bar Panic Device with Lateral Latches

- Application as for 882/882-W but for use on single doors only
- To suit door widths:  
882L- doors up to 900mm wide  
882L-W - doors up to 1200mm wide

Installation C



### 883 / 883-W Double Rebated Door Set



Installation E

- For use on double rebated doors
- 3 point locking comprising:  
Single point central steel deadlatch (first opening leaf)  
2 point upper & lower Pullman latches (second opening leaf)
- Rods with integral cover
- Push bars and rods can be cut to size
- To suit door widths:  
883- door leaves up to 900mm  
883-W - door leaves up to 1200mm



#### NOTE. Also for double rebated doors

- By combining 882 with 882L or (882-W with 882L-W) it is possible to achieve 4/5 point locking comprising:  
2/3 point lateral latches (first opening leaf)  
2 point upper & lower Pullman latches (second opening leaf)
- For this particular combination each product must be ordered separately

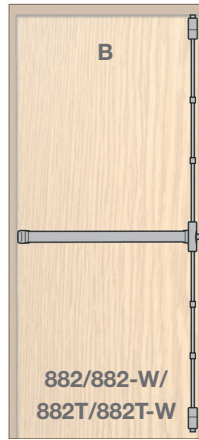
Installation F

# Installation Options - Touch bar (880T) & Push bar (880) Variants

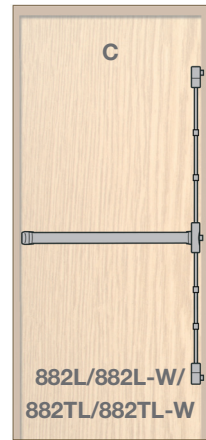
The 880 Series exit hardware devices are suitable for application to single and double doors. Door closers should be used for fire/smoke applications and, if these doors are rebated double, a door coordinator device must also be included.



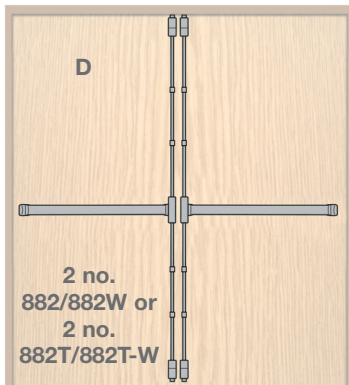
Single Point Locking



2/3 Point Locking - upper and lower Pullman latches



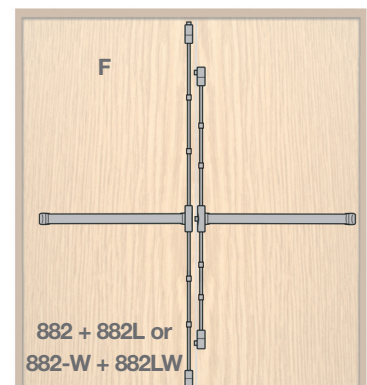
2/3 Point Locking - Lateral latches



Double Non Rebated Doors  
4 Point Locking



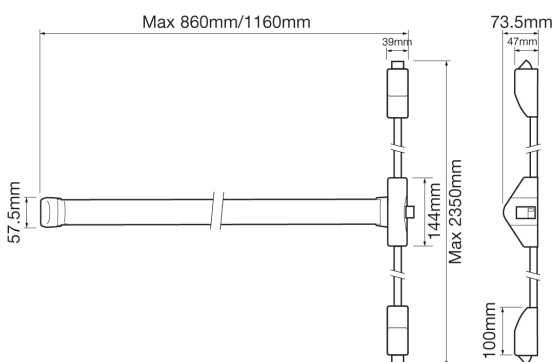
Double Rebated Doors  
3 Point Locking  
*Supplied as a set*



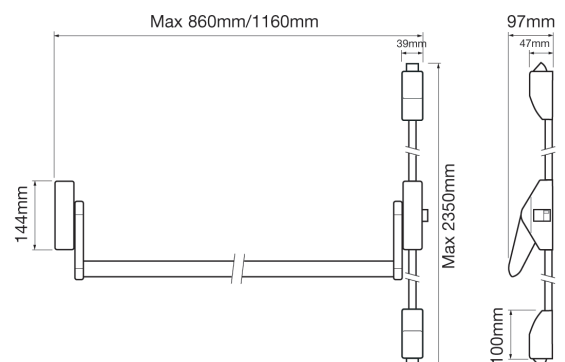
Double Rebated Doors  
4/5 Point Locking  
*Order products separately for this combination*

Above diagrams show the touch bar range, but are applicable to both touch and push styles of hardware.

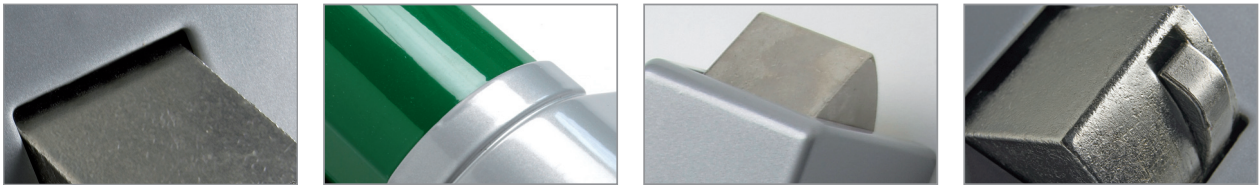
## 882T



## 882



For technical drawings on the complete range, please contact UNION for the product specification sheets.



**UNION Architectural Hardware**  
The Meadows, Cannock Road, Wolverhampton WV10 0RR  
t. 0845 22 32 124 f. 0845 22 32 125 e.info@uniononline.co.uk i. www.uniononline.co.uk

ASSA ABLOY is the global leader in door opening solutions, dedicated to satisfying end-user needs for security, safety and convenience.