



## Presidio Litter Bin

The Presidio Litter Bin was designed by Brian Kane to meet the rigorous demands of unsecured public spaces while keeping the focus on the surrounding environment. It is tough, fail-safe, graffiti-resistant and also remarkably refined. It is manufactured from rugged steel tubing, but bears the unmistakable mark of craft. It is simple in its vocabulary of elements, diversified in its possibilities, elegant in its form and presence.

### Specification:

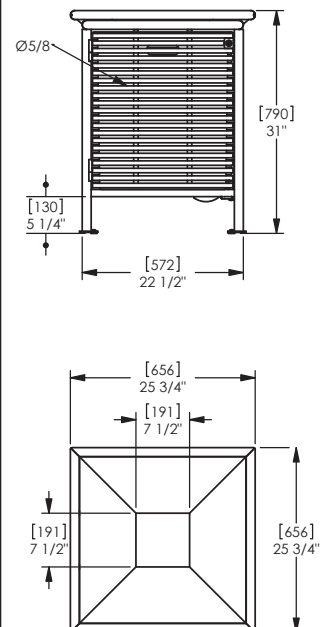
**Materials:**  
Steel.

**Finishes:**  
Panguard II powder coated.

**Fixings:**  
Free standing. Surface mounted.

### Dimensions

H: 790 / 1015mm  
W: 656mm  
D: 656mm  
Capacity: 109l



(Technical Drawings for variants available on request)

**artform**  
urban furniture