

DC-System

Disc Clamp

Structural Component System

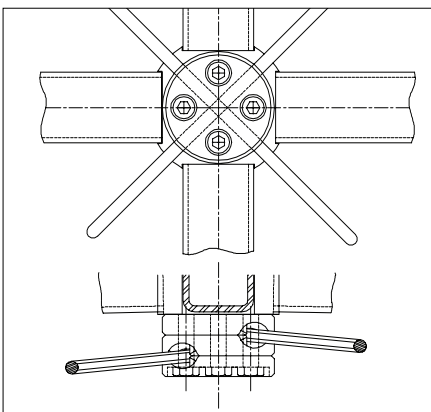
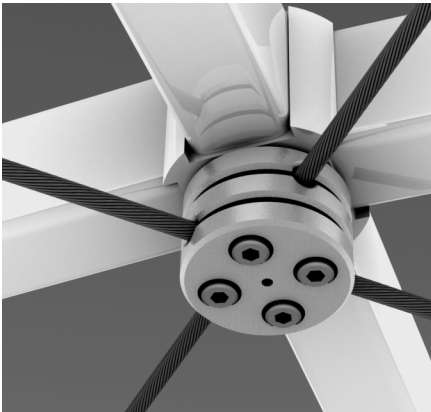
NOVUM



DC-System

Disc Clamp

Structural Component System



System Components

01. Discs are cast stainless steel Grade 304 or 316 or mild steel
02. Tension elements are stainless rods, stainless cables or galvanized cables
03. Bolts are typically Grade 316 stainless steel or high strength steel with a dacromet corrosion protection

Applications

01. Primary use is to join overlapping cables at their geometric intersections
02. Used to connect a secondary net of tension elements to a primary grid structure requiring stiffness or bracing
03. Used only in conjunction with other Novum Systems
04. Pre-stress loads are induced by the clamping process or by pulling of the tension elements

System Attributes

01. Clean and exciting technology aesthetic
02. Capable of stiffening thin shells very efficiently
03. Design of matching clamps allows for elegant minimal size connections
04. Clamps are specially designed to integrate with the Novum Corner Clamped Glass System
05. Allows two axis angular changes of tension elements at intersection points
06. Exposed yet recessed fasteners provide a well designed clean aesthetic
07. Structural needs are optimized in any application by the use of different rod or cable diameters
08. System is fully engineered by Novum's in-house engineers
09. Integrates simply with many other Novum Structural Systems (typically Tension Cable, Tension Rod, Block Knoten, Beam to Beam or Architecturally Exposed Steel)

Options/Materials/Finishes

01. Galvanized mild steel castings are standard
02. Options include satin finish or bead blasted stainless steel
03. Rods are satin finish
04. Galvanizing is standard for cables. Stainless steel is an optional upgrade
05. Liquid polyurethane clamp finish is possible on external faces