

Multifold Gates are the perfect solution to securing larger car park entrances whilst allowing the maximum ventilation necessary to allow exhaust fumes to escape.

The leaf design is available in a standard format or purpose-made to suit individual clients' requirements to interface with and complement external building cladding features.

The Multifold Gate particularly comes into its own when designers are faced with limited side-, head- or back-room which rule out rolling, overhead, hinged or sliding gates and the fact that the gates are sideways opening means that the leading edges are in constant view and therefore less prone to damage from vehicles passing through the opening.

The operation is simple and avoids the need for cables, springs etc., thus avoiding high maintenance after installation.

#### STANDARD SPECIFICATION

##### **Gate Leaves**

The gate leaves are available in various designs but typically comprise a 60 x 40mm RHS perimeter frame with 25mm diameter tubes or 25mm SHS uprights at 125mm centres. Higher gates have a mid-rail for strengthening purposes.

##### **Tracks**

The gate leaves are hung on four-wheel trolley bearing hangers which incorporate the panel hinges and run in a galvanised top track. An auxiliary top track is attached to allow the leaves to fold correctly.

Brass rollers connected to the bottom hinges run in a steel channel bottom track which is set for alignment within a 200 x 75mm chase before final grouting into position.

##### **Gate Arrangements**

The gates are normally face fixed to the inside of the opening but can be arranged to mount directly between jambs. They can be supplied as a single gate (bunching to one side) or bi-parting.

##### **Operation**

The gates are electrically operated as standard using a totally enclosed 3 phase motor gearbox mounted on the top track with open/close/stop push buttons adjacent to the opening at the slam side. Disconnection or emergency manual operation is provided at low level adjacent to the motor. Safety edges are fitted as standard to the leading edges.



##### MAXIMUM SIZES

Singles: 12 metres wide x 8 metres high  
Pairs: 24 metres wide x 8 metres high

##### FINISH

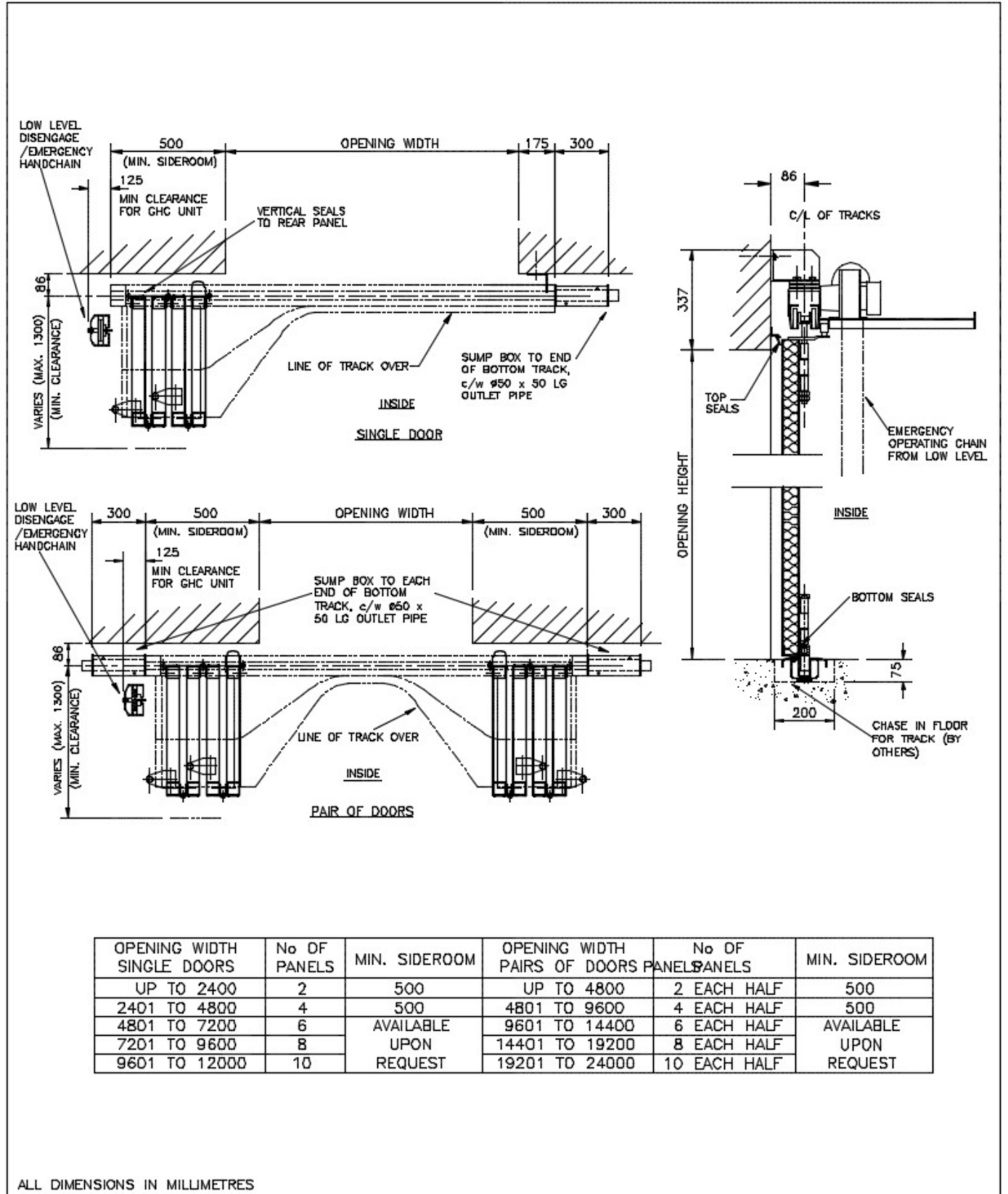
The gates are galvanised as standard. Polyester powder coating in a wide range of RAL colours is an optional extra.

##### WEIGHT

Varies dependent on gate leaf design but typically 35 kgs per m2.

##### OPTIONS

- Wicket gates (in main gate or adjacent in a fixed section)
- Polyester powder coating in a range of standard colours
- Remote control
- Photocells
- Timer close
- Loop detectors



OPENING WIDTH SINGLE DOORS	No OF PANELS	MIN. SIDEROOM	OPENING WIDTH PAIRS OF DOORS	No OF PANELS	MIN. SIDEROOM
UP TO 2400	2	500	UP TO 4800	2 EACH HALF	500
2401 TO 4800	4	500	4801 TO 9600	4 EACH HALF	500
4801 TO 7200	6	AVAILABLE	9601 TO 14400	6 EACH HALF	AVAILABLE
7201 TO 9600	8	UPON	14401 TO 19200	8 EACH HALF	UPON
9601 TO 12000	10	REQUEST	19201 TO 24000	10 EACH HALF	REQUEST

ALL DIMENSIONS IN MILLIMETRES