



TECHNICAL DATASHEET

METALPAD FOR PAVING



CLASS A1

Non-combustible Adjustable Height Paving Pedestal

53-300mm

Description

Class A1 MetalPad for Paving, the non-combustible adjustable height pedestals for suspended tile and slab floors on exterior and interior applications.

Galvanised steel pedestals with 4mm or 2mm lugs for adequate drainage to hold paving slabs or porcelain tiles without need for mortar or mechanical fixings, allowing inspection of the underlying surface.

Made with zero plastic and zero rubber content.

Accurate levelling of the floor surface with millimetre precision by twisting the solid M16 threaded stem to adjust the height.

For fine adjustments when the slab or tile is in place, a special ledge profile is included to fit a 21mm wrench.

The smooth circular baseplate is 150 mm diameter. This baseplate allows uniform distribution of the load of the upper floor without point loading or risk of punctures. The integrity of the waterproofing system or insulation is protected.

The MetalPad has a locking mechanism on the threaded bar to prevent the headpiece and the baseplate from separating.

If the height of the pedestal needs to be locked at a predetermined level before its installation, a fastening point in the centre of the headpiece can be locked using an M4 Allen Key.

A galvanised steel cap is provided to protect the moving parts from dust and water. The cap should be fitted in the centre of the headpiece by using a rubber mallet.

Material:

Headpiece Electro Galvanised Steel Sheet DC01 EN 10152
Base Plate
Cap

Threaded Stem 16mm diameter Galvanised Steel class 4:8

Fire Rating Class A1 (fl) EC Decision 96/603/EC
BS EN 13501-1 2018

Building Standards Compliance British Standard (balcony construction) BS 8579
Approved Document B (amend) 2019

Use / Purpose Suspended paving and tiling projects

Height Range 53-70mm, 70-100mm, 100-140mm, 140-220mm, 220-300mm

Base Plate 150mm diameter Circular Base plate with smooth underside
8 x drilled drainage holes 5mm diameter
4 x drilled fixing holes 8mm diameter

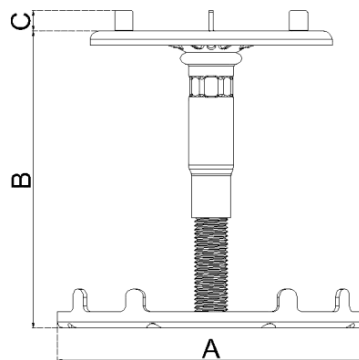
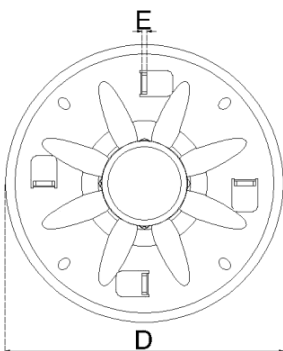
Lug Dimensions 10mm high, 4mm or 2mm wide

Included Closing cap for headpiece

Weight Tolerance 1,000kg per pedestal – normal load
2,000kg per pedestal – break point Dynamometer

Durability MetalPad for Paving is manufactured for long-term performance and resistance to corrosion, exposure to elements and to UV rays

Warranty Limited warranty 15 years
Life span 50 years

Measurements

Code	Description	A	B	C	D	E
SP-MET-P-4-053-Z	Class A MetalPad - Paving - 53-70mm	150mm	53-70mm	10mm	118mm	4mm
SP-MET-P-4-070-Z	Class A MetalPad - Paving - 70-100mm	150mm	70-100mm	10mm	118mm	4mm
SP-MET-P-4-100-Z	Class A MetalPad - Paving - 100-140mm	150mm	100-140mm	10mm	118mm	4mm
SP-MET-P-4-140-Z	Class A MetalPad - Paving - 140-220mm	150mm	140-220mm	10mm	118mm	4mm
SP-MET-P-4-220-Z	Class A MetalPad - Paving - 220-300mm	150mm	220-300mm	10mm	118mm	4mm



www.wallbarn.com