

Tonic II Close Coupled WC Pan

Illustrated

- K3161** Tonic II close coupled wc pan with horizontal outlet with Aquablade technology
- K4050** Tonic II close coupled cistern 4/2.6 litre dual flush valve bottom supply and internal overflow
- K7065** Tonic II toilet seat and cover, slow close

Configuration options

- K4051** Tonic II close coupled cistern 6/4 litre dual flush valve bottom supply and internal overflow
- K7064** Tonic II toilet seat and cover, standard close

Material

Vitreous China

Weights

- K3161 31.00KG
- K4050 12.50KG
- K7065 2.35KG

Colours

White (01)

Standards

Vitreous china to BS3402. WC pan to BS EN 997 and BS EN 33

Special Notes

WC screwed to floor with concealed brackets (supplied) and cistern screwed to wall.

Designer

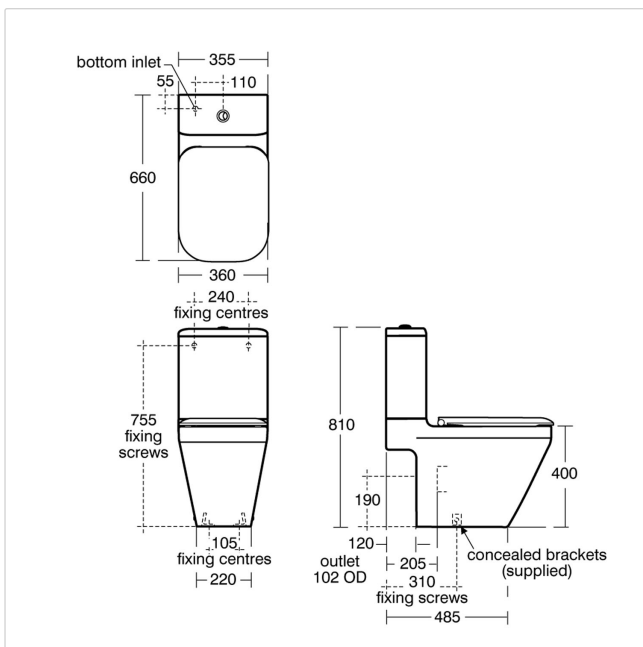
Artefakt Industriekultur

Frequently used applications

- | | |
|--------------------|----------------|
| Hotels | Office |
| Public Building | Pubs and Clubs |
| Residential | Retail |
| Sports and Leisure | |

Features

Water Saving



Email: info@idealspec.co.uk
 Tel: 0870 122 8822
 Fax: 0870 122 8282
 Web: www.idealspec.co.uk

Ideal Standard (UK) Ltd. makes every effort to ensure that the information provided on its website is accurate. However, we cannot guarantee this, and accept no liability for any information or advice given via its website.



Date created: 10/02/2016