



Tonic II Close Coupled Back to Wall WC Pan

Illustrated

- K3160** Tonic II close coupled back to wall wc pan with horizontal outlet with Aquablade technology
- K4050** Tonic II close coupled cistern 4/2.6 litre dual flush valve bottom supply and internal overflow
- K7065** Tonic II toilet seat and cover, slow close

Configuration options

- K4051** Tonic II close coupled cistern 6/4 litre dual flush valve bottom supply and internal overflow
- K7064** Tonic II toilet seat and cover, standard close

Material

Vitreous China

Weights

- K3160 29.00KG
- K4050 12.50KG
- K7065 2.35KG

Colours

White (01)

Standards

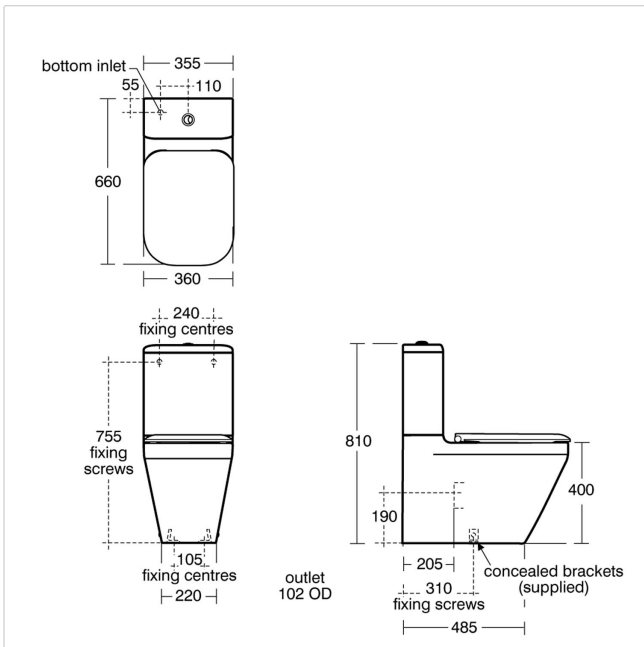
Vitreous china to BS3402. WC pan to BS EN 997 and BS EN 33

Special Notes

WC screwed to floor with concealed bracket (supplied)
cistern screwed to wall. Joint to wall sealed with waterproof sealant (not supplied).

Designer

Artefakt Industriekultur



Frequently used applications

- | | |
|--------------------|----------------|
| Hotels | Office |
| Public Building | Pubs and Clubs |
| Residential | Retail |
| Sports and Leisure | |

Features

Water Saving



Email: info@idealspec.co.uk
Tel: 0870 122 8822
Fax: 0870 122 8282
Web: www.idealspec.co.uk

