



## Tonic II Wall Mounted WC Pan

### Illustrated

- K3158** Tonic II wall mounted wc pan with Aquablade technology
- S3643** Conceala 2 cistern 4.5/3 or 4/2.6 litre dual flush valve side supply and internal overflow, alternative height plastic flushbends, no flushplate
- K7065** Tonic II toilet seat and cover, slow close
- E4465** Karisma flush plate dual flush, branded for Conceala 2 cisterns, chrome
- E0060** Support frame with bolts for wall hung WC pans

### Configuration options

- S3624** Conceala 2 cistern 6/4 litre dual flush valve top inlet and internal overflow, alternative height plastic flushbends
- K7064** Tonic II toilet seat and cover, standard close

### Material

Vitreous China

### Standards

Vitreous china to BS3402. WC pan to BS EN 997 and BS EN 33

### Weights

K3158	25.00KG
S3643	2.60KG
K7065	2.35KG
E4465	0.50KG
E0060	4.28KG

### Special Notes

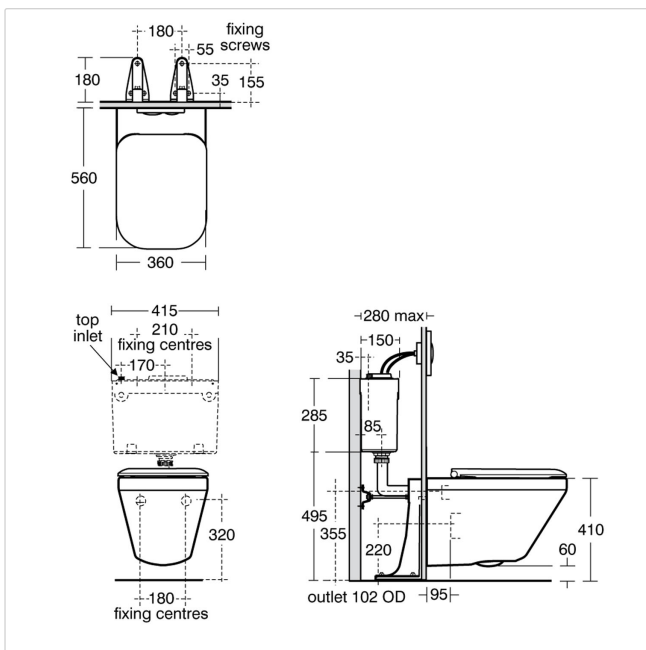
E0060 support brackets secured to floor within the duct, WC fixed to support brackets with hidden fixing set provided. Joint sealed with waterproof sealant (not supplied)

### Colours

White (01)

### Designer

Artefakt Industriekultur



### Frequently used applications

- |                    |                |
|--------------------|----------------|
| Hotels             | Office         |
| Public Building    | Pubs and Clubs |
| Residential        | Retail         |
| Sports and Leisure |                |

### Features

Water Saving



Email: [info@idealspec.co.uk](mailto:info@idealspec.co.uk)  
 Tel: 0870 122 8822  
 Fax: 0870 122 8282  
 Web: [www.idealspec.co.uk](http://www.idealspec.co.uk)

