

4000 & 6000

Home Lift Guide

Stylish Lifts
exclusively designed
for your Home



GARTEC

home

Welcome Home

GARTEC HOME PLATFORM LIFTS

Gartec Home are sister company to Gartec, our commercial side. Gartec Home offer a more refined domestic service, with every lift bespoke to your needs.

Founded in 1994, Gartec is one of the longest established platform lift companies in the UK. Through installing more platform lifts than any other company to date, our experience means we have almost certainly worked on a project like yours before.

When it comes to making your property more versatile, Gartec Home Lifts are a stylish and practical addition to any home, with the perfect meeting of design and functionality that allows everyone to access and enjoy your whole home forever.



CONTACT GARTEC HOME

Need advice about lifts? Want to book a trip to our show rooms? How about a free home visit, quote or drawing? Just give our friendly team a call or drop us an email.

Gartec Home
Unit 6, Midshires Business Park
Smeaton Close
Aylesbury
Buckinghamshire
HP19 8HL

Tel: 01296 397100
Email: sales@gartec.com
Website: www.gartechome.com

SHOWROOM

[Aylesbury Showroom](#)
Midshires Business Park
Smeaton Close
Aylesbury
Buckinghamshire
HP19 8HL

01296 397100
sales@gartec.com

OPENING TIMES

Monday to Friday
Open 8.30am - 5pm

24hr emergency breakdown
line: 01296 397100

Gartec Home

"Gartecs team were friendly and knowledgeable, kept me informed and even tidied everything up at the end!"

Mary Jones, Abingdon



"I would like to say that all at Gartec have been very helpful. The lift is my lifeline and enables me to live here"

Barbara, Stourbridge



"It took just 2 days to install and was far smoother and simpler than I ever imagined"

George Davidson, SW London



How It Works

Platform lifts are a very simple and safe way to travel between floors. All Gartec Home lifts use patented screw & nut technology to drive the platform using a reliable, quiet and efficient motor. There is no requirement for a separate machine room, hydraulic oil or pump box.

Two guide rails run from top to bottom on the back of the lift. The platform is connected to the guide rails ensuring a smooth ride is provided.

Emergency Battery Lowering

A secondary motor is fitted to the lift and connected to a battery source. In the event of a power failure the lift switches to battery operation and allows the user to return to the floor below and exit the lift without any external assistance.

Platform & Travel

The platform that you stand on and the console wall are the only parts that move as you travel up and down. The walls are static and you see these move past as you travel.

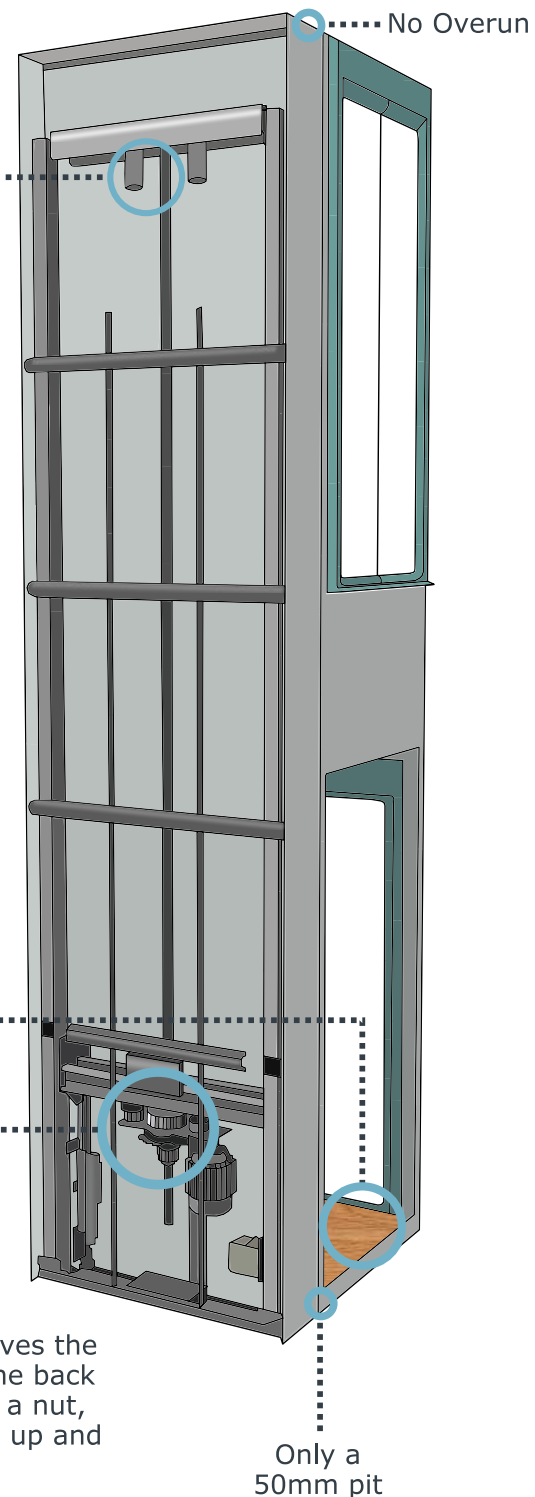
To start moving, you hold down the button on the control panel. When you let go, the lift stops moving, meaning you can change direction mid-travel.

Around the perimeter of the platform is a safety edge which stops the lift from moving when pressed down due to an obstruction.

Screw & Nut Technology

Our patented screw and nut technology drives the lift up and down. A threaded bar runs up the back of the platform to the top of the shaft, and a nut, which is attached to the platform, is driven up and down by a quiet and reliable motor.

Automatic lubrication of the screw is included as standard. It is connected to a sensor and timer so an indicator advises when levels are running low.



Design Options

Personalise the outside your lift with a range of options and finishes to blend in or stand out from your home design.

DOOR OPTIONS



GL Door
A glass & steel door with concealed door closer and aluminium trim to glass areas



Double Hinged Glass Doors
Doors are centrally opening leaves with concealed door openers and aluminium trim to glass areas.



Fire Door (60 Minutes)
Includes concealed door closer and aluminium trim to glass areas.

Available on Aritco 6000 only.

Optional Automatic Door

Press the landing call station button and the lift doors open.



Half Height Gate (Top Floor)
Includes concealed door closer and aluminium trim to glass areas.

Available on Aritco 6000 only. Maximum travel height 3m.

HANDLE OPTIONS

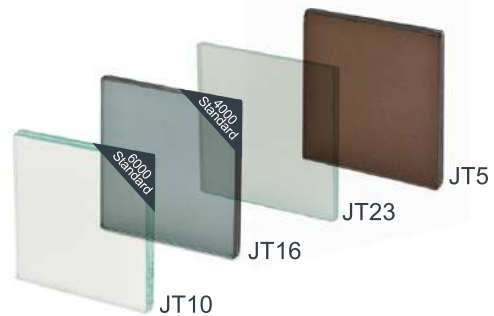


Aluminium Door Handle
Open ended rod style handle with fingerprint resistant finish.



Brushed Stainless Steel Door Handle
Open ended rod style handle with brushed steel finish. Fingerprint resistant finish.

GLASS OPTIONS



Glazing Tints for Doors and Shaft

Clear glass (JT10) is standard on the Aritco 6000. Tinted glass (JT16) is standard on the Aritco 4000.

You can have Clear Glass (JT10), Tinted Glass (JT16), Frosted Glass (JT23) or Dark Tinted Glass (JT5).

This can be changed on the doors and shaft. Shaft glass panels are available in 3 heights, or custom size up to 2500mm.

LIGHTING OPTIONS



The Aritco 6000 come as standard with LED shaft lighting.
The Aritco 4000 has LED lighting built into the console wall.

LOCKING OPTIONS



Both the Aritco 4000 and 6000 can have a key switch instead of call button to restrict access to your lift.

You will need the key to call and use the lift, and the door locks again 10 seconds after it has closed.

Platform Options

Personalise the inside your lift with a range of options and finishes to blend in or stand out from your home design.

PLATFORM OPTIONS



4000 Standard

Full Height Console

As standard on the Aritco 4000 only.

Full height panel houses controls, mirror, handrail and integral lighting above. Includes safety stop edge.

Total height: 2200mm



6000 Standard

Half Height Console

As standard on the Aritco 6000 only.

Half height panel houses controls and handrail, with safety stop edge.

Total height: 1100mm



Full Height Console with Mirror

Available on the Aritco 6000 only.

Full height panel houses controls, mirror, integral lighting, handrail and safety stop edge.

Total height: 2000mm

COMMUNICATION OPTIONS



Standard

Alarm Button

Fitted on the lift as standard, when pressed a buzzer sounds.



External Alarm

Mounted inside or outside the lift, when the alarm button is pressed this will give a loud signal to attract attention.



Standard

Telephone

Attached to the platform, this can be used like a normal phone. Intended for emergency situations.



Autodialler

Integrated in the control panel, the autodialler rings a set of pre-entered numbers when the alarm button is pressed.

When unanswered, the next number is called.

HANDRAIL OPTIONS



Standard

Aluminium Platform Handrail

Open ended rod style handrail with fingerprint resistant finish.



Brushed Stainless Steel Platform Handrail

Open ended rod style handrail with brushed steel fingerprint resistant finish.

DESTINATION OPTIONS



Bespoke Platform Floor Lettering

Bespoke lettering can be displayed above the buttons on the platform.

Max. 10 letters per stop.



Platform Floor Indicator

A voice and LED display notifying the user of the landing reached and the current position of the lift whilst travelling.

Positioned on the control panel on the platform.



Landing Position Indicator

Illuminated LED display showing the current position of the lift from outside.

Positioned on the exterior of the lift.

ENTRY OPTIONS

Choose from either a 50mm pit, or one of these thresholds.



Standard

Oak or aluminium threshold step

Galvanised steel entry ramp painted to match colour choice for door frames

Corrugated aluminium entry ramp



Colour Your Lift

We know that every home looks different, and understand you want to design your lift so it matches all of your home.

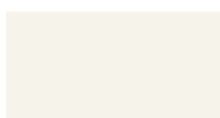
The walls, frames and doors can each be painted in different colours to fit your personal style.

WALL & DOOR COLOURS

As standard, the whole lift is painted in Traffic White (RAL 9016). The whole lift can be painted in an optional colour from below, as can the door frames and any covered walls.



RAL 9016 Traffic White



RAL 9010 Pure White



RAL 7047 Telegrey 4



RAL 1015 Light Ivory



RAL 3020 Traffic Red



RAL 5002 Ultramarine Blue



RAL 8017 Chocolate Brown



RAL 9005 Jet Black



RAL 9006 White Aluminium



RAL 9007 Grey Aluminium



RAL 7045 Telegrey 1



RAL 7012 Basalt Grey



RAL 7016 Anthracite Grey

FLOORING OPTIONS

The floor of the lift adds an extra touch to the design. You have a number of quality handpicked floors to choose from to match with your home design.

Your own personal choice is also possible if you wish to match the flooring with your own home flooring.



Classic Walnut Vinyl



Oiled Oak Vinyl



European Oak Vinyl



Mineral Grey Vinyl



Checker Stud Black Rubber



Checker Stud Grey Rubber



Checker Grey Rubber



Checker Black Rubber



Checker Red Rubber

Technical Details

The technical specifications for the Aritco 4000 and 6000 are listed below. We take around 2-3 days to install the lift using a modular system which means no building works or scaffolding on site. If you need more information, please just get in touch.

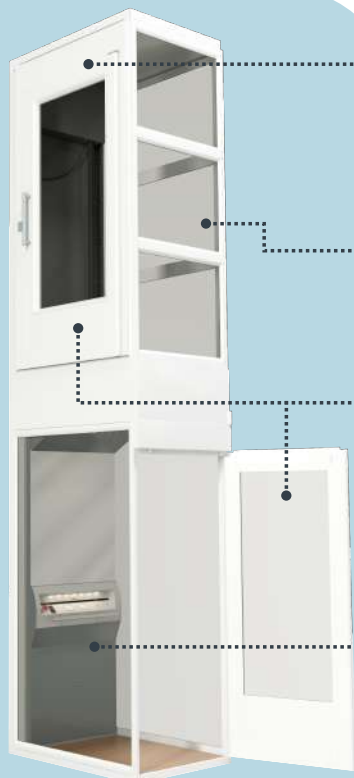
Our lifts come as standard with safety features including a safety edge around the platform, emergency stop button, lights, battery backup and self closing door mechanisms.

TECHNICAL INFORMATION

Type of Lift	Aritco Lift intended for installation in private homes
Technical Compliance	European Machine Directive 2006/42/EC European Standard EN81-41
Drive System	Screw & Nut System
Installation Environment	Internal
Installation	Recess Installation Pit: 50mm below floor Install Direct on Floor: 50mm ramp
Rated Speed	Max 0.15m/s
Power Requirement	1 Phase, 230V, 20A as standard 3 phase, 400V, 20A option on 6000* *3 phase required for 500kg option

MEASUREMENTS

Travel Height	250 - 13,000 mm																		
Top Height	Aritco 6000: 2240mm Aritco 4000: 2300mm																		
No. of Floors	2 to 6 floors																		
Call Button Controls	One touch operation																		
Carrier Control Panel	Hold to Run (continuous pressure)																		
Carrier Sizes & Rated Load	<p>Aritco 4000</p> <table border="0"> <tr> <td>805 x 580 mm</td> <td>250kg</td> </tr> <tr> <td>805 x 880 mm</td> <td>250kg</td> </tr> <tr> <td>805 x 1080 mm</td> <td>250kg</td> </tr> </table> <p>Aritco 6000</p> <table border="0"> <tr> <td>900 x 1040 mm</td> <td>410kg</td> </tr> <tr> <td>900 x 1280 mm</td> <td>410kg</td> </tr> <tr> <td>900 x 1480 mm</td> <td>410kg</td> </tr> <tr> <td>1000 x 1280 mm</td> <td>410kg</td> </tr> <tr> <td>1000 x 1480 mm</td> <td>410kg / 500kg*</td> </tr> <tr> <td>1100 x 1480 mm</td> <td>410kg / 500kg*</td> </tr> </table> <p><small>For shaft, floor opening and door sizes please see plan views page</small></p>	805 x 580 mm	250kg	805 x 880 mm	250kg	805 x 1080 mm	250kg	900 x 1040 mm	410kg	900 x 1280 mm	410kg	900 x 1480 mm	410kg	1000 x 1280 mm	410kg	1000 x 1480 mm	410kg / 500kg*	1100 x 1480 mm	410kg / 500kg*
805 x 580 mm	250kg																		
805 x 880 mm	250kg																		
805 x 1080 mm	250kg																		
900 x 1040 mm	410kg																		
900 x 1280 mm	410kg																		
900 x 1480 mm	410kg																		
1000 x 1280 mm	410kg																		
1000 x 1480 mm	410kg / 500kg*																		
1100 x 1480 mm	410kg / 500kg*																		



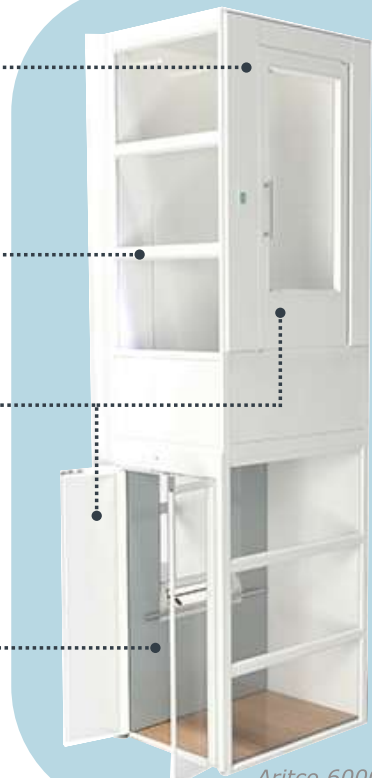
Aritco 4000

Lift Colour
The shaft panels and doors come as standard in RAL 9016 (Traffic White)

Lift Walls
Choose between glass or solid panels

Doors
Doors are fitted to the lift wall at each floor, on any of 3 sides.

Carrier & Control Panel
The carrier consists of the L-shaped platform that moves up and down when you travel. The lift is controlled by pressing and holding the floor buttons.



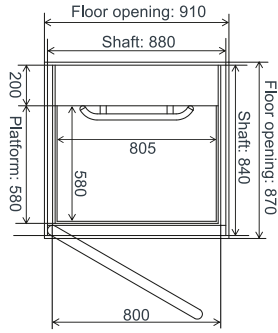
Aritco 6000

The 4000 & 6000 platform sizes are shown below with a range of door configurations. If you need a specific drawing, just let us know and we'll send one free of charge as part of our design service.

Plan Views

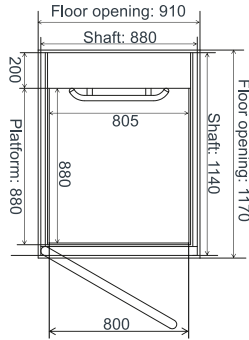
ARITCO 4000 PLANS

805 x 580



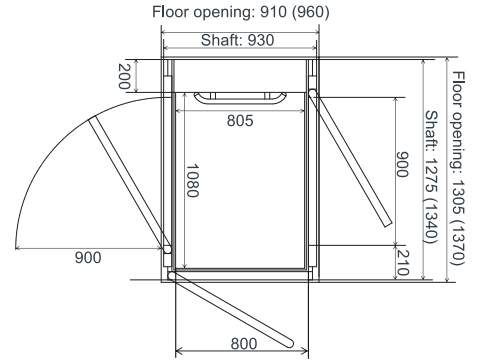
Hole through floor: 870 x 910mm
Platform: 805 x 580mm
Load: 250kg

805 x 880



Hole through floor: 1170 x 910mm
Platform: 805 x 880mm
Load: 250kg

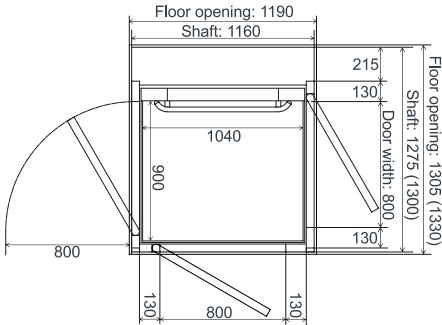
805 x 1080



Hole through floor:
- Doors A/C side: 1370 x 960mm
- Door B side: 1305 x 910mm
Platform: 805 x 1080mm
Load: 250kg

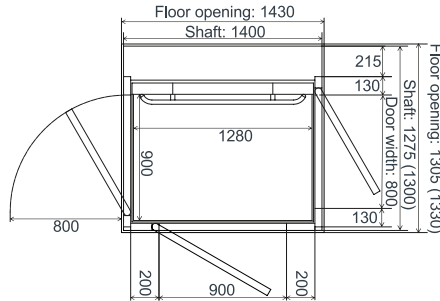
ARITCO 6000 PLANS

900 x 1040



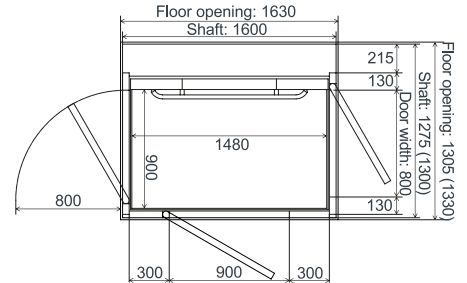
Hole through floor:
- Doors B side: 1330 x 1190mm
- Door A/C side: 1305 x 1190mm
Platform: 900 x 1040mm
Load: 250kg

900 x 1280



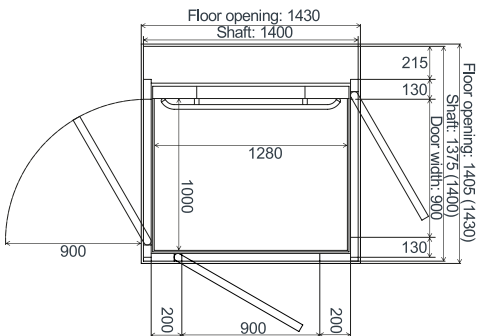
Hole through floor:
- Doors B side: 1330 x 1430mm
- Door A/C side: 1305 x 1430mm
Platform: 900 x 1280mm
Load: 410kg

900 x 1480



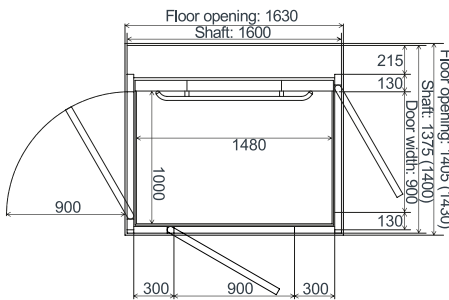
Hole through floor:
- Doors B side: 1330 x 1630mm
- Door A/C side: 1305 x 1630mm
Platform: 900 x 1480mm
Load: 410kg

1000 X 1280



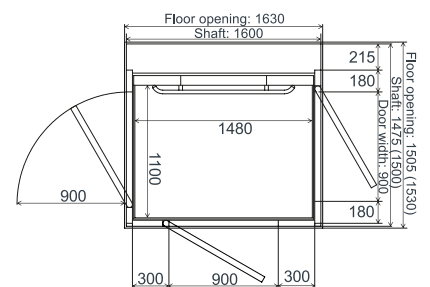
Hole through floor:
- Doors B side: 1430 x 1430mm
- Door A/C side: 1405 x 1430mm
Platform: 1000 x 1280mm
Load: 410kg

1000 X 1480



Hole through floor:
- Doors B side: 1430 x 1630mm
- Door A/C side: 1405 x 1630mm
Platform: 1000 x 1480mm
Load: 410kg

1100 X 1480



Hole through floor:
- Doors B side: 1530 x 1630mm
- Door A/C side: 1505 x 1630mm
Platform: 1100 x 1480mm
Load: 410kg

4000 Gallery

Gartec Home have installed Aritco 4000 lifts at a vast range of homes, all with their own individual style.

We take pride in the lifts we install, and love to share inspiration. Take a look at these great ideas to make your lift a stylish addition to your home.



6000 Gallery



Gartec Home have installed Aritco 6000 lifts in a vast range of homes, all with their own individual style.

We take pride in the lifts we install, and love to share inspiration. Take a look at these great ideas to make your lift a stylish addition to your home.



GARTEC

home



+44 (0)1296 397100



sales@gartec.com



www.gartechome.com

Gartec are the UK's leading supplier and installer of platform lifts, utilising over 20 years' experience to bring you the very best.

The Gartec Home division has been created specifically to give you the extra care and attention required. Our lifts are tailored to home life to give you the most from your lift, and created with you in mind.

We are wholly owned by our manufacturer, Aritco Group, who are based in Kungsängen, Sweden. All the research and development is completed in Sweden, bringing both form and function to the highest quality, from design to installation in your home.