

MATERIAL CHARACTERISTICS

DRAINAGE CHANNEL AND COMPONENTS	
POLYMER CONCRETE	on a Polyester resin basis, with mineral fillers, additives
COMPRESSION RESISTANCE	≥ 90 N/mm ²
FLEXURAL TENSILE STRENGTH	≥ 22 N/mm ²
MODULES OF ELASTICITY	25.000 – 35.000 N/mm ²
DENSITY	2,1 – 2,3 kg/dm ³
LINEAR EXPANSION COEFFICIENT	approx. 1,45 x 10 ⁻⁵ 1/K
HEAT RESISTANCE	100°C permanent exposure, short-term exposure (5 min.) to 200°C
FROST RESISTANCE	- 50°C
WATER PENETRATION LEVEL	0 mm
WATER ABSORPTION	< 0,05% DIN 52 103 (A)
MATERIAL STRUCTURE	capillary free

PURPOSE OF USE

Component for the line drainage of surfaces in order to collect, transport and discharge rainwater from adjacent fixed surfaces.

**) Not suitable for the diagonal or transverse travel of motorways and highways.

MEAKERB 320 & 500

A 15, B 125, C 250, D 400**

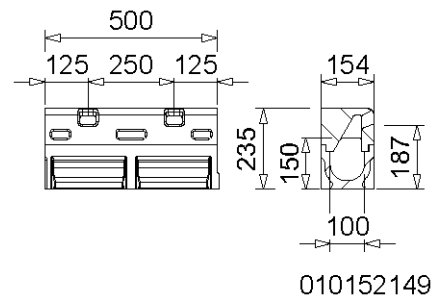
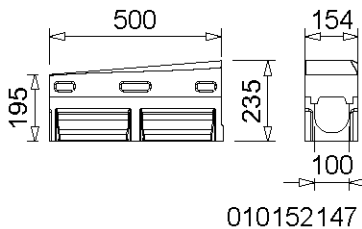
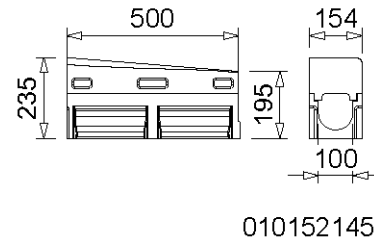
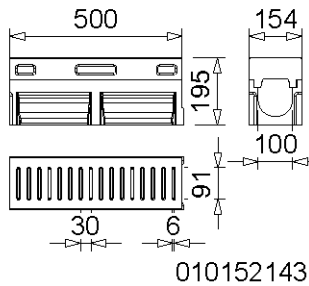
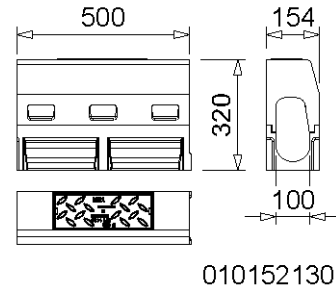
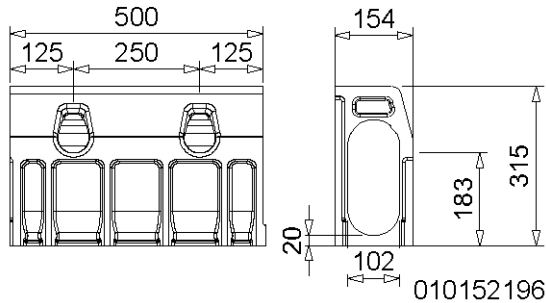
CW 100



BUILDING SUCCESS

MEAKERB 320 POLYMER CONCRETE DRAINAGE CHANNEL ONE-PIECE KERBSTONE CHANNEL COMBINATION

Clear width of the channel body 100 mm, total width 154 mm. Loading class D 400** following to EN 1433.

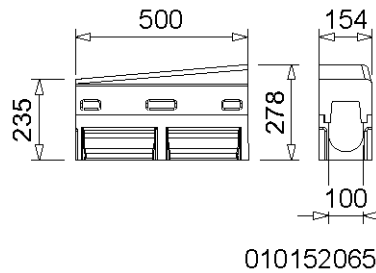
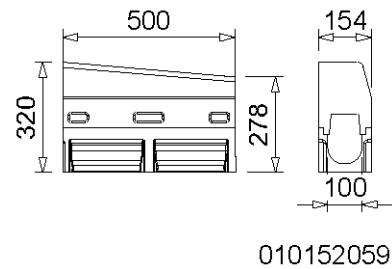
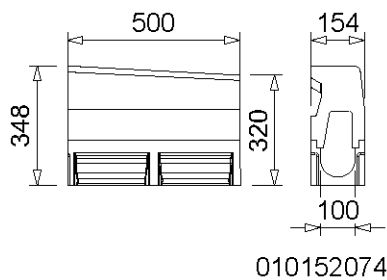
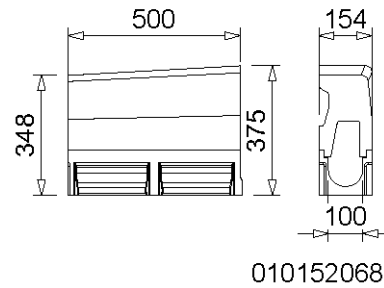
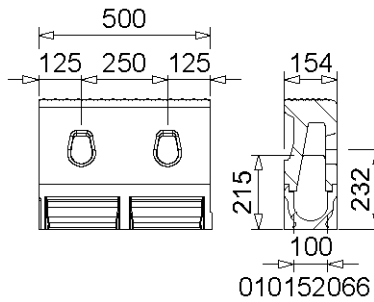


MEAKERB 320-SYSTEM

Designation	Ord. No.	Length [mm]	Height [mm]	Height 2 [mm]	kg/unit
MEAKERB 320 Kerbstone Standard monolithic	010152196	500	315	-	20,51
MEAKERB 320 CS Lower shelf without inlet opening for the entrance area *)	010152197	500	235	-	24,12
MEAKERB 320 AP channel element with inspection opening	010152130	500	320	-	27,00
MEAKERB 320 CF centre element for threshold-free installation in the entrance area *)	010152143	500	195	-	16,75
MEAKERB 320 CFL lowering element "left" as connection between centre elements free of low side and threshold *)	010152145	500	235	195	21,70
MEAKERB 320 CFR lowering element "right" as a connection between centre elements free of low side and threshold *)	010152147	500	195	235	22,80
MEAKERB 320 CP low side panel with inlet opening for the entrance area *)	010152149	500	235	-	24,00

*) Delivery time on demand

**) Not suitable for the diagonal or transverse travel of motorways and highways.



MEAKERB 320-SYSTEM

Designation	Ord. No.	Length [mm]	Height [mm]	Height 2 [mm]	kg/unit
MEAKERB 320 BS High kerbstone for level boarding the bus *)	010152066	500	375	-	35,26
MEAKERB 320 BL/H Ramp element "left up" as connection between the ramp Standard and bus boards *)	010152068	500	347,5	375	35,48
MEAKERB 320 BL/L Ramp element "left down" as connection between the ramp Standard and bus boards *)	010152070	500	320	347,5	31,01
MEAKERB 320 BR/H Ramp element "right up" as connection between the ramp Standard and bus boards *)	010152072	500	375	347,5	35,73
MEAKERB 320 BR/L Ramp element "right down" as connection between the ramp Standard and bus boards *)	010152074	500	347,5	320	30,90
MEAKERB 320 DL/H Lowering element „left high“ connects standard and lower shelf *)	010152059	500	320	277,5	27,50
MEAKERB 320 DL/L Lowering element „left down“ connects standard and lower shelf *)	010152061	500	277,5	235	24,60
MEAKERB 320 DR/H lowering element "right up" connects standard and lower shelf *)	010152063	500	277,5	320	27,40
MEAKERB 320 DR/L lowering element "right down" connects standard and lower shelf *)	010152065	500	235	277,5	24,60
MEAKERB 320/500 Expansion joint disc large *)	010151799	-	-	-	0,32

*) Delivery time on demand

**) Not suitable for the diagonal or transverse travel of motorways and highways.

MEAKERB 320 & 500

A 15, B 125, C 250, D 400**

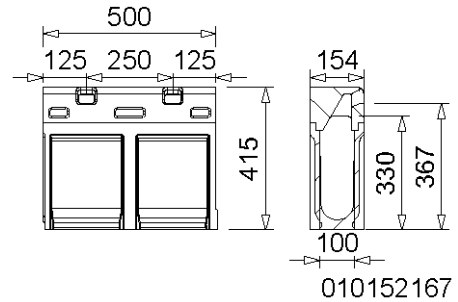
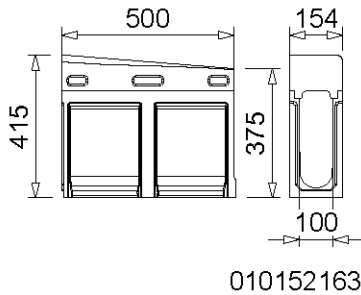
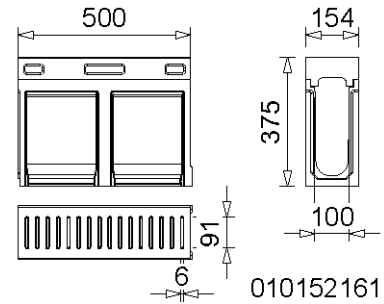
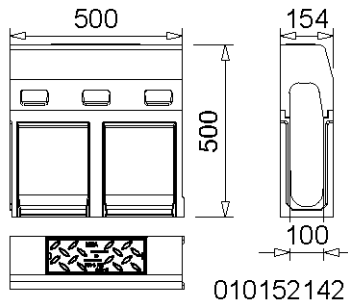
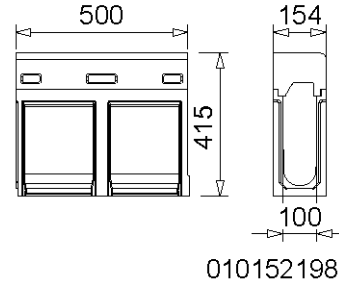
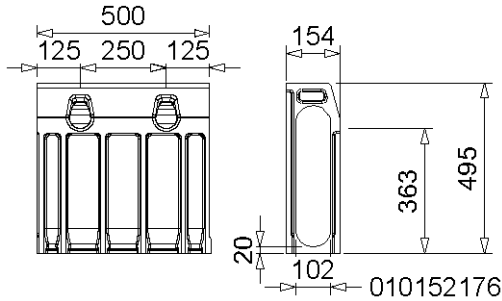
CW 100



BUILDING SUCCESS

MEAKERB 500 POLYMER CONCRETE DRAINAGE CHANNEL ONE-PIECE KERBSTONE CHANNEL COMBINATION

Clear width of the channel body 100 mm, total width 154 mm. Loading class D 400** following to EN 1433.



MEAKERB 500-SYSTEM

Designation	Ord. No.	Length [mm]	Height [mm]	Height 2 [mm]	kg/unit
MEAKERB 500 standard monolithic kerb stone	010152176	500	500	-	28,35
MEAKERB 500 CS Low kerb without inlet opening for the entry area	010152198	500	415	-	32,50
MEAKERB 500 AP Standard kerb stone with inspection opening	010152142	500	500	-	36,33
MEAKERB 500 CF Central element for the threshold-free installation in the entry area	010152161	500	375	-	24,00
MEAKERB 500 CFL Lowering element left as a connection between low curb and threshold-free central elements	010152163	500	415	375	30,56
MEAKERB 500 CFR Lowering element right as a connection between low curb and threshold-free central elements	010152165	500	415	375	30,97
MEAKERB 500 CP low kerb element with inlet opening for the entry area	010152167	500	415	-	31,00

**) Not suitable for the diagonal or transverse travel of motorways and highways.

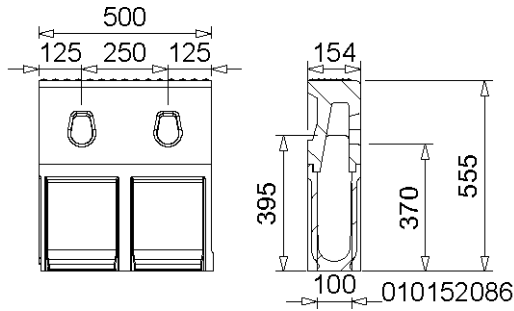
MEAKERB 320 & 500

A 15, B 125, C 250, D 400**

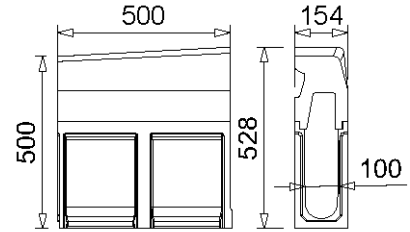
CW 100



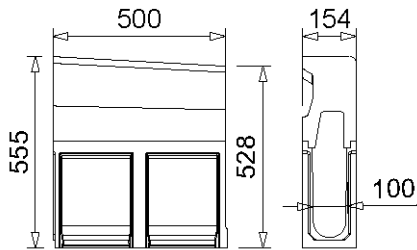
BUILDING SUCCESS



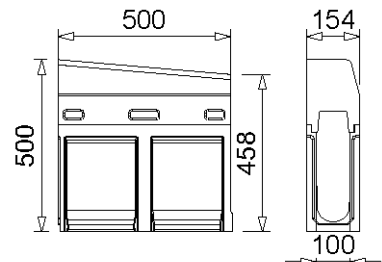
010152086



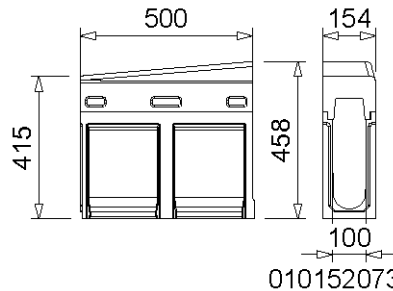
010152090



010152092



010152067



010152073

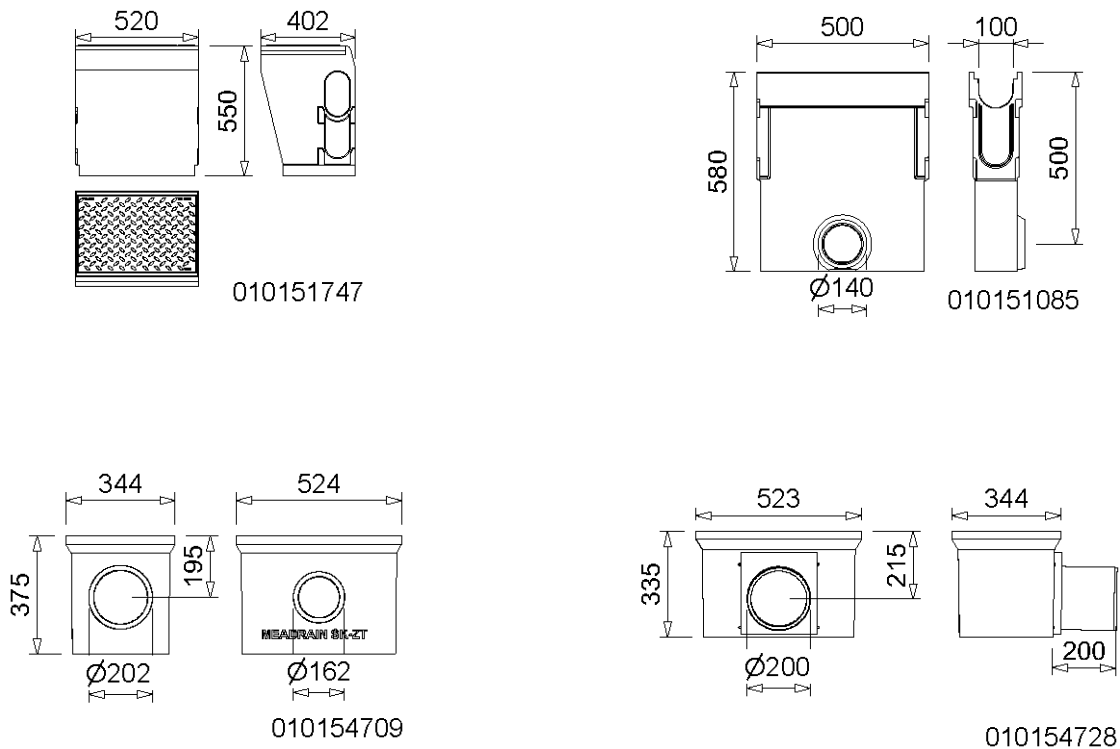
MEAKERB 500-SYSTEM

Designation	Ord. No.	Length [mm]	Height [mm]	Height 2 [mm]	kg/unit
MEAKERB 500 BS High kerb stone for the level to board the bus	010152086	500	555	-	42,50
MEAKERB 500 BL/H Ramp element left high as a connection between standard and bus kerbs	010152088	500	555	527,5	42,80
MEAKERB 500 BL/L Ramp element left low as a connection between standard and bus kerbs	010152090	500	527,5	500	38,30
MEAKERB 500 BR/H Ramp element right high as a connection between standard and bus kerbs	010152092	500	555	527,5	42,80
MEAKERB 500 BR/L Ramp element right low as a connection between standard and bus kerbs	010152094	500	527,5	500	38,30
MEAKERB 500 DL/H Lowering element left high connects standard and low kerb	010152067	500	500	457,5	35,53
MEAKERB 500 DL/L Lowering element left low connects standard and low kerb	010152069	500	457,5	415	32,44
MEAKERB 500 DR/H Lowering element right high connects standard and low kerb	010152071	500	500	457,5	35,52
MEAKERB 500 DR/L Lowering element right low connects standard and low kerb	010152073	500	457,5	415	32,36
MEAKERB 320/500 Expansion joint disc large *)	010151799	-	-	-	0,32

*) Delivery time on demand

**) Not suitable for the diagonal or transverse travel of motorways and highways.

ACCESSORIES FOR ONE-PIECE KERBSTONE CHANNEL COMBINATION



MEAKERB 320/500 Gully

Designation	Ord. No.	Length [mm]	Height [mm]	kg/unit
MEAKERB G-UP Gully upper part including closed cover *)	010151747	520	550	71,35
MEAKERB MKT AP Gully upper part including closed ductile iron cover	010151746	500	210	20,57
MEAKERB 1000.EK UT Gully bottom part with sediment bucket	010151085	500	580	28,00
MEA SK-ZT Gully intermediate part made of polymer concrete for a height extension	010154709	524	375	23,31
MEA SK-UT short Gully lower part, with integrated drain outlet Ø 160 mm	010154726	524	335	25,16
MEA SK-UT short Gully lower part, with integrated drain outlet Ø 200 mm	010154728	524	335	27,00
MEA Gully plastic Sediment bucket-short for gully with gully upper and lower part	010154714	-	-	1,90
MEA Gully plastic Sediment bucket-long for gully with gully upper, intermediate and lower part *)	010154718	-	-	2,50

*) Delivery time on demand

**) Not suitable for the diagonal or transverse travel of motorways and highways.

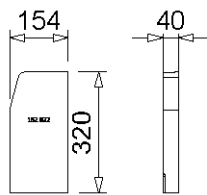
MEAKERB 320 & 500

A 15, B 125, C 250, D 400**

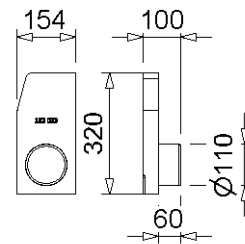
CW 100



BUILDING SUCCESS



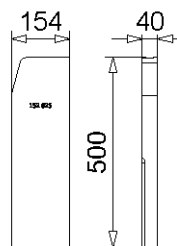
010152022



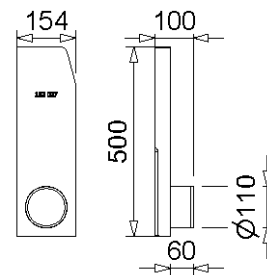
010152023

MEAKERB 320 END CAPS

Designation	Ord. No.	Material	kg/unit
MEAKERB 320.SE End cap for channel start/end	010152022	Polymer concrete	4,10
MEAKERB 320.R End cap right with connector Ø 110 mm	010152023	Polymer concrete	3,70
MEAKERB 320.L End cap left side with connector Ø 110 mm	010152024	Polymer concrete	3,61



010152025



010152027

MEAKERB 500 END CAPS

Designation	Ord. No.	Material	kg/unit
MEAKERB 500.SE Lower end cap for channel start/end	010152025	Polymer concrete	6,70
MEAKERB 500.R End cap right with an integrated outlet Ø 110 mm	010152026	Polymer concrete	6,00
MEAKERB 500.L End cap left with an integrated outlet Ø 110 mm	010152027	Polymer concrete	6,00

**) Not suitable for the diagonal or transverse travel of motorways and highways.

This edition of the technical data sheet is valid from May 2023 until the publication of a revised version and replaces earlier publications. The current version is available for download at www.mea-group.com.

MEA Bautechnik GmbH
 Business unit Water Management
 Sudetenstraße 1
 86551 Aichach
 Tel.: +49 (0) 82 51. 91 0
 Fax: +49 (0) 82 51. 91 13 06
 E-Mail: info@mea-group.com
www.mea-group.com