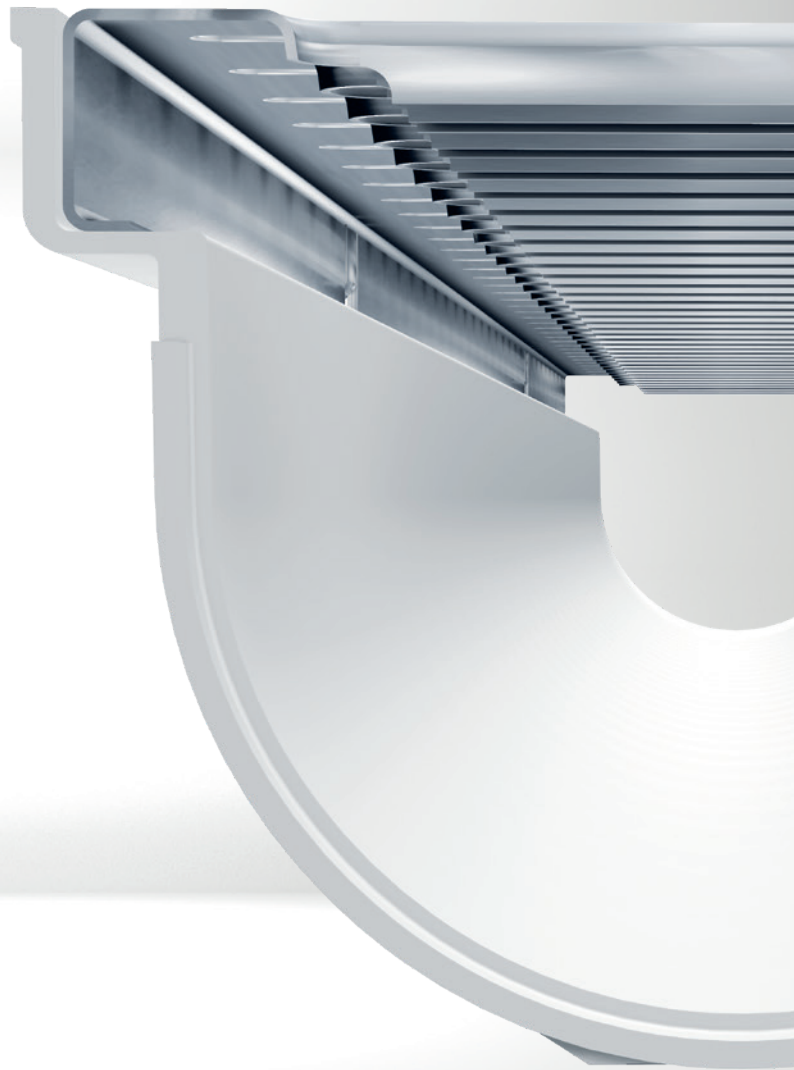


# MEAHOME PLUS

ROBUST AND DURABLE



## DRAINAGE SOLUTION FOR HOME AND GARDEN

COMPLETE DRAINAGE CHANNELS MADE OF GLASS-FIBRE REINFORCED COMPOSITE (GRP)



## MEAHOME PLUS SIMPLE AND EFFICIENT

### **Drainage channel MEAHOME PLUS for house and garden**

The MEAHOME drainage channel was especially developed for being used around homes as well as in gardens, courtyards and landscaped areas. The MEAHOME PLUS channels are passenger cars passable including a pre-mounted slotted grating or optionally with our TSC TOPSLOT for a discreet installation.

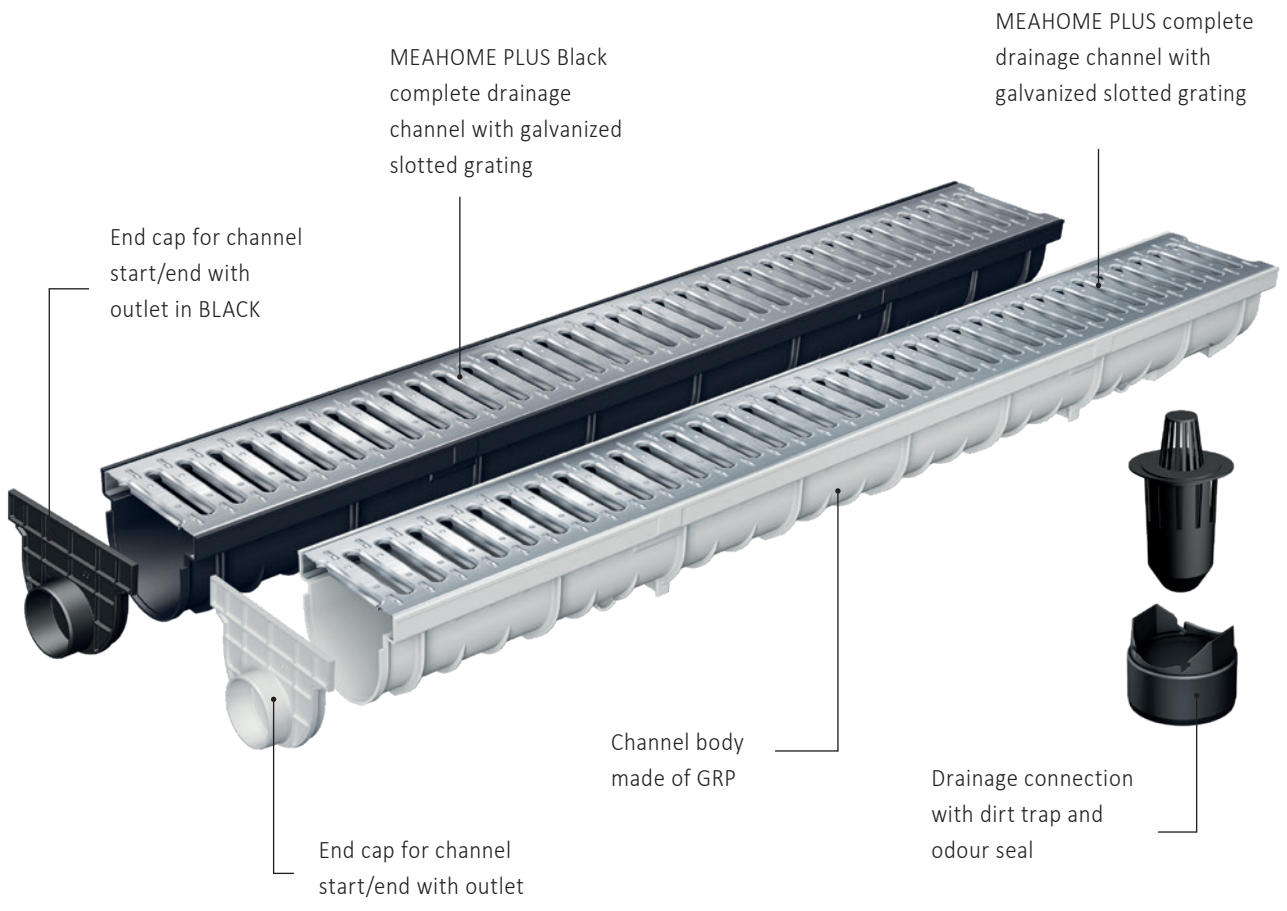
### **Anasphalttable drainage channel made of GRP: MEAHOME PLUS**

Since the MEAHOME PLUS drainage channels are made of high-quality GRP, they are particularly sturdy and resistant to oil, chemicals or salt. Their light weight makes the installation fast and easy. Thanks to the smooth surface of the GRP material, the rain water is being evacuated fast as well as possible dirt particles. MEAHOME PLUS is also available in black: MEAHOME PLUS BLACK.

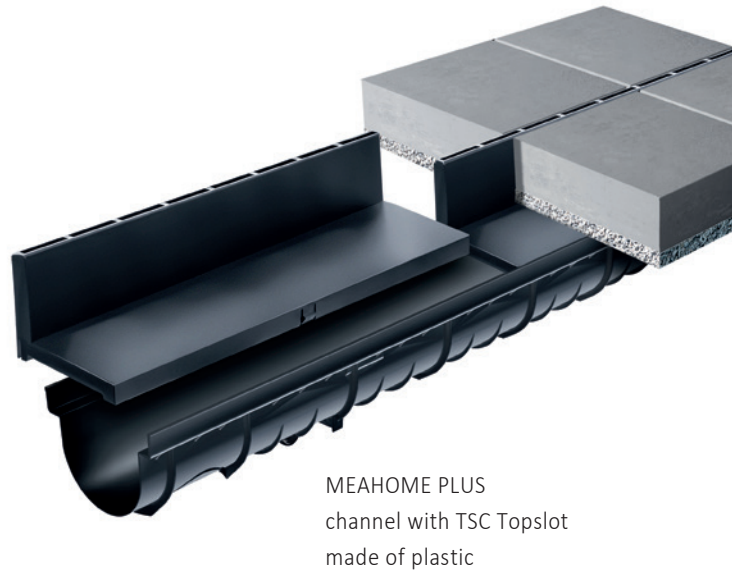
### **MEAHOME PLUS with TSC Topslot**

For an elegant and discreet installation in yards, around swimming pools, terraces or in front of a garage, the MEAHOME PLUS can be delivered with our MEA TSC TOPSLOT. The performance of the channel remains the same despite almost disappearing in the ground.





- Advantages:**
- > Material glass-fibre reinforced composite: robust and durable
  - > Fast and easy installation
  - > Passenger car passable. Loading class B 125 according to DIN EN 1433
  - > End caps and vertical outlet connection available
  - > Heat-resistant – hot asphalt can be poured directly at the drainage channel
  - > Chemical and salt resistant
  - > No rusting of the edges since made of high-quality GRP



MEAHOME PLUS channel with TSC Topslot made of plastic



**BUILDING SUCCESS**

MEA Bautechnik GmbH ■ Sudetenstraße 1 ■ D-86551 Aichach ■ [www.mea-group.com](http://www.mea-group.com)  
Business unit MEA Water Management