

MATERIAL CHARACTERISTICS

DRAINAGE CHANNEL BODY AND COMPONENT BODY

- o GFK (UP-GF): Glass-fibre-reinforced polyester, Mineral fillers, additives
- o tensile strength: 65 N/mm² (ISO527)
- o bending strength: 120 N/mm² (ISO14125)
- o bending E-Modul: 10.000 N/mm² (ISO14125)
- o linear expansion coefficient: 1,5 - 2,0 x 10⁻⁵/K
- o heat resistance: 100°C continuous load, short-term up to 200°C
- o frost-resistance: -35°C
- o water absorption: 0,078 % (EN ISO 62:2008-05 Procedure 1)
- o material structure: Capillary free

EDGE PROTECTION

MEARIN PLUS

- o glass-fibre-reinforced polyester

MEARIN

EXPERT

- o galvanised steel

Drainage Channel Covers

- o galvanised steel
- o cast iron GGG
- o stainless steel

Spacer

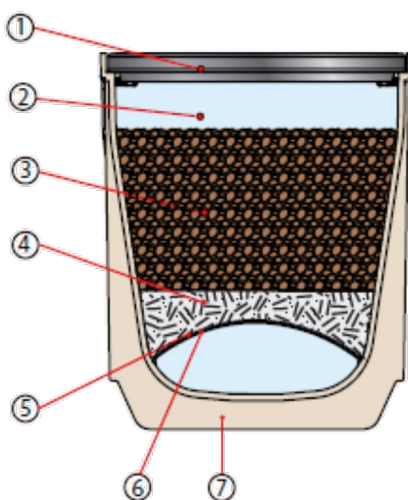
- o stainless steel

Performance Values Filtering

- o Connectable area: 15m²/running metres channel (at 100 l/s ha according to DIBt)
- o seepage performance: 1 to 3 x 10E-3 m/s
- o substrate: substrate:
- o service life: 15 to 25 years

Material Substrate zone

- o Enregis Biocalith RCS
- o Enregis Biocalith K
- o Geotextil



- 1 Grid or cover
- 2 Storage space for surface water
- 3 First Substrate layer, organic treatment
- 4 Second Substrate layer, treatment of heavy metals
- 5 Geotextile for retention of fines
- 6 Spacer
- 7 Channel Body

MEACLEAN PRO FILTER SYSTEM

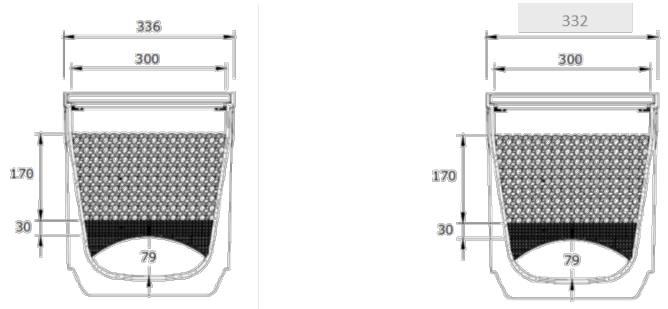
A 15, B 125, C 250, D 400**, E 600**

CW 300

** Not suitable for the diagonal or transverse travel of motorways and highways.

MEACLEAN PRO PLUS 300 AND EXPERT 300 DRAINAGE CHANNEL

Complete channels made of glass-fibre-reinforced composite with a multi-stage filter system for the treatment of contaminated rainwater. Clear width 300 mm, total width 332/336 mm. Suitable for drainage channel covers MEA 300 CLIPFIX. For the realization of water level slopes. Loading classes, A 15 to E 600** according to EN 1433. Load capacity according to MEA installation instructions. General Building Authority Approval Z - 84.2 – 16



012140600

MEACLEAN PRO PLUS 300 DRAINAGE CHANNEL WITHOUT FALL, UP TO LOADING CLASS D 400** ACCORDING TO EN 1433. COMPLETE CHANNEL WITH 1-METER STRAND LENGTH FOR CONNECTABLE AREAS OF 15 M²

Designation	Ord. No.	Length [mm]	Height [mm]	kg/unit
MEACLEAN PRO PLUS 300.0 Drainage channel with ENREGIS Biocalith MR-F1/K substrate with spacer made of stainless steel, pre-assembled for 1 meter of strand, with DIBT certificate ^{6) 14)}	012140600	1000	397	92,20

MEACLEAN PRO EXPERT 300 DRAINAGE CHANNEL WITHOUT FALL, UP TO LOADING CLASS E 600** ACCORDING TO EN 1433. COMPLETE CHANNEL WITH 1-METER STRAND LENGTH FOR CONNECTABLE AREAS OF 15 M²

Designation	Ord. No.	Length [mm]	Height [mm]	kg/unit
MEACLEAN PRO EXPERT 300.0 Drainage channel with ENREGIS Biocalith MR-F1/K substrate with spacer made of stainless steel, pre-assembled for 1 meter of strand, with DIBT certificate ^{6) 14)}	012140602	1000	397	94,12

** Not suitable for the diagonal or transverse travel of motorways and highways.

MEACLEAN PRO FILTER SYSTEM

A 15, B 125, C 250, D 400**, E 600**

CW 300



BUILDING SUCCESS

- 6) Connection option for vertical drain Ø 200 mm (drainage deformation), end caps with connector or to gullies/silt boxes.
 14) Connection option for corner-, t- and cross- connections.

MEACLEAN PRO SINGLE COMPONENTS

FOR DRAINAGE CHANNEL WITH MULTI-STAGE FILTER SYSTEM

MEACLEAN PRO SUBSTRATES ENREGIS

Designation	Ord. No.	Length [mm]	Height [mm]	kg/unit
MEACLEAN PRO substrate ENREGIS Biocalith MR-F1, enough for filling of 1/3 meter channel strand. 3 bags per meter are necessary. Filling according to MEACLEAN PRO installation instructions	010140586	40	30	25,00
MEACLEAN PRO Biocalith K, enough for filling of 1 meter channel strand. 1 bag per meter is necessary. Filling according to MEACLEAN PRO installation instructions	010140606	40	20	4,50
MEACLEAN PRO Substrate cover	010140610	-	-	4,50

MEACLEAN PRO SPACER STAINLESS STEEL, PRE-ASSEMBLED WITH GEOTEXTILE

Designation	Ord. No.	Length [mm]	Height [mm]	kg/unit
MEACLEAN PRO spacer made of stainless steel preassembled with Geotextile	010140604	1000	120	0,90

MEACLEAN PRO FLOOR LEVELLING TOOLS FOR FILLING AND LEVELLING SUBSTRATES

Designation	Ord. No.	MG	kg/unit
MEACLEAN PRO floor levelling tool set	010140608	MD	3,40

MEACLEAN PRO FILTER SYSTEM

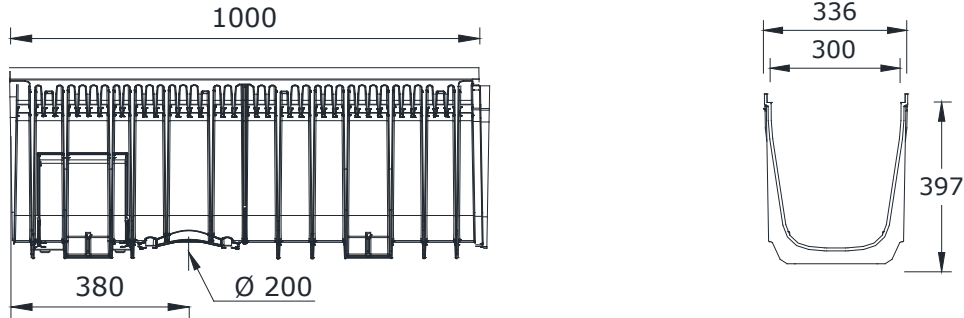
A 15, B 125, C 250, D 400**, E 600**

CW 300

** Not suitable for the diagonal or transverse travel of motorways and highways.

MEACLEAN PRO PLUS 300 AND EXPERT 300 SINGLE COMPONENTS

Glass-fibre-reinforced composite (UP-GF) channels. Clear width 300 mm, total width 332/336 mm. Suitable for drainage channel covers MEA 300 CLIPFIX. For the realization of water level slopes. Loading classes, A 15 to E 600** according to EN 1433. Load capacity according to MEA installation instructions



012140400

MEARIN PLUS 300 DRAINAGE CHANNEL BODY WITHOUT FALL, LOADING CLASS A 15 TO D 400** ACCORDING TO EN 1433

Designation	Ord. No.	Length [mm]	Height [mm]	kg/unit
MEARIN PLUS 300.0 Drainage channel body ^{6) 14)}	012140400	1000	397	10,00

MEARIN EXPERT 300 DRAINAGE CHANNEL BODY WITHOUT FALL, LOADING CLASS A 15 TO E 600** ACCORDING TO EN 1433

Designation	Ord. No.	Length [mm]	Height [mm]	kg/unit
MEARIN EXPERT 300.0 Drainage channel body ^{6) 14)}	012140406	1000	397	11,80

MEACLEAN PRO FILTER SYSTEM

A 15, B 125, C 250, D 400**, E 600**

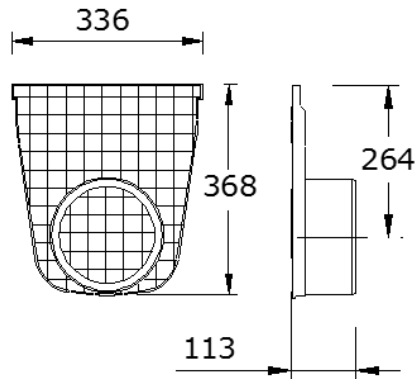
CW 300

** Not suitable for the diagonal or transverse travel of motorways and highways.

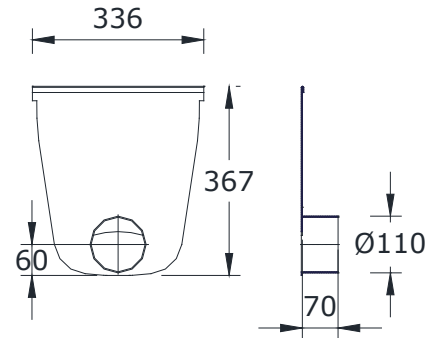
6) Connection option for vertical drain Ø 200 mm (drainage deformation), end caps with connector or to gullies/silt boxes.

14) Connection option for corner-, t- and cross- connections.

MEA CLEAN PRO SINGLE COMPONENTS MULTI-STAGE FILTER SYSTEM



010140424



010140576

MEARIN PLUS AND EXPERT 300 END CAPS

Designation	Material	Ord. No.	kg/unit
MEARIN PLUS/EXPERT 300 End caps closed, for channel start/end with Premark with preforming for Ø 200 mm pipe connection	PP	010140424	0,69
MEACLEAN PRO PLUS/EXPERT 300 End caps with pipe socket Ø 110 mm, for horizontal pipe connection at the end of the channel	Stainl. steel	010140576	2,00

** Not suitable for the diagonal or transverse travel of motorways and highways.

This edition of the technical data sheet shall be valid from September 2021 until a revised version is published and replaces any previous publications. The respectively current version is available for download at www.mea-group.com.

MEA Bautechnik GmbH
Business Unit Water Management
Sudetenstraße 1
86551 Aichach
Tel.: +49 (0) 82 51. 91 0
Fax: +49 (0) 82 51. 91 13 00
E-Mail: info@mea-group.com
www.mea-group.com