

## DATAS MEA V-BOXES

<b>Module A 300</b>	W 1,20m x H 0,40m x L 0.60m	(Gross volume: 288 liter )
<b>Module B 600</b>	W 1,20m x H 0,40m x L 1.20m	(Gross volume: 576 liter)
<b>Module C 900</b>	W 1,20m x H 0,40m x L 1.80m	(Gross volume: 864 liter)
<b>Module D 1200</b>	W 1,20m x H 0,40m x L 2.40m	(Gross volume: 1154 liter)

## DESIGN FOR 2 YEARS RAIN EVENT ACCORDING TO DWA-A 138 (VARY ACCORDING TO THE REGION)

coefficient of permeability $k_f$ in m/s	Anschließbare Dachfläche $A_{red}$ in m <sup>2</sup>		
	100	150	200
1xE-3 Rough sand (0,001 m/s)	Modul B 600	Modul C 900	Modul D 1200
1xE-4 Medium sand (0,0001 m/s)	Modul A 300 and Modul D 1200	Modul C 900 and Modul D 1200	Modul A 300 and Modul D 1200 and Modul D 1200
5xE-5 Fine sand (0,00001 m/s)	Modul B 600 and Modul D 1200	Modul A 300 and Modul D 1200 and Modul D 1200	Modul C 900 and Modul D 1200 and Modul D 1200
1xE-5 Silt and clay sand (0,00001 m/s)	Modul A 300 and Modul D 1200 and Modul D 1200	Modul A 300 and Modul D 1200 and Modul D 1200 and Modul D 1200	Modul A 300 and Modul D 1200 and Modul D 1200 and Modul D 1200 and Modul D 1200

## DESIGN FOR 5 YEARS RAIN EVENT ACCORDING TO DWA-A138 (VARY ACCORDING TO THE REGION)

coefficient of permeability $k_f$ in m/s	Connectable area in m <sup>2</sup>		
	100	150	200
1xE-3 Rough sand (0,001 m/s)	<b>Module C 900</b>	Module D 1200	Module D 1200
1xE-4 Medium sand (0,0001 m/s)	Module C 900 and Module D 1200	Module A 300 and Module D 1200 and Module D 1200	Module B 600 and Module D 1200 and Module D 1200 and Module D 1200
5xE-5 Fine sand (0,00001 m/s)	Module C 900 and Module D 1200	Module C 900 and Module D 1200 and Module D 1200	Module B 600 and Module D 1200 and Module D 1200 and Module D 1200
1xE-5 Silt and clay sand (0,00001 m/s)	Module C 900 and Module D 1200 and Module D 1200	Module D 1200 and Module D 1200 and Module D 1200 and Module D 1200	Module D 1200 and Module D 1200 and Module D 1200 and Module D 1200 and Module D 1200

Detailed calculations according to DWA-A138 are available on request. Insignificant differences may occur because of regional differences. Different dimensions of the modules on request.

Please notice also the general installation instructions for MEA infiltration and filtration systems.

**MEA INFILTRATION FILTER VFS 1**

Filtersystem made of pe for areas till 500 m<sup>2</sup>, PE-filter element, diameter of the manhole D450 mm, height 1800 mm, outlet Ø 110/160, Ablauf Ø 110/160, connection for overflow/ventillation cover, according to EN124 class A.

**MEA INFILTRATION FILTER VFS 1**

Description	Order No.	Material	Width [mm]	kg/unit
MEA seepage filter VFS 1 Ø 440 mm	010140660	PE	1800	30,00

**MEA GARTENFILTER 200 INCLUDED TELESCOPIC EXTENSION AND COVER**

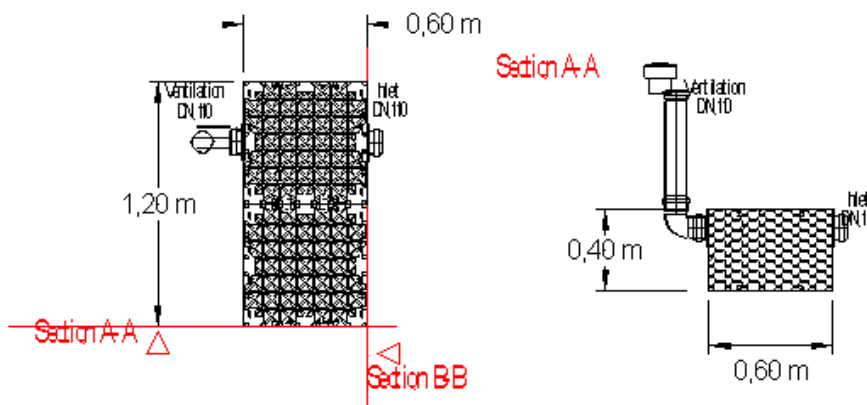
Rainwater central filter made of PE, for areas up to 200 m<sup>2</sup>, 2 connections ø 110 for inlet and overflow, 1 connection for drainage of the cleaned rainwater into the infiltration system, coarse filter insert made of pe with a mesh size of 1 mm, including telescopic extension and cover. Walkable.

**MEA GARDEN FILTER 200**

Description	Order No.	Material	kg/unit
MEA Gartenfilter 200 Ø 440 mm	010140658	PE	14,00

## MEA V-BOX MODULE A 300, GROSS VOLUME 288 LITER

Static optimized and high durable infiltration/storage system made of Polypropylene (PP) according to specification in grid construction for decentral, close to the surface infiltration and storage of rainwater. Optimized statics 165 load stamps / 1 m<sup>2</sup> base/surface for defined vertical loads and system functionality. Bursting strength > 500 kN/m<sup>2</sup>, car passable/SLW 60 from 80 cm with suitable soil cover. Long-time durability (>= 50 Years), storage coefficient: >95%. The system is in all directions and in all 3 dimensions easy flow through. With internal - inspection- and cleaning channel diameter 180mm and connection facility for discharge and outlet pipes of diameter 160mm.



## MEA V-BOX Module A 300 infiltration system, completely pre-assembled W 1,20m x H 0,40m x L 0,60m

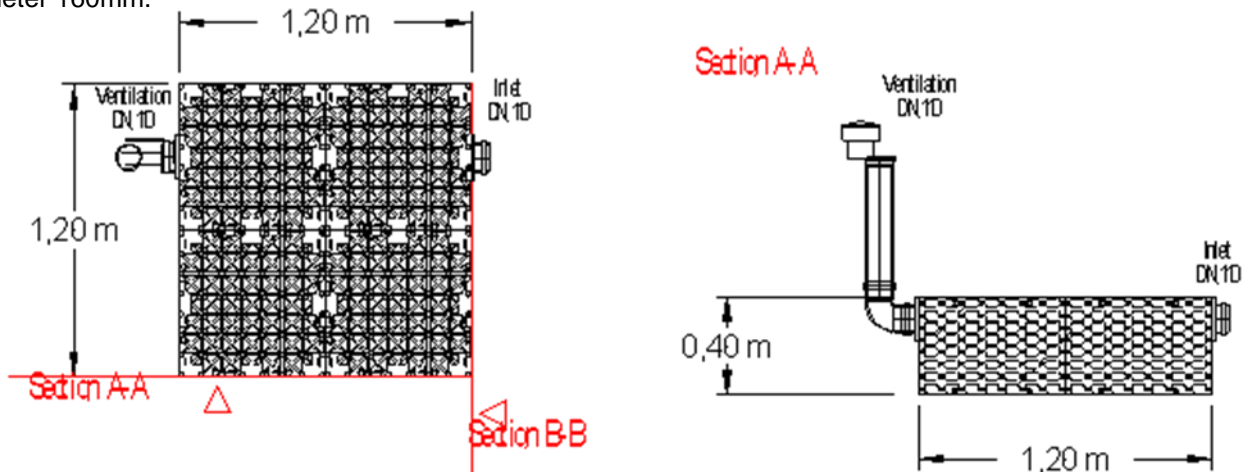
Description	Order No.	Material	Constructive height [mm]	Width [mm]	kg/unit
MEA V-Box Modul A 300	010140648	PP	400	1200	19,00

## MEA V-BOX overflow/ ventilation

Description	Order No.	DN [mm]	kg/unit
MEA V-BOX A 300 overflow/ventillation	010140656	110	0,45

## MEA V-BOX MODULE B 600, GROSS VOLUMEN 576 LITER

Static optimized and high durable infiltration/storage system made of Polypropylene (PP) according to specification in grid construction for decentral, close to the surface infiltration and storage of rainwater. Optimized statics 165 load stamps / 1 m<sup>2</sup> base/surface for defined vertical loads and system functionality. Bursting strength > 500 kN/m<sup>2</sup>, car passable/SLW 60 from 80 cm with suitable soil cover. Long-time durability (>= 50 Years), storage coefficient: >95%. The system is in all directions and in all 3 dimensions easy flow through. With internal - inspection- and cleaning channel diameter 180mm and connection facility for discharge and outlet pipes of diameter 160mm.



### MEA V-BOX Module B 600 infiltration system, completely pre-assembled W 1,20m x H 0,40m x L 1,20m

Description	Order No.	Material	Constructive height [mm]	Width [mm]	kg/unit
MEA V-BOX Module B 600 coated with geotextile and connection DN 160	010140650	PP	400	1200	38,00

### MEA V-BOX overflow/ ventillation

Description	Order No.	DN [mm]	kg/unit
MEA V-BOX B 600 overflow/ventillation	010140656	110	0,45

**MEA V-BOX MODUL C 900, GROSS VOLUME 864 LITER**

Static optimized and high durable infiltration/storage system made of Polypropylene (PP) according to specification in grid construction for decentral, close to the surface infiltration and storage of rainwater. Optimized statics 165 load stamps / 1 m<sup>2</sup> base/surface for defined vertical loads and system functionality. Bursting strength > 500 kN/m<sup>2</sup>, car passable/SLW 60 from 80 cm with suitable soil cover. Long-time durability (>= 50 Years), storage coefficient: >95%. The system is in all directions and in all 3 dimensions easy flow through. With internal - inspection- and cleaning channel diameter 180mm and connection facility for discharge and outlet pipes of diameter 160mm.

**MEA V-BOX Module C 900 infiltration system, completely pre-assembled W 1,20m x H 0,40m x L 1,80m**

Description	Order No.	Material	Constructive height [mm]	Width [mm]	kg/unit
MEA V-BOX Module C 900 coated with geotextile and connection DN 160	010140652	PP	400	1200	57,00

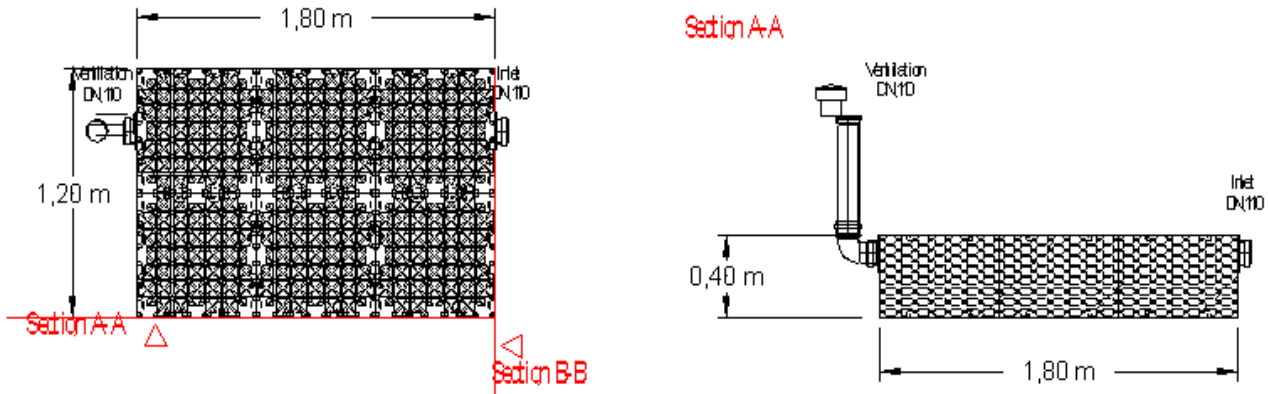
**MEA V-BOX overflow/ ventillation**

Description	Order No.	DN [mm]	kg/unit
MEA V-BOX C 900 overflow/ventillation	010140656	110	0,45

## MEA V-BOX MODULE D 1200, GROSS VOLUME 1154 LITER

### MEA V-BOX Modul D 1200

Static optimized and high durable infiltration/storage system made of Polypropylene (PP) according to specification in grid construction for decentral, close to the surface infiltration and storage of rainwater. Optimized statics 165 load stamps / 1 m<sup>2</sup> base/surface for defined vertical loads and system functionality. Bursting strength > 500 kN/m<sup>2</sup>, car passable/SLW 60 from 80 cm with suitable soil cover. Long-time durability (>= 50 Years), storage coefficient: >95%. The system is in all directions and in all 3 dimensions easy flow through. With internal - inspection- and cleaning channel diameter 180mm and connection facility for discharge and outlet pipes of diameter 160mm.

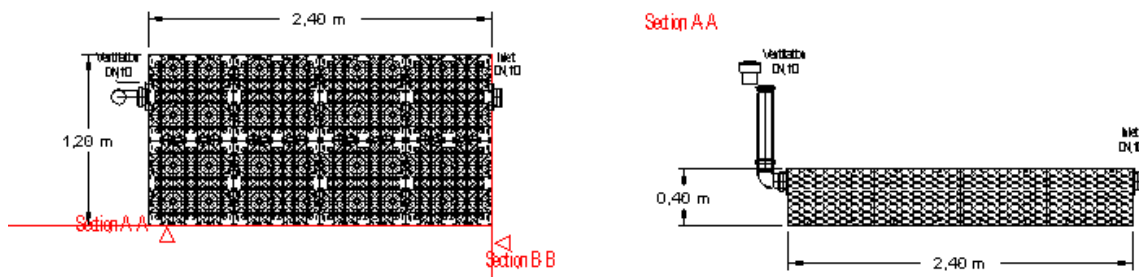


### MEA V-BOX Module D 1200 infiltration system, completely pre-assembled B 1200 mm x H 400 mm x L 2400 mm

Description	Order No.	Material	Constructive height [mm]	Width [mm]	kg/unit
MEA V-Box Modul D 1200	010140654	PP	400	1200	76,00

### MEA V-BOX overflow/ ventilation

Description	Order No.	DN [mm]	kg/unit
MEA V-BOX A 300 overflow/ventillation	010140656	110	0,45



This edition of the technical data sheet shall be valid from November 2020 until a revised version is published and replaces any previous publications. The current version is available for download at [www.mea-group.com](http://www.mea-group.com).

MEA Bautechnik GmbH  
 Business Unit MEA Water Management  
 Sudetenstraße 1  
 86551 Aichach  
 Tel.: +49 (0) 82 51. 91 0  
 Fax: +49 (0) 82 51. 91 13 06  
 E-Mail: [info@mea-group.com](mailto:info@mea-group.com)  
[www.mea-group.com](http://www.mea-group.com)