

ECHO 7000 Series ACCESS PANELS



For all bespoke requirements, our technical team will assist you to determine the correct specification and dimensions for your project.

+44(0) 1827 719 051

technical@profabaccess.com

A discreet ceiling access panel with a good performance acoustic rating, typically specified for high end residential and hotel construction projects.

Profab Access' ECHO 7000 Series range of hinged access panels provides regular access into jointless plasterboard or plaster ceiling systems where access to mechanical and electrical services is required. This product has a standard acoustic rating of 21 dB, but can be upgraded to achieve an acoustic rating of 33dB with a budget lock. If specified with a push catch lock for a seamless aesthetic finish an upgraded acoustic rating of 31 dB or 34dB can be achieved.

» BENEFITS

- Simple means to provide horizontal ceiling access to building services
- Clean, discreet design with flush metal door for an aesthetic finish
- Supplied with concealed locks or push catch operation
- Acoustic shielding of 21 dB as standard with options to upgrade to 31 dB, 33 dB or 34 dB
- Single, double or multi-leaf door configurations
- Frequently specified in high end residential and hotel projects
- Fully recyclable at end of life



SAFE ACCESS ALL AREAS

» DOOR CONFIGURATIONS

Construction

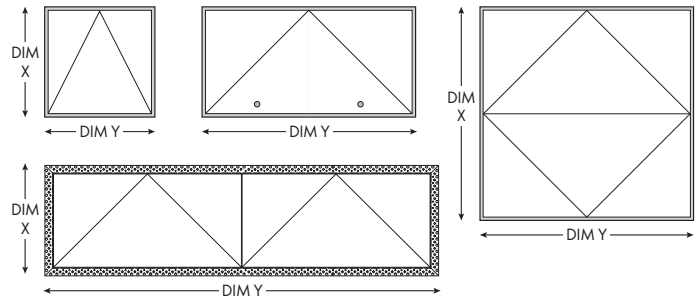
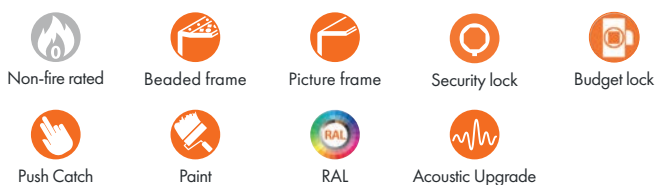
- Manufactured to order
- 1.2 mm frame and 0.9 mm flush door tray in electro-galvanised mild steel
- Four sided factory welded, metal frame to specified sizes
- Light weight door: 12kg/m²
- With frame: 1.3kg/linear meter
- Rockwool core door leaf
- Frame fitted with rubber, compressible gasket to all sides
- Door tray fitted with concealed, fully adjustable hinges
- Fitted with a push catch lock as standard for a discreet, lockless finish
- A constant gap is maintained between the door and frame by the dome location system
- Door opens towards the user
- Single (SD), double (DD) or multi-leaf door continuous access (CA) configurations
- Fully powder coated matt RAL 9010, suitable for finishing on site
- CNC manufactured in the UK to ISO 9001:2015 and ISO 14001:2015

Performance

- 21 dB acoustic shielded as standard BS EN ISO 140-3:1995, BS 2750: Part 3: 1995
- Ideal for high end residential and hotel projects
- All panels are for internal use and only in areas of normal humidity
- The panel is only for installation in plaster and plasterboard ceiling systems

Options

- Concealed beaded frame (BF) for plaster finishing or a visible 25mm picture frame (PF) for retro-fitting to suit finishing requirements
- Acoustic upgrades available on a metal door up to 31 dB, 33dB or 34dB depending on options chosen
- Concealed budget lock (BL), security lock (SL) or tamper proof option
- White, round removable cap on the door face conceals the keyhole or an integral chrome escutcheon is available for the security lock (SL) option
- Plasterboard door option
- Other RAL paint colours and finishes are available
- Multiple options are available on this product, contact Profab Access' technical team for details



Single door (SD), double door (DD) or continuous access (CA) options
Budget lock (BL), security lock (SL) or push catch lock (PC) options

» MANUFACTURED TO ORDER

Our ECHO 7000 Series access panels can be manufactured in sizes from 200 x 200 mm minimum in a single door (SD) configuration.

There is effectively no upper size limit as larger panels can be manufactured as double door (DD) or multiple door continuous access (CA).

Contact Profab Access' technical team for details.

All of our access panels are designed and manufactured to order in our UK factory, to meet your individual project requirements.

» TYPICAL SIZES AND WEIGHTS

Dimension X (mm)	Dimension Y (mm)	Metal Door Weight (Kgs)	Plasterboard Door Weight (Kgs)
300	300	3	4
300	600	5	7
450	450	6	8
600	600	10	13
600	900	15	20
900	900	25	30
600	1200	20	26
1200	1200	40	n/a

Size Specification

- All dimensions are in mm
- All access panels hinge along dimension Y
- All panels are single door (SD) except the 1200 x 1200 mm, which is a double door unit
- X and Y dimensions are outside rear frame
- Overall frame depth is 86 mm
- Structural opening required for installation is (X+5) x (Y+5)

» ACOUSTIC UPGRADES

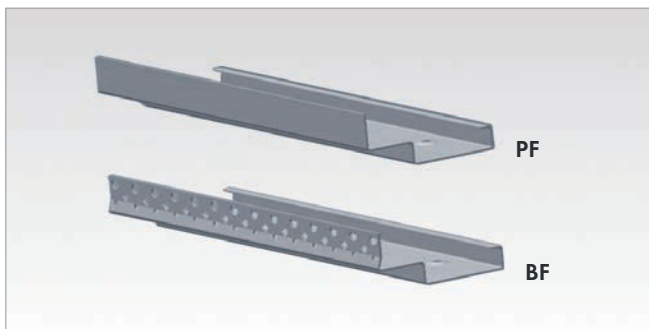
Acoustic performance access panels are available through many of Profab's access panel ranges with additional upgrades to acoustic shielding possible on selected series.

PRIMA 1000*, INTEGRA 4000*, ECHO 7000*, VISION 8000 and PURA 9000*

*Upgrades available within this series

For more information please visit: www.profabaccess.com

» FRAME PROFILES



Choice of frame profiles to suit application:

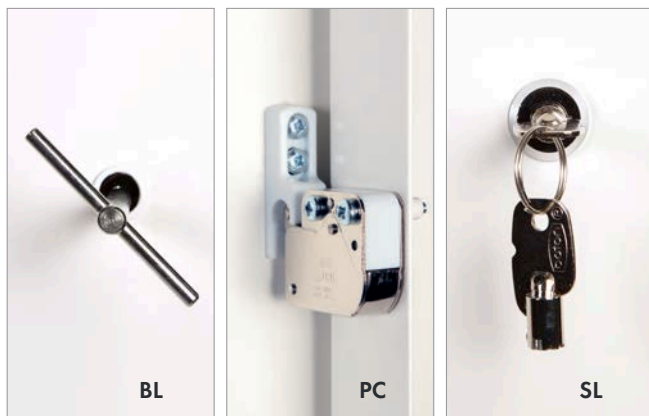
PF: PICTURE FRAME

A visible, flush faced frame where the panel is being installed after all finishing work has been completed.

BF: BEADED FRAME

A simulated dry wall edge bead profile where the panel is being installed prior to any tape and jointing or skim-coat plastering.

» MULTI-POINT LOCKING OPTIONS



BL: BUDGET LOCK

Operated with an 8 mm T-bar key to unlatch and pull the door leaf open. Locking assembly engages horizontally in one direction.

PC: PUSH CATCH LOCK

A touch opening solution for a discrete and streamlined finish. Not a secured option.

SL: SECURITY LOCK

A single point locking mechanism with a quarter-turn camlock operated by a castellated key.

» INSTALLATION

Apertures formed in dry lined walls and ceilings should be suitably formed and adequately supported to take the additional weight and operating forces exerted during operation. Typical fixing details are shown in this datasheet.

» OPERATION

Operated from the front face, the push catch lock (PC) is lock free, the budget lock (BL) is concealed by a white plastic bung and the security lock (SL) has an integral, visible chrome escutcheon to accept the key. Additional keys are available from Profab Access.



For more information about our full range of non-fire rated and third party CERTIFIRE fire rated access panels and riser doors visit:

www.profabaccess.com

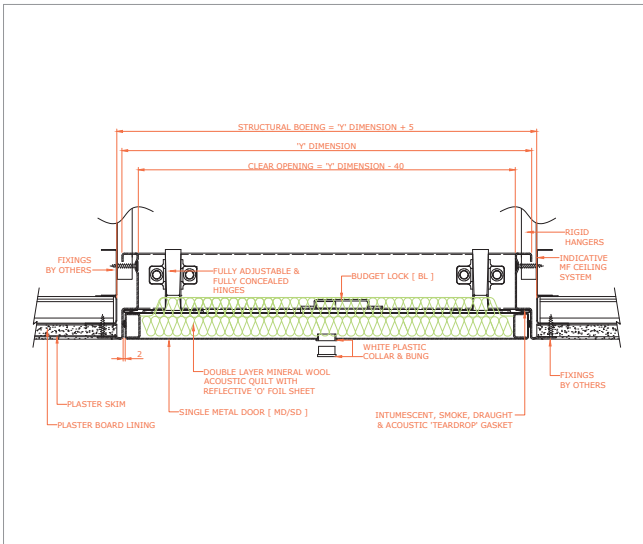
Our in-house manufacturing enables us to offer full flexibility in product design for projects that need to meet specific design criteria



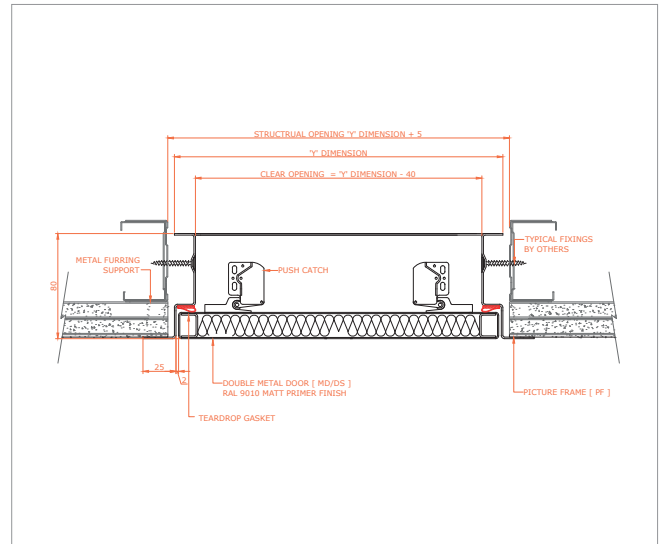
The Profab Access ECHO 7000 Series range of access panels is available to download now as BIM objects for use in your current and future projects



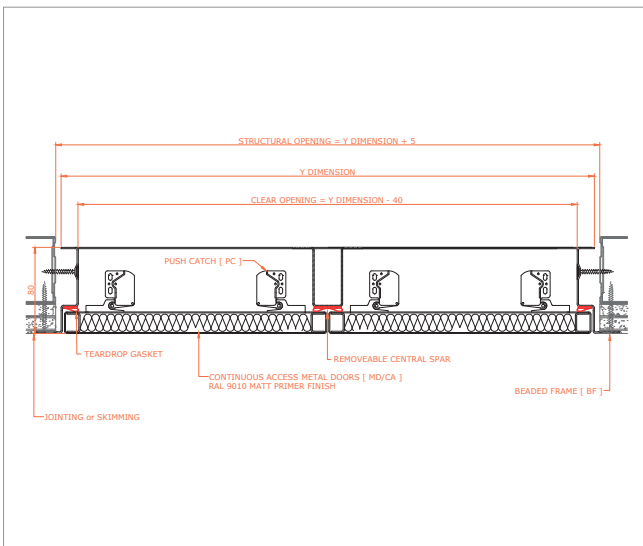
CAD DRAWINGS



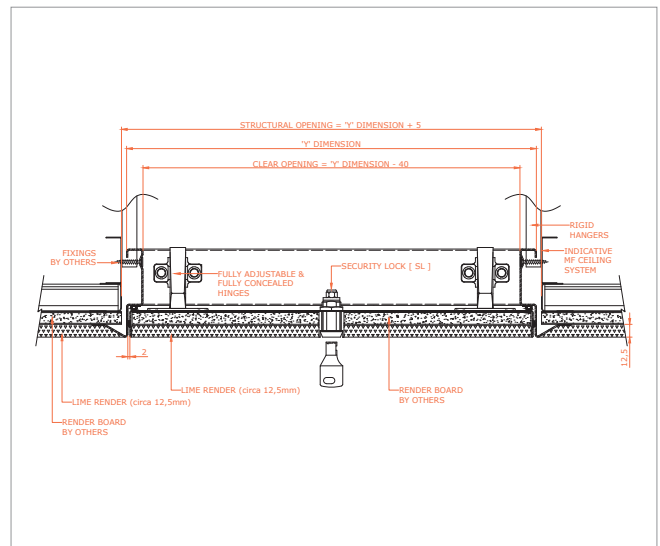
Non-fire rated, beaded frame, metal door, budget lock, single door, 34dB acoustic upgrade 7000-NFR-BF-MD-BL-SD-34dB



Non-fire rated, picture frame, metal door, push catch lock, double door 7000-NFR-PF-MD-PC-DD



Non-fire rated, beaded frame, metal door, push catch lock, continuous access/multi leaf door 7000-NFR-BF-MD-PC-CA



Non-fire rated, deep plaster frame, plasterboard door, security lock, single door 7000-NFR-DPF-PD-SL-SD

CAD files for all product variants are available – please contact: technical@profabaccess.com

All of our digital resources can be downloaded from: www.profabaccess.com

Profab Access reserve the right to amend any of our published information and specifications deemed necessary as part of our continuous product development and improvement policy, without prior notice.

CONTACT US

Sales Enquiries

+44(0) 1827 718 222

sales@profabaccess.com

www.profabaccess.com

Technical Enquiries

+44(0) 1827 719 051

technical@profabaccess.com



Riversdale House
Units C-D Riversdale Road
Carlyon Road Industrial Estate
Atherstone
Warwickshire CV9 1FA
United Kingdom

: [profab-access-ltd](https://www.linkedin.com/company/profab-access-ltd)

: [@accesspanels](https://twitter.com/accesspanels)

: [profabaccesspanels](https://www.facebook.com/profabaccesspanels)

: profabaccess.com



FS668263

EMS668264

