



# PRODUCT DATASHEET

## E2 Urban Easy

This internal multiple letterbox can be manufactured in banks of 3, 4, 5, 6. They can be also assembled into a larger banks.



**Material:** High quality galvanised steel.

**Coating:** Long lasting powder coating applied through thermosetting process.

**Security:**

- ▶ Euro-Locks secure cylinder cam lock
- ▶ 2 keys per letterbox
- ▶ Master keys available on request

**Numbering options:**

- ▶ Etched Number Labels
- ▶ Vinyl Numbers

**Colours available:**

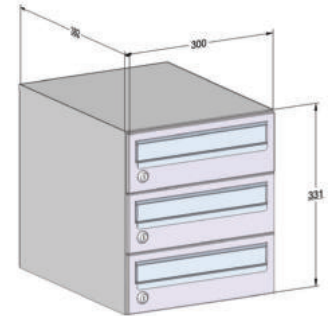
- ▶ Light grey- RAL 7040
- ▶ Dark grey- RAL 7015
- ▶ Graphite- RAL 7016
- ▶ White – RAL 9016
- ▶ Black- RAL 9005
- ▶ Brown- RAL 1015
- ▶ Beige- RAL 1015
- ▶ Silver 9006
- ▶ Silver 9007
- ▶ Mix & match option available.
- ▶ Non-standard colours available on request.

**After sales service:**

- ▶ 2 years warranty
- ▶ Replacement parts available (doors, letter flaps, etc) with and after purchase
- ▶ Replacement locks and keys available with and after purchase

**Standard and compliance:**

- ▶ Letterbox made in Europe by a manufacturer certified with ISO 9001 standard
- ▶ European regulaton EN13724 compliant
- ▶ Correspondence format: A4 / C4



|                          | Bank of 3 | Bank of 4 | Bank of 5 | Bank of 6 |
|--------------------------|-----------|-----------|-----------|-----------|
| <b>Height (mm):</b>      | 331       | 440       | 550       | 659       |
| <b>Width (mm):</b>       | 300       | 300       | 300       | 300       |
| <b>Depth (mm):</b>       | 382       | 382       | 382       | 382       |
| <b>Letter slot (mm):</b> | 260 x 30  | 260 x 30  | 260 x 30  | 260 x 30  |

### Options of Installation

- ▶▶ Wall Mounted Internal
- ▶▶ Recess Mounted Internal
- ▶▶ Free Standing Internal

Letterboxes can be configured and assembled in larger sets limited only by logistic/shipping constrains. Please allow 2% tolerance on the above dimensions for large banks of letterboxes