



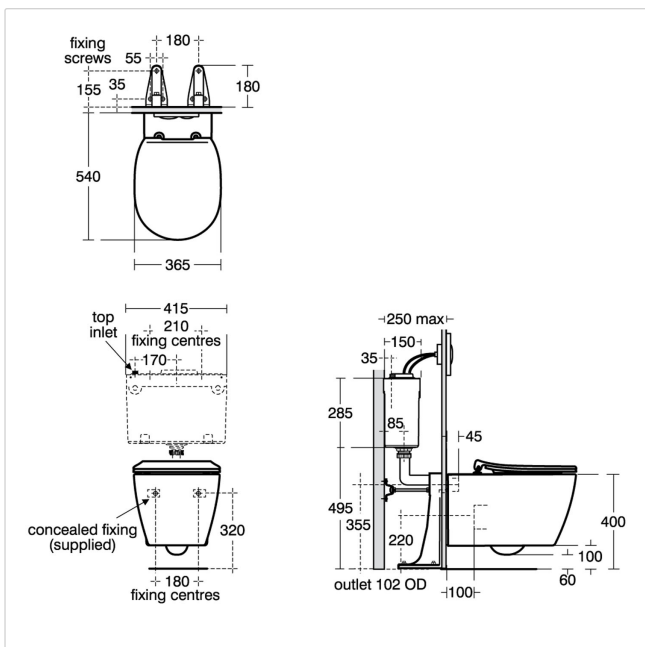
Concept Wall Mounted WC Pan With Aquablade Technology

Illustrated

- E0473** Concept wall mounted wc pan with Aquablade technology
- S3643** Conceala 2 cistern 4.5/3 or 4/2.6 litre dual flush valve side supply and internal overflow, alternative height plastic flushbends, no flushplate
- E7726** Concept, slim seat and cover, slow close
- E4437** Contemporary flush plate dual flush, Ideal Standard logo for Conceala 2 cisterns
- E0060** Support frame with bolts for wall hung WC pans

Configuration options

- S3624** Conceala 2 cistern 6/4 litre dual flush valve top inlet and internal overflow, alternative height plastic flushbends
- S3640** Conceala 2 cistern 4.5 litre single flush valve side supply and internal overflow, alternative height plastic flushbends
- S4270** Conceala 2 cistern 4.5 litre single flush valve delay fill bottom supply and internal overflow, alternative height plastic flushbends
- S3620** Conceala 2 cistern 4.5 or 6 litre single flush syphon side supply and internal overflow, alternative height plastic flushbends, no lever
- S3621** Conceala 2 cistern 4.5 or 6 litre single flush syphon bottom supply and internal overflow, alternative height plastic flushbends no lever
- S3599** Sensorflow 21 WC flushing device, panel mounted sensor complete with concealed valve and 4 or 4.5 litre duct cistern
- S3604** Sensorflow 21 WC flushing device, panel mounted sensor complete with concealed valve and 4 or 4.5 litre delay fill duct cistern
- S3636** Conceala 2 cistern delay fill 4.5/3 litre dual flush valve bottom supply and internal overflow, alternative height plastic flushbends, no flushplate
- E7725** Concept, slim seat and cover
- E4465** Karisma flush plate dual flush, branded for Conceala 2 cisterns, chrome
- S4310** Panekta outlet Connector, plain pattern to convert horizontal outlet WCs to S or turned P trap



Material

Vitreous China

Weights

- E0473 22.00KG
- S3643 2.60KG
- E7726 2.10KG
- E4437 0.46KG
- E0060 4.28KG

Colours

White (01)

Standards

Vitreous china to BS 3402, BS EN 997 & BS EN 33

Special Notes

E0060 support brackets secured to floor within the duct, WC fixed to support brackets with bolts supplied and Hidden fixation set provided. Joint sealed with waterproof sealant (not supplied). Can be used with furniture WC units, support brackets E0060 required.

Designer

Robin Levien, RDI

Frequently used applications

- Education
- General Healthcare
- Hotels
- Office



Email: info@idealspec.co.uk
 Tel: 0870 122 8822
 Fax: 0870 122 8282
 Web: www.idealspec.co.uk

Pubs and Clubs
Retail

Residential
Sports and Leisure

Features

Water Saving

Accreditations

Water Label
WTL