



### Description

The Delta Foul V3 Packaged Pumping Station has been specifically designed to collect foul and/or grey water from basements, below ground structures and ground floor extensions.

Superior design, precision manufacturing and high-quality assurance has made Delta a trusted name for package pump stations. The robust and reliable Delta Foul V3 is an exceptionally popular choice with waterproofing professionals due to its generous sized motor, thermal overload protection and ease of installation. The powerful vortex pump offers innovative design and advanced technology making it extremely dependable even when subjected to continuous use (subject to correct installation).

The Delta Foul V3 chamber is manufactured from virgin tank grade HDPE and is capable of withstanding hydrostatic forces encountered in applications with high water tables.

The Delta Foul V3 includes a chamber, all internal pipework, and a powerful Delta Foul V3 Submersible Pump.

The Delta Foul V3 Submersible Pump is not suitable for collecting ground water from a cavity drained system.

### Features

- Designed to collect foul water from water closets and grey water from hand basins, showers, and baths
- Chamber manufactured from superior virgin tank grade HDPE enabling the Delta Foul V3 to withstand hydrostatic forces encountered in applications with high water tables
- All internal pipework is pre-assembled within chamber including non-return valve
- Quick and simple installation – requires only connection to one union to complete all internal pipework
- Supplied with 1 x Delta Foul V3 Submersible Pump
- Maximum flow rate of Delta Foul V3 Submersible Pump up to 6.3 L/s
- For kitchen applications, we recommend fitting a grease trap prior to the pump station

### Specification

- NBS Specification R18 (Clause 310) Pumping Stations and Pressure Pipelines
- BS EN 12050-3:2015 Wastewater lifting plants for buildings and sites. Lifting plants for limited applications.

### Associated products

- Battery backup systems
- High-level alarms
- Remote monitoring
- External pipework
- Pumps
- Access covers
- Additional inlets

### Product details

DMS 165



# PRODUCT DATA SHEET

## Delta Foul V3 Packaged Pump Station

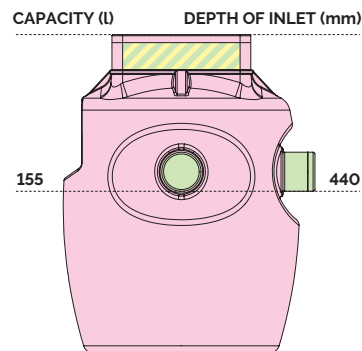
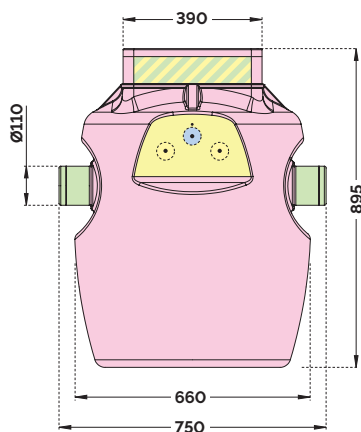
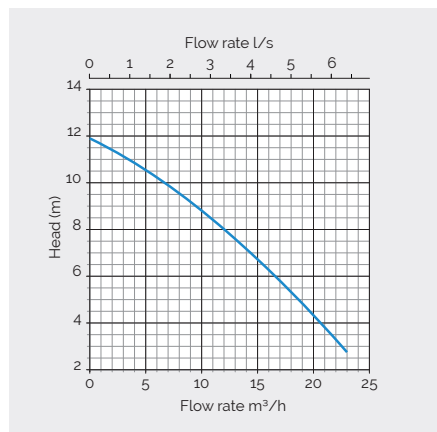
### Technical data

#### PUMP SPECIFICATIONS

Pump type	Foul V3
Pump type	Vortex
Control	Automatic
Power supply	230 VAC
Rated current	6.0 A
Motor rating (P2)	750 W
Revs per min.	2900 rpm
Discharge size	2"
Free passage	45 mm
Max. vertical	12 m
Max. flow rate	6.3 L/s
Max liquid temp.	<40 °C
Cable length	10 m
Weight	23 kg



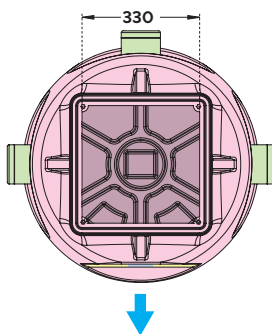
Foul V3 Submersible Pump



All dimensions are in millimetres (mm) and are to the invert level (bottom of pipe). All capacities are in litres (l).

#### CHAMBER SPECIFICATIONS

Chamber	Foul V3 chamber
Material	Tank-grade HDPE
Volume below inlets	155 litres
Clear opening	330 mm x 330 mm
Fixed inlets	3 x 110 mm
Discharge	2" BSP Class E
Cable duct	50 mm
Vent duct	50 mm



#### Positioning connections

Discharge only
Inlet location allowed
Inlet, cable ducts or vent allowed
Cable ducts and vents only
No drilling allowed

### Other information

All data and information contained in these Product/Technical Data Sheets is up-to-date and correct as at the date of issue. The information given is suggested as guidance and should only be used for evaluating your specific application. Delta Membrane Systems Limited cannot control or anticipate the conditions under which this product may be used, each user should review the information in specific context of the planned use. The information contained in these Product/Technical Data Sheets should not be considered a warranty, expressed, or implied, including but not limited to a warranty of merchantability or fitness for a particular purpose. In no event shall Delta Membrane Systems Limited be liable for any incidental or consequential damages resulting from the use, misuse, or inability to use the product. This exclusion applies regardless of whether such damages are sought based on breach of warranty, breach of contract, negligence, strict liability in tort, or any other legal theory. When in doubt, contact Delta's Technical Team on 01992 523 523.