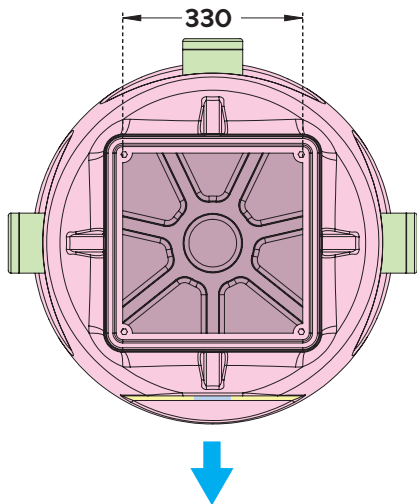
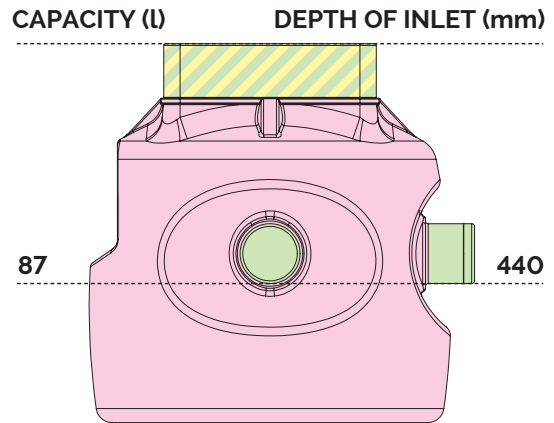
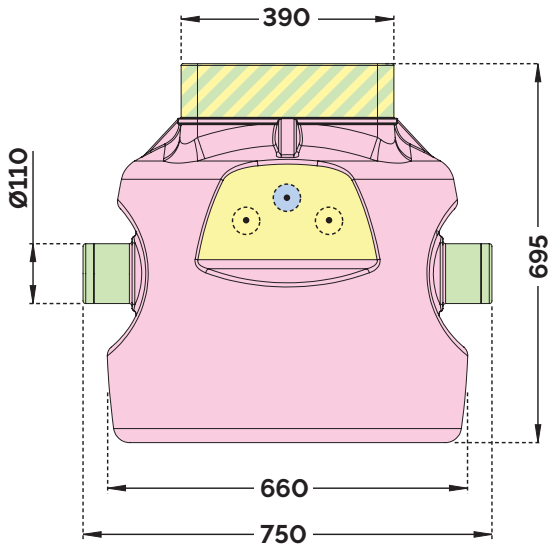


FABRICATION SHEET

Delta Dual V3/4/6 Sump



All dimensions are in millimetres (mm) and are to the invert level (bottom of pipe). All capacities are in litres (l).
When positioning the inlet please take into account the diameter of the pipe.



Positioning connections

Discharge only
Inlet location allowed
Inlet, cable ducts or vent allowed
Cable ducts and vents only
No drilling allowed