

# CROWN

STEEL REPLACEMENT  
WINDOWS



THIS HOUSE WAS BUILT BY  
J. S. DAVEN, 1875-80.  
RENOVATED BY  
TECHNAL WINDOW COMPANY  
25th MAY 1998



IMAGINE WHAT'S NEXT

**TECHNAL**











# CROWN

## / STEEL REPLACEMENT WINDOWS

Crown Steel Replacement windows are ideal for both new build and renovation projects where slim sightlines are required.

Crown Steel Replacement windows comfortably exceed the current requirements of Part L 2016 of the Building Regulations for both thermal insulation and air permeability and has been designed to be compliant with future anticipated changes by being able to achieve WER A rating. Crown Steel Replacement is also compliant with current PAS 24.

- External Bead Glazed As Standard
- Internal Glazed Vent Option
- WER to 'A' Rated
- 1.5W/m<sup>2</sup>K U Value
- 24mm and 28mm glazing
- Suited handle range
- Casement and fixed lights
- Dual Colour Option
- Outer frame and vent sightline less than 60mm



# CROWN

## / HARDWARE OPTIONS

Silver



Matt black  
Powder coated



Gold



Pure white  
Powder coated



Polished  
Chrome



Polished  
Gold



Monkey Tail



Aluminium lockable window handle with 90° stop position, for espagnolette window locks. The inline lever is fixed to the backplate. The cranked lever is also fixed to the backplate and by design is right handed.

## SPECIFICATION

### WEATHER PERFORMANCE

	AIR PERMEABILITY	WATER TIGHTNESS	WIND RESISTANCE
OPENING LIGHTS	Class 3 600 Pa	Class 9a 600 Pa	Class B5 2000 Pa

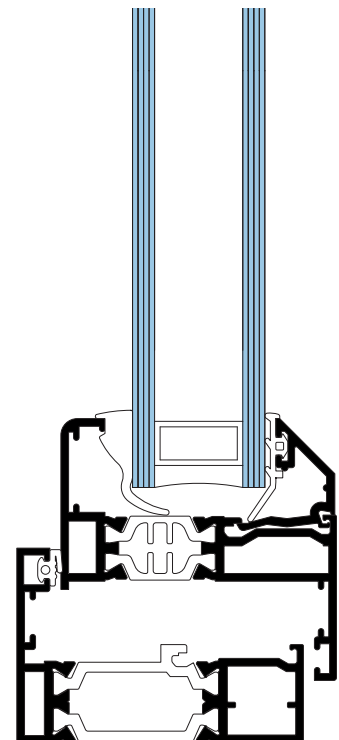
### SIZE LIMITATIONS

#### TOP HUNG CASEMENT

Stay Size	6"	8"	10"	12"	16"	20"	24"
Max Width	1200	1200	1200	1200	1200	1200	1200
Max Height	336	386	436	586	816	1136	1336
Max Weight	10kg	12kg	16kg	20kg	21kg	26kg	40kg
Min Width	386	386	386	386	386	386	386
Min Height	236	236	311	386	536	736	886

#### SIDE HUNG CASEMENT

Stay Size	8"	12"	16"
Max Width	436	636	736
Max Height	1336	1336	1336
Max Weight	18kg	22kg	24kg
Min Width	236	336	436
Min Height	386	386	386





IMAGINE WHAT'S NEXT

Hydro Building Systems UK Ltd  
Severn Drive, Tewkesbury  
Gloucestershire. GL20 8SF  
Tel: 01684 853500 - [www.technal.co.uk](http://www.technal.co.uk)

By  Hydro