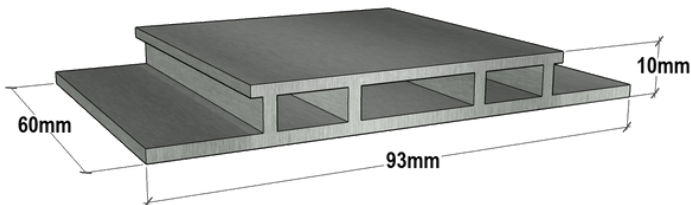
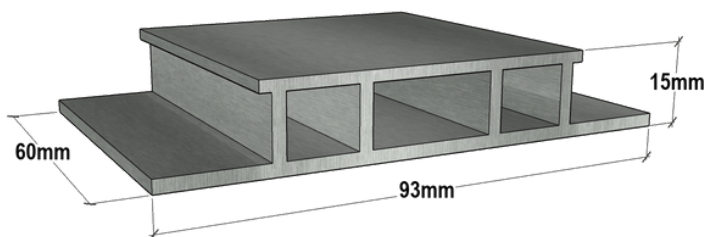
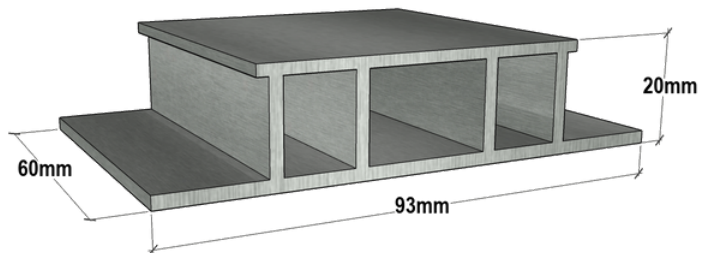
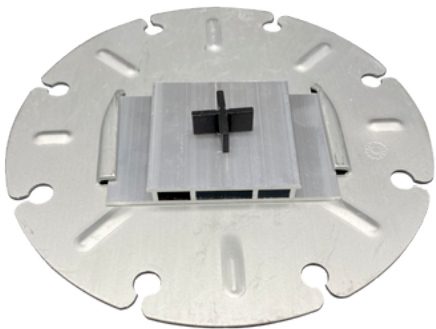


Operations & Maintenance Manual

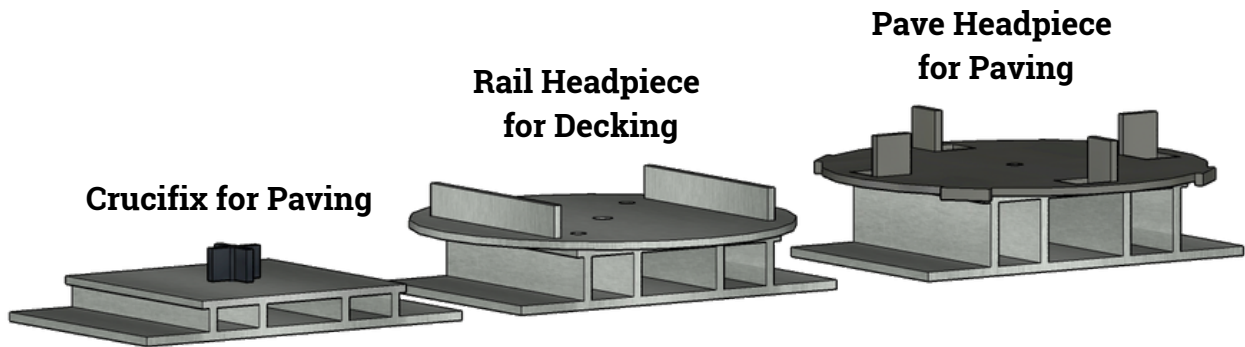
Class A Fixed Height Pedestals



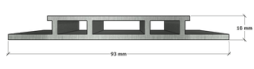
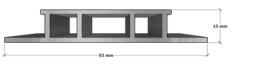

Class A1 Fire Rated Aluminium 6063 T6

PRODUCT DESCRIPTION

Wallbarn Class A1 Aluminium Fixed Height Pedestals are made from high-grade extruded aluminium. They were designed by Wallbarn and manufactured in the United Kingdom. They are suited to both paving and decking applications when used with applicable headpieces.

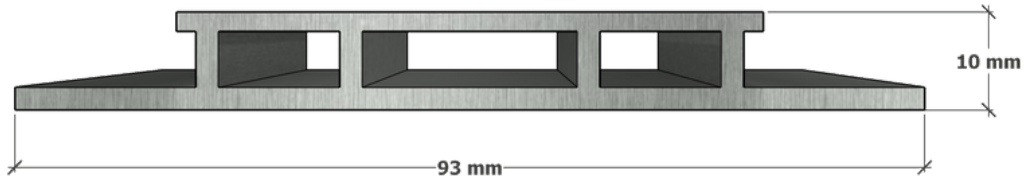


PHYSICAL AND CHEMICAL PROPERTIES

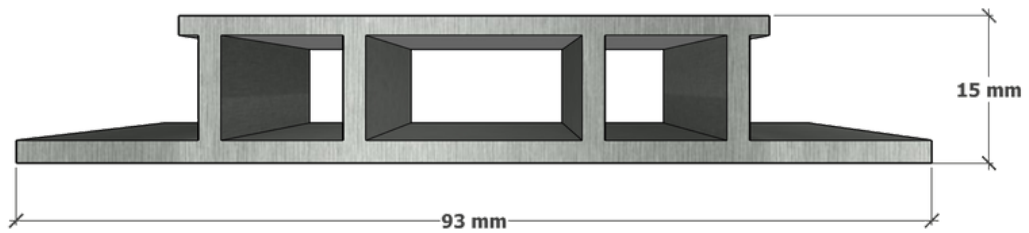
	10mm Fixed Height	15mm Fixed Height	20mm Fixed Height
Profile			
Material	Aluminium 6063 T6	Aluminium 6063 T6	Aluminium 6063 T6
Weight	0.062kgs	0.068kgs	0.074kgs
Height	10mm	15mm	20mm
Width	93mm	93mm	93mm
Length	60mm	60mm	60mm
Fire Classification	Class A1 BS EN 13501-1 2018		

Aluminium Fixed Height Profiles

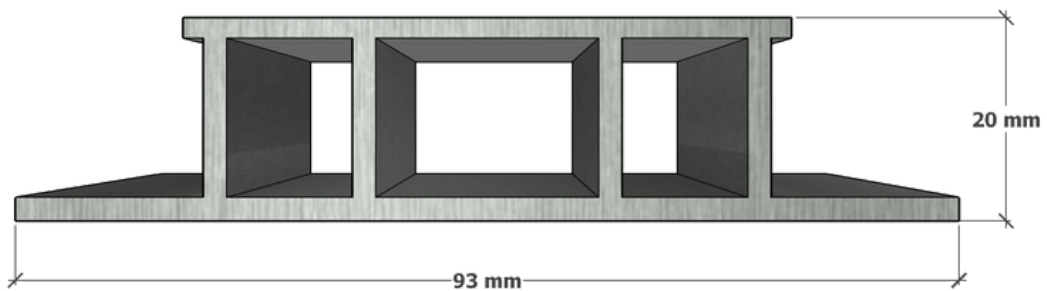
10mm



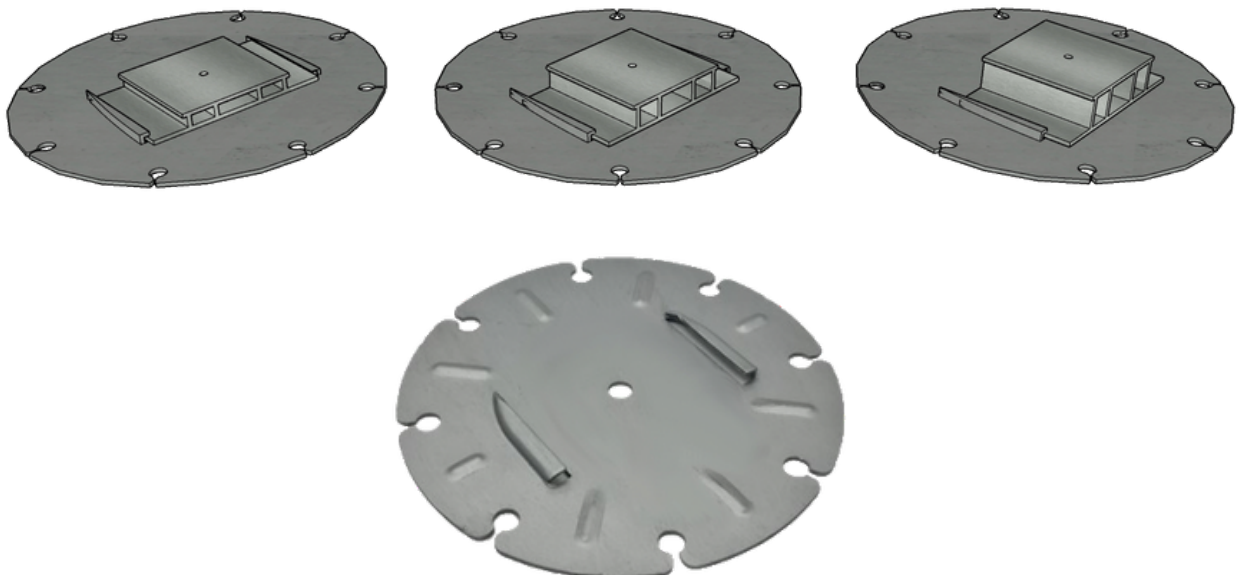
15mm



20mm



Optional Spreader Plate (185mm Diameter)





PRODUCT INSTALLATION

The Wallbarn Fixed Height Pedestal is designed for decking and paving applications, such as flat roofs, podium decks, balconies, terraces, and walkways. They are ideal where either paving or decking needs to be lifted off the subfloor to allow for better drainage.

To minimise galvanic corrosion, we recommend using high-grade stainless steel fixings. Wallbarn offers various options for both fixings and screws that are suitable for most applications.

These pedestals are suitable for hard sub floors such as concrete. For vulnerable sub floors such as insulation, the Wallbarn Spreader Plate is available to reduce point loading and disperse weight over 185mm diameter.

Before installation, it is recommended to store away in boxes they came in to reduce the chance of damaging the extruded profiles.

When installing onto structural decks, ensure that the surface is strong enough to support the weight of the system. Additionally, it is important to adequately protect waterproofing membranes before installation to prevent point loading or puncturing of the membrane.

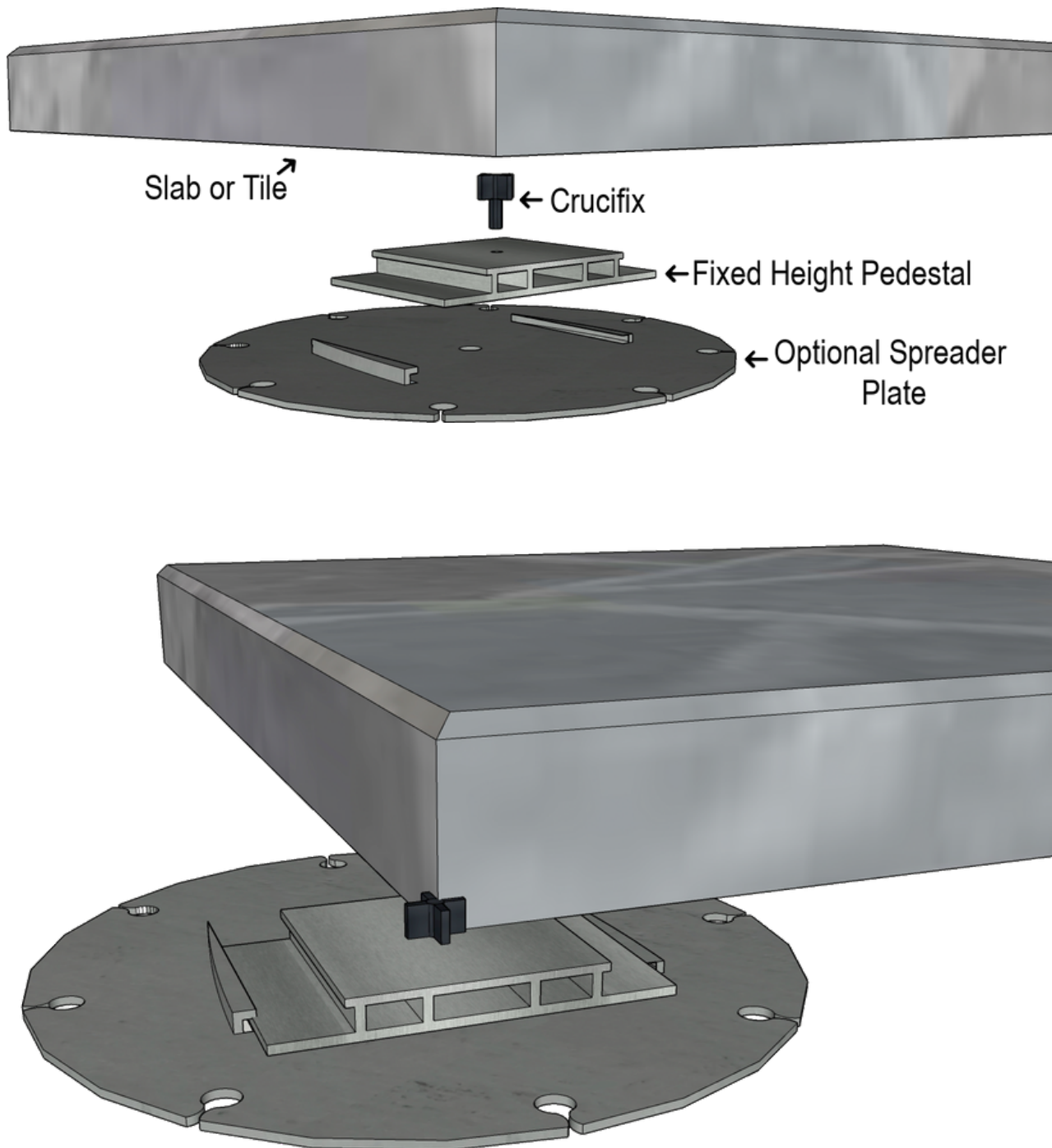
The spacing of these pedestals on the subfloor is based on varying factors, so it is best to speak to your Wallbarn representative to assist with calculating this.



PRODUCT INSTALLATION

With Crucifix for Paving

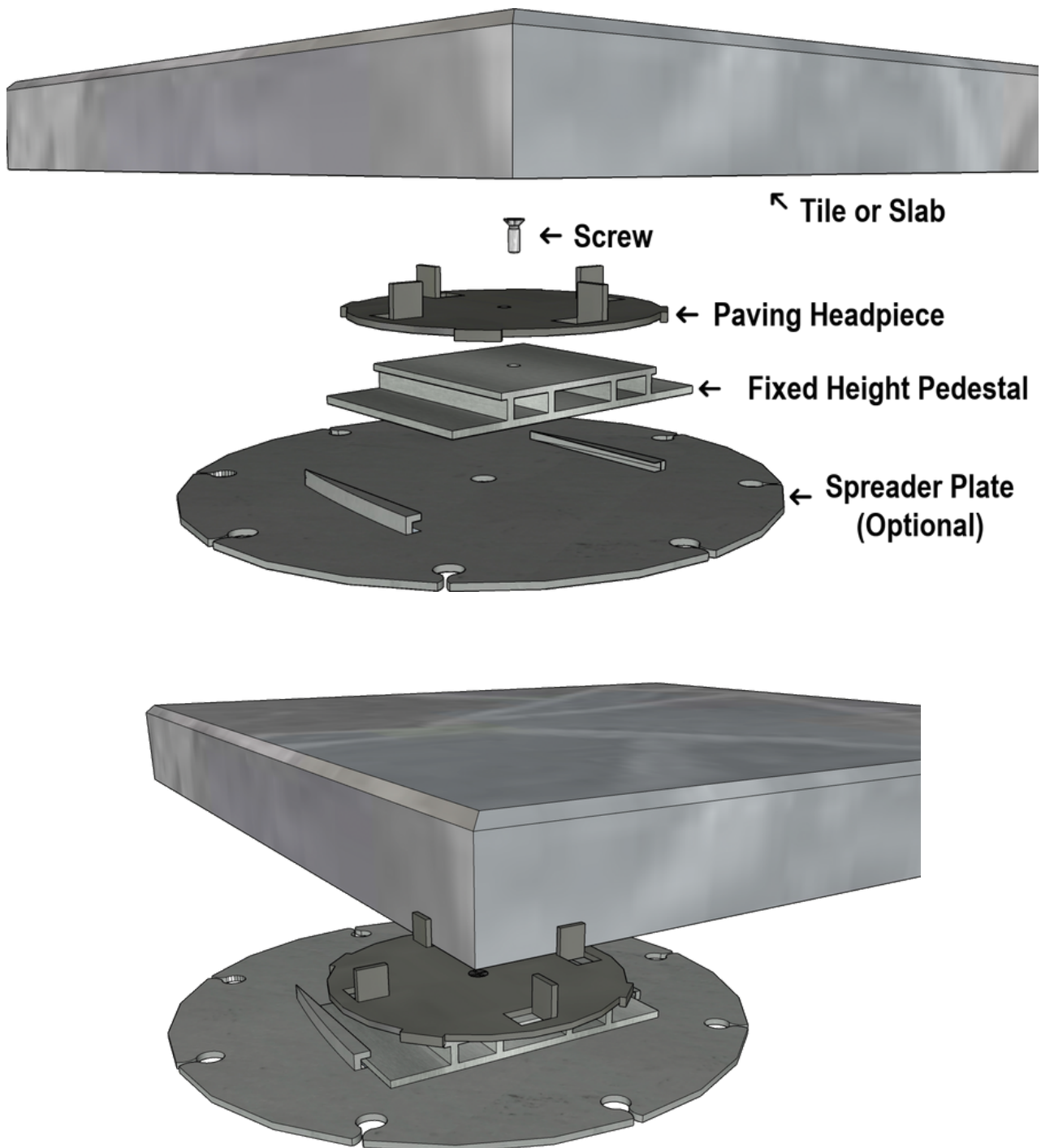
For paving applications there are two options. The standard and most cost effective is to use the drop in Crucifix which keeps tiles/slabs in place whilst also providing a drainage gap between the tile/slab.



PRODUCT INSTALLATION

With Paving Headpiece

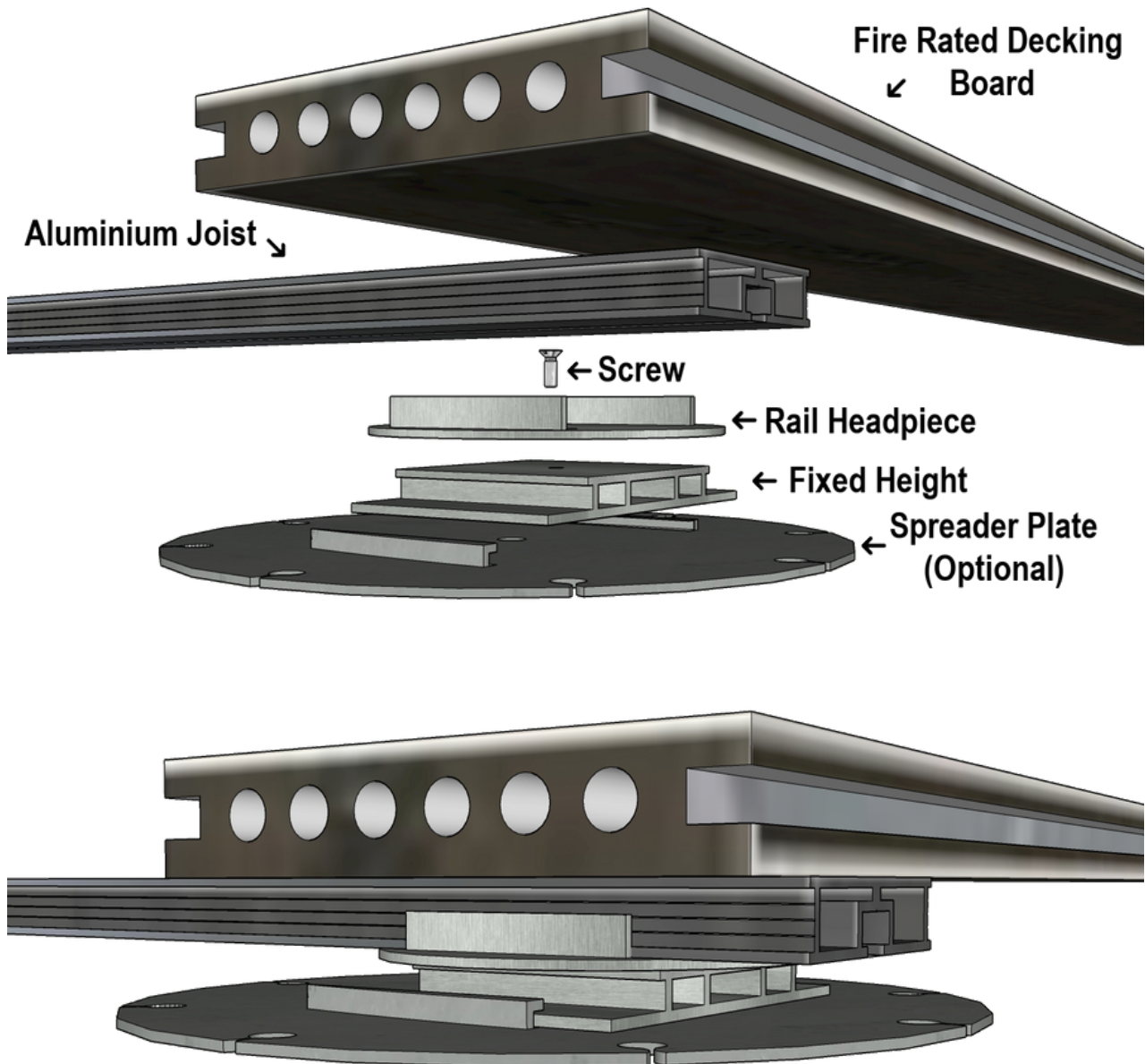
The Class A paving headpiece is also available and this is fitted to the pedestal with a single screw. This headpiece will add 3mm to the overall height of the system.



PRODUCT INSTALLATION

With Rail Headpiece

When using for decking applications, use the rail headpiece which can accommodate any of Wallbarn's aluminium joists or your own box rail/joist, provided the width does not exceed 60mm. This headpiece will add 3mm to the overall height of the system.





CUTTING AND DRILLING

For cutting the fixed height pedestals, it is recommended to use premium blades specifically designed to cut metal. This helps minimise sparks and reduces the risk of damaging the extruded profile of each Fixed Height Pedestal. This is especially applicable when working on top of insulation and waterproofing membranes. Also, note that damaged profiles may affect their ability to work seamlessly with our headpieces.

When cutting aluminium, it's important to take certain precautions to ensure safety and achieve accurate cuts. Here are some precautions to consider:

- **Personal Protective Equipment (PPE):** Wear appropriate PPE, including safety glasses or goggles, gloves, and a dust mask or respirator to protect your eyes, hands, and respiratory system from metal shavings and dust.
- **Use the Right Tools:** Ensure you have the correct tools for cutting aluminium, such as a mitre saw, circular saw, or a specialised aluminium-cutting saw blade. Using the proper tools will help achieve clean and precise cuts.
- **Secure the Workpiece:** Securely clamp the aluminium workpiece to prevent it from moving or vibrating during the cutting process. This will ensure stability and reduce the risk of accidents or inaccurate cuts.
- **Cutting Speed and Pressure:** Maintain a steady cutting speed and avoid applying excessive force or pressure. Let the cutting blade do the work and allow it to cut through the aluminium at a controlled pace. Applying too much pressure can lead to rough cuts or blade damage.
- **Clear the Work Area:** Prior to cutting any metal, it is important to clear the work area of clutter and unnecessary materials. When metal is being cut, sparks can be generated, so it is crucial to have a clean area free of debris to ensure fire safety. By removing any potential obstructions or hazards, you can create a safer environment during the cutting process.
- **Proper Waste Disposal:** Collect and dispose of the aluminium shavings and waste material safely and appropriately. Aluminium shavings can be sharp and therefore have the potential to damage waterproofing membrane and/or insulation.

Always follow the manufacturer's guidelines and safety recommendations specific to the tools and equipment you are using. Additionally, consult local regulations and best practices for safe handling and disposal of aluminium waste.



PRODUCT PERFORMANCE

Wallbarn's Aluminium Fixed Height Pedestals, if well maintained are extremely long lasting with a product performance Limited Warranty of 15 years and a lifespan of up to 50 years. With care and attention, they can look and perform for many years beyond the warranty period. Please refer to the Limited Warranty details and conditions later in this manual.

The pedestals are designed to maintain their shape and structural integrity when installed correctly.

MAINTENANCE DETAILS

The pedestals have a relatively low maintenance requirement. In terms of their direct upkeep, there is not much that needs to be done. However, one critical aspect to consider is the proper functioning of the drainage system on the sub-deck where the pedestals are installed.

It is important to ensure that the area where the pedestals are placed does not accumulate standing water. If water pools or collects around the pedestals, it can lead to various issues. Standing water can potentially cause damage to the materials over time, such as rust or corrosion in the case of metallic components. It can also affect the stability and integrity of the overall structure.

To prevent such problems, regular checks and maintenance of the drainage system are necessary. This involves ensuring that the drainage channels or outlets are clear and unobstructed, allowing water to flow away efficiently. Clearing any debris or blockages from the drainage system will help to maintain proper water flow and prevent water from pooling around the pedestals.

By prioritising the maintenance of drainage in the area where the pedestals are installed, you can help ensure the longevity and optimal performance of the system. This proactive approach will minimise the risk of damage or deterioration caused by excessive water exposure and promote a healthier and more stable environment for the system.



HAZARDS IDENTIFICATION

The major hazards associated with these products are primarily physical, with a focus on manual handling. It is important to note that sparks can be generated during cutting processes.

When working with aluminium, it is recommended to use high-quality saws and drills to minimise the production of particles and sparks. Even though aluminium is relatively easy to cut, using appropriate tools will help reduce the risk of sparks. To ensure safety, it is essential to wear proper protective clothing and equipment when handling and cutting aluminium.

This includes full coverage eye protection, which is particularly important. By utilising the appropriate safety gear, you can mitigate the potential risks associated with handling and cutting aluminium.

FIRST-AID MEASURES

In case of cuts, it is important to thoroughly wash the wound with ample clean water. Afterward, it is advisable to seek immediate medical attention. Tetanus is a potential concern, so prompt medical evaluation is crucial.

If you experience skin, eye, or respiratory irritation, it is important to seek medical attention as soon as possible. This is especially necessary if you are experiencing any eye irritation.

Prompt medical evaluation will help address any potential issues and ensure appropriate treatment for the symptoms you are experiencing.

FIRE-FIGHTING MEASURES

Wallbarn Aluminium Fixed Height Pedestals achieve fire resistance Class A1 according to standard BS EN 3501-01 : 2018, so they pose no fire risk.

Therefore, it can be easily installed in public areas and does not constitute a fire hazard. Use extinguishing media appropriate to the surrounding fire conditions.

HAZARD

As supplied, the products are not classified as hazardous.



HANDLING AND STORAGE

When handling the pedestals, it is essential to consider the risks outlined in the Manual Handling Operations Regulations 1992, and appropriate personal protective equipment (PPE) should be used. The pedestals will be delivered in cardboard boxes and possibly secured onto pallets depending on numbers purchased. It is important to utilise suitable lifting equipment operated by qualified personnel when moving the pallets.

To ensure safe storage, the pedestals should be stored in a dry environment. It is recommended to store them as they arrived in their boxes.

During the cutting process, it is crucial to implement measures to control metal particles and ensure proper ventilation. Additionally, always wear appropriate respiratory and full covered eye protection to safeguard against potential hazards.

DISPOSAL CONSIDERATIONS

Recycling aluminium at the end of their life cycle is strongly recommended. Aluminium is a highly recyclable material, and recycling helps conserve resources and reduce environmental impact. By recycling aluminium, the material can be processed and used to create new products, reducing the need for virgin aluminium extraction and production.

When it comes to the disposal of this aluminium, they can be taken to an approved solid waste disposal site or metal recyclers. These sites are equipped to handle various types of waste materials, including metals like aluminium. Proper disposal ensures that they don't end up in landfills or contribute to environmental pollution.

However, it is important to note that the disposal process should adhere to local or national regulations. Different regions may have specific guidelines and requirements for the disposal of certain materials, including aluminium. These regulations are in place to protect the environment and human health.

To ensure compliance, it is recommended to consult the relevant local or national authorities or waste management agencies for specific guidance on the proper disposal of aluminium. They can provide information on designated disposal facilities, recycling programs, or any special instructions that need to be followed.

By following the appropriate local or national regulations for disposal, you can contribute to responsible waste management and help minimise the environmental impact of aluminium disposal.



WARRANTIES

A Limited Warranty exists that the products will comply with the test data as laid out in this document for a period of 15 years. The warranty is limited to replacement of products which have been installed in the correct manner and for the correct purpose only. Warranty is limited to the value of the cost price of the materials only, not replacement costs or any other labour cost.

Under no circumstances shall Wallbarn Ltd be held responsible or liable for any incidental, consequential, indirect, special, punitive, or any other damage including, but not limited to, loss of profits, loss of sales, loss of start-up, loss or reduction of work.

The lifespan of Wallbarn's aluminium Fixed Height Pedestals is expected to be up to 50 years. This Limited Warranty covers our pedestals on condition that the Installation and Care & Maintenance Instructions are followed, and our pedestals are installed according to Wallbarn Ltd guidelines.

See Terms and Conditions of the Warranty and Scope of the Guarantee below for other exclusions and limitations of this Warranty.

1) WARRANTY TERMS AND CONDITIONS

1.1 Complaints are physically examined by Wallbarn Ltd.

1.2 Complaints/claims should be filed in writing to Wallbarn Ltd.

1.3 Proof of purchase of the rails/joists should accompany the written complaint/claim. Complaints/claims without the appropriate documentation will not be considered.

1.4 The company examining complaints (or its representatives) reserves the right to check the pedestals in the place of installation, the manner they have been installed and obtain details of the care and maintenance programme carried out before considering the complaint/claim.

1.7 The complaint/claim is only valid if the products are installed in the territory that the original purchase was made.

1.8 Wallbarn Ltd reserves the right to either repair the defect or offer material free of charge to the customer.

The above guaranteed lifetime of the Products "Fixed Height Pedestals" exists only where the Products have been installed in the correct and proper manner.



2) VISUAL APPEARANCE WARRANTY ON DELIVERY

Each pedestal is carefully inspected by our quality control team personnel prior to leaving our factory to ensure they are defect-free. We urge customers and installers to inspect each pedestal prior to installation. This Limited Warranty does not extend to cover defects in pedestals discovered after installation.

3) SCOPE OF GUARANTEE

3.1 This guarantee is issued in accordance with and is subject to the laws of England & Wales.

3.2 Obvious defects in the pedestals should be communicated to the supplier within 30 days from the delivery date of goods on site/warehouse. Claims regarding obvious defects after this period will not be considered.

3.3 To be able to make use of the Warranty, the product – Aluminium Fixed Height Pedestals - must be installed according to the Installation Instructions. Use fixings recommended and approved by Wallbarn Ltd as indicated in the appropriate technical documentation. The use of other types of fixtures not provided or approved by Wallbarn Ltd invalidates this Warranty.

3.4 If a claim is granted before installing the material, faulty aluminium Fixed Height Pedestals are replaced free of charge.

3.5 No claims can be accepted after installing the material if the buyer could have detected the defects before installation. This Warranty does not cover damage caused by third parties before installation.

TRANSPORT INFORMATION

The best method of transportation is strapped securely onto pallets.



KEY CONTACTS

Wallbarn Ltd.

Unit 16 Capital Business Centre,
22 Carlton Road, South Croydon CR2 0BS

Tel: +44 (0)20 8916 2222

Fax: +44 (0)20 8916 2223

Email: sales@wallbarn.com

Web: www.wallbarn.com

APPENDIX A:

The following table summarises the documents and URLs referenced in this document:

Product	Website Location
Class A Fixed Height Pedestals	https://www.wallbarn.com/fire-rated/fixed-height/
Class A Spreader Plate	https://www.wallbarn.com/fire-rated/headpieces-fixings/spreader-plate/
Paving Headpiece	https://www.wallbarn.com/fire-rated/headpieces-fixings/paving/
Rail Headpiece	https://www.wallbarn.com/fire-rated/headpieces-fixings/rail/
Crucifix for Paving	https://www.wallbarn.com/fire-rated/headpieces-fixings/crucifix/



LIMITED WARRANTY

APPENDIX B:

The warranty provided by Wallbarn Ltd covers a period of 15 years for their products. This warranty is based on the performance and strength specifications outlined in the technical datasheets published by the company.

Under normal usage and service conditions, and provided that the products have been installed correctly, Wallbarn Ltd guarantees that their products will be free from material defects in workmanship and materials. These products should not crack, splinter, swell, rot, or sustain structural damage from dampness or fungal decay.

In the event of a defect occurring within the warranty period, the purchaser must inform Wallbarn Ltd in writing. After an investigation and confirmation of the defect(s) by a representative of Wallbarn Ltd, the company's sole responsibility will be limited to replacing the affected products or refunding the purchaser up to the maximum value of the sales invoice.

This warranty is null and void if:

- The products are not installed in the proper manner as detailed in official Wallbarn Ltd product catalogues, installation guides and technical datasheets.
- The products are not used for the purposes they are intended, as detailed in official Wallbarn Ltd product catalogues, installation guides and technical datasheets.
- Excessive weights, higher than the maximum weight as detailed in official Wallbarn Ltd product catalogues, installation guides and technical datasheets are placed onto the products.
- The products are installed in contravention of any relevant building regulations, code or standards.
- Any relevant building regulations, code or standards, including fire safety regulations are breached on the project during the construction process.
- There is movement, distortion, collapse or settling of the supporting structure on which Wallbarn Ltd products are installed.
- Any abnormal natural event such as flooding, hurricane, earthquake, lightning, etc., occurs.



Wallbarn Ltd – Limited Warranty

This limited warranty does not cover any living product or any product which sustains life. This includes sedum and other plants and substrate mixes for M-Tray® and any other green roof system.

The living and growing elements of M-Tray® and other green roof systems are specifically excluded from this Warranty.

This Warranty is limited to the maximum amount of the Sales Invoice and Wallbarn Ltd is not liable for any costs of examination, removal or installation of products. Wallbarn Ltd will not be responsible for any costs or expenses incurred during removal and replacement, including labour or transport costs.

This warranty is only valid if the products are used for the purposes they are intended, as detailed in official Wallbarn Ltd product catalogues, installation guides, and technical datasheets, and if they are installed in the correct manner.

To make a claim under this Limited Warranty, the Purchaser should contact Wallbarn Ltd with a full report of the defects within the Warranty Period, including photographic evidence and proof of purchase. Any claim should be made to sales@wallbarn.com as soon as possible by the Purchaser

Our Terms & Conditions of Supply can be found here
<https://www.wallbarn.com/terms-conditions-of-supply/>