

## CeraLine. Discover our revamped classic

*New materials and finishes  
for new bathrooms and renovation projects*





## CeraLine has many great features – and now we've added more

*Once again, our multi-award-winning shower channel  
sets new standards*

Immerse yourself in a different world and recharge your batteries. Refresh and stimulate mind, body and soul. More than ever before, bathrooms and spas have come to represent a haven of peace, relaxation and contemplation. Dallmer is committed to fitting these new bathroom landscapes with drainage systems that set new standards in terms of form and functionality.

Dallmer has a long tradition of innovation, as showcased by our shower channels, with which we have created a whole new category of drain fittings – such as CeraLine,

a multi-award-winning design product that is well on the way to becoming a modern classic.

Read on for a detailed overview of CeraLine. This brochure is intended as a source of information and inspiration, offering you a stunning array of quality materials and features that enable you to achieve your very own unique and beautifully designed bathroom or spa.

Now more than ever: **CeraLine**  
sets free your inner designer





# CeraLine – versatile front-of-wall or floor installation

*An excellent choice either way:  
CeraLine W or CeraLine F*





reddot design award  
winner 2007

### CeraLine, the ideal shower drainage solution

Creating space for innovative architecture: the multi-award-winning CeraLine shower channel is available in a range of exclusive versions, finishes and material combinations. Thanks to flexible installation options, you can design your bathroom according to personal choice – as a front-of-wall or 'island' shower channel.

# CeraLine stands for quality – both above and below floor level

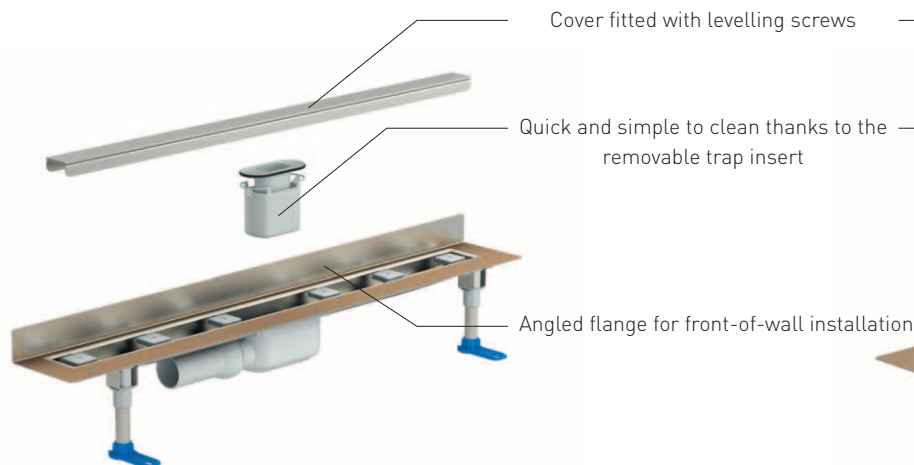
## CeraLine at a glance

- Can be freely positioned front-of-wall or in the showering area
- Fits seamlessly with all tile sizes
- The slim cover plates offer a beautifully elegant solution
- Ideal for rooms with low build-in-height availability (CeraLine Nano, 68 mm)
- Ideal for renovation/refurbishment projects
- New range of colours: anthracite matt, rose gold matt and brass matt

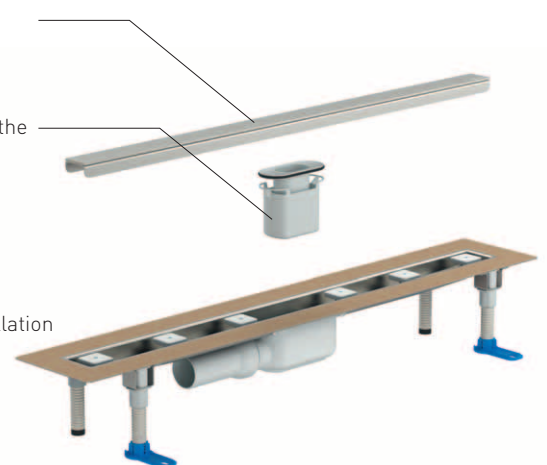
## Technical information

Build-in heights: 68 mm/90 mm/110 mm  
 Drainage rates: 0.46 l/s / 0.7 l/s / 0.8 l/s  
 Suitable for flooring: 5 – 22 mm  
 (incl. adhesive bed)  
 Lengths: 500 – 2000 mm

## CeraLine Plan W (front-of-wall installation)



## CeraLine Plan F (island installation)

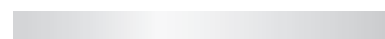


## Cover plates



500 – 2000 mm x 40 mm

## Materials and finishes



Standard stainless steel



Design stainless steel, brushed



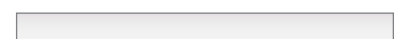
Design stainless steel, polished



Individual, for infilling with  
the surrounding floor finish



Black glass



White glass



PVD coating, anthracite matt



PVD coating, rose gold matt



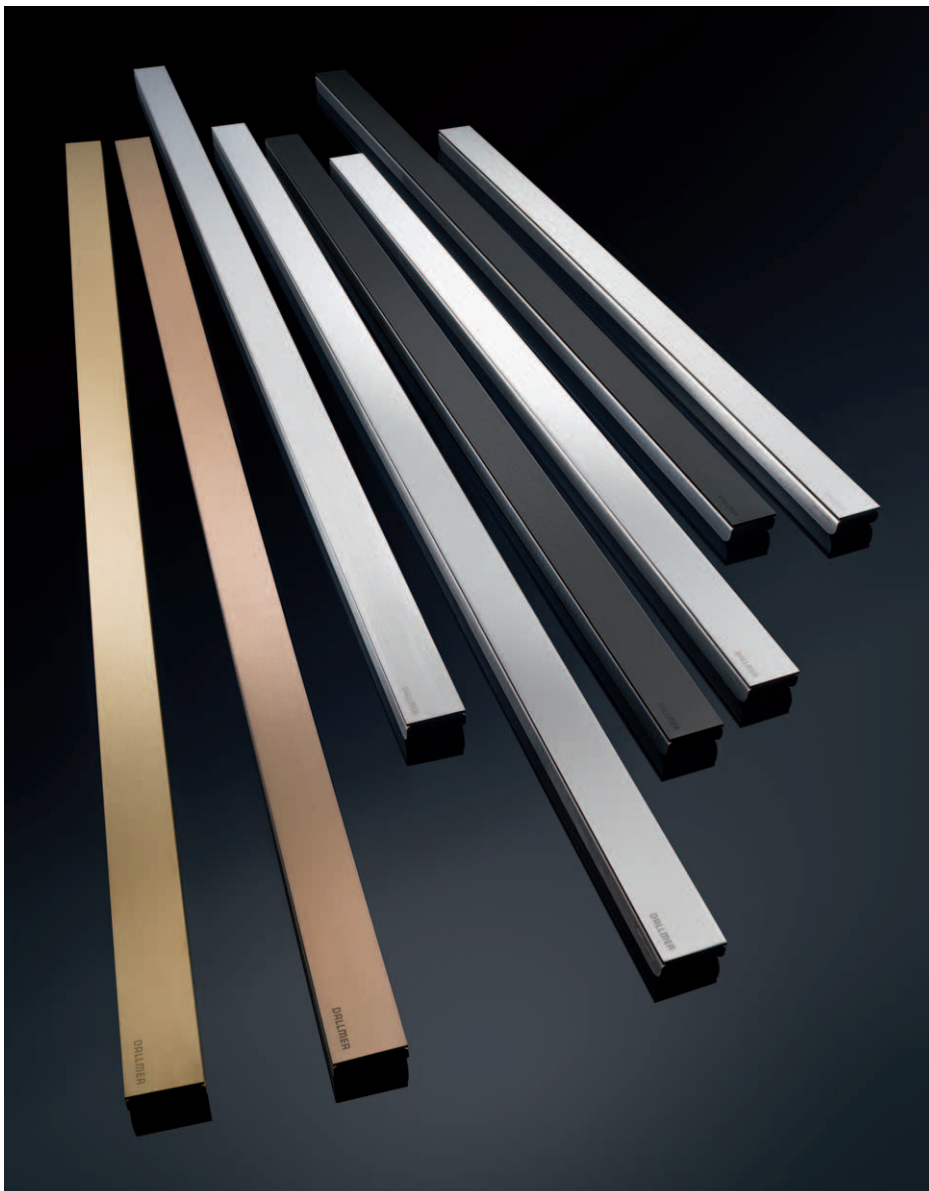
PVD coating, brass matt



# CeraLine's new finishes.

## An even wider choice for bathroom designers.

*Exclusive accents with  
award-winning shower channels*



### PVD coatings

From the minimalist to the sophisticated: the new colours, anthracite, rose gold and brass, open up a whole new world of design options for modern bathroom and spa design and give expression to unique and individual styles. It has been an interesting side-step into the shower channel sector for the ultra-thin PVD coating: originally developed as a protective layer for sports engine parts subject to extreme wear and tear, the carbon-based surface coating is finding increasing use in the area of modern interior design, such as exclusive bath fittings. What makes the coating so appealing is its combination of durability and attractive finish – brushed surfaces maintain their texture, polished surfaces their shine. In our experience, everything you need to add high-end sophistication to YOUR bathroom or spa area.

# CeraLine – Open to any design

## CeraLine F



LENGTH		500 mm	600 mm	700 mm	800 mm
CERALINE F (PART NO.)	BUILD-IN HEIGHT 110 mm	520012	520029	520036	520043
CERALINE PLAN F (PART NO.)	BUILD-IN HEIGHT 90 mm	523013	523020	523037	523044
CERALINE NANO F (PART NO.)	BUILD-IN HEIGHT 68 mm	523402	523495	523501	523594

## CeraLine W



LENGTH		500 mm	600 mm	700 mm	800 mm
CERALINE W (PART NO.)	BUILD-IN HEIGHT 110 mm	520111	520128	520135	520142
CERALINE PLAN W (PART NO.)	BUILD-IN HEIGHT 90 mm	523112	523129	523136	523143
CERALINE NANO W (PART NO.)	BUILD-IN HEIGHT 68 mm	523006	523099	523105	523198

## CeraLine vertical F \*



LENGTH		500 mm	600 mm	700 mm	800 mm
CERALINE VERTICAL F (PART NO.)	BUILD-IN HEIGHT 31 mm	521606	521613	521620	521637

## CeraLine F Duo



LENGTH		800 mm	900 mm	1000 mm
CERALINE F DUO (PART NO.)	BUILD-IN HEIGHT 110 mm	521804	521811	521828
CERALINE PLAN F DUO (PART NO.)	BUILD-IN HEIGHT 90 mm	521903	521910	521927
CERALINE NANO F DUO (PART NO.)	BUILD-IN HEIGHT 68 mm	522191	522214	522221

## CeraLine W Duo



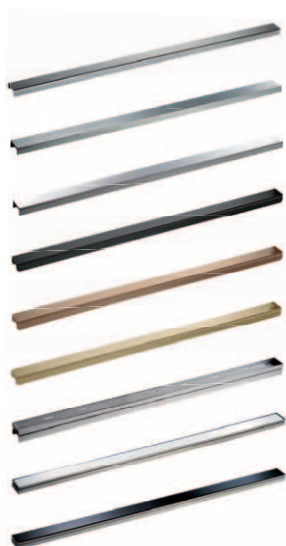
LENGTH		800 mm	900 mm	1000 mm
CERALINE W DUO (PART NO.)	BUILD-IN HEIGHT 110 mm	521859	521866	521873
CERALINE PLAN W DUO (PART NO.)	BUILD-IN HEIGHT 90 mm	521958	521965	521972
CERALINE NANO W DUO (PART NO.)	BUILD-IN HEIGHT 68 mm	522290	522313	522320

## CeraLine vertical F Duo\*



LENGTH		
CERALINE VERTICAL F DUO (PART NO.)	BUILD-IN HEIGHT 37 mm	

## Cover plates



LENGTH	500 mm	600 mm	700 mm	800 mm	900 mm
STAINLESS STEEL STANDARD (PART NO.)	520517	520524	520531	520548	520555
STAINLESS STEEL BRUSHED (PART NO.)	520616	520623	520630	520647	520654
STAINLESS STEEL POLISHED (PART NO.)	523716	523723	523730	523747	523754
ANTHRACITE MAT (PART NO.)	527097	527158	527165	527172	527189
RED GOLD MAT (PART NO.)	527264	527271	527288	527295	527301
BRASS MAT (PART NO.)	527349	527356	527363	527370	527387
INDIVIDUAL (PART NO.)	520715	520722	520739	520746	520753
GLASS WHITE (PART NO.)	523518	523525	523532	523549	523556
GLASS BLACK (PART NO.)	523419	523426	523433	523440	523457

\* Option for fire and sound-insulating collar installation kits

Material cover plates for shower channel CeraLine:

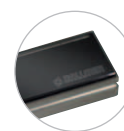
900 mm	1000 mm	1100 mm	1200 mm
520050	520067	520081	520074
523051	523068	523075	523082
523600	523693	523709	523792



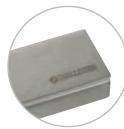
Stainless steel Standard



Colored PVD coated anthracite mat



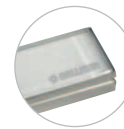
Glass black



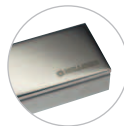
Stainless steel brushed



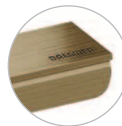
Colored PVD coated red gold mat



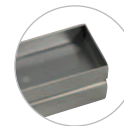
Glass white



Stainless steel polished



Colored PVD coated brass mat



Individual, with recess for customer's floor finish

900 mm	1000 mm	1100 mm	1200 mm
520159	520166	520180	520173
523150	523167	523174	523181
523204	523297	523303	523396

900 mm	1000 mm	1100 mm	1200 mm
521644	521651	521668	521675

1100 mm	1200 mm	1300 mm	1400 mm	1500 mm	1600 mm	1700 mm	1800 mm	1900 mm	2000 mm
521835	521842	524010	524027	524034	524041	524058	524065	524072	524089
521934	521941	524508	524515	524522	524539	524546	524553	524560	524577
522238	522276	524713	524720	524737	524744	524751	524768	524775	524782

1100 mm	1200 mm	1300 mm	1400 mm	1500 mm	1600 mm	1700 mm	1800 mm	1900 mm	2000 mm
521880	521897	524096	524102	524119	524126	524133	524140	524157	524164
521989	521996	524584	524591	524607	524614	524621	524638	524645	524652
522337	522375	524799	524805	524812	524829	524836	524843	524850	524867

	1300 mm	1400 mm	1500 mm	1600 mm	1700 mm	1800 mm	1900 mm	2000 mm
	521682	521699	521705	521712	521729	521736	521743	521750

1000 mm	1100 mm	1200 mm	1300 mm	1400 mm	1500 mm	1600 mm	1700 mm	1800 mm	1900 mm	2000 mm
520562	520586	520579	524201	524218	524225	524232	524249	524256	524263	524270
520661	520685	520678	524287	524294	524300	524317	524324	524331	524348	524355
523761	523778	523785								
527196	527240	527257								
527318	527325	527332								
527394	527400	527417								
520760	520784	520777	524362	524379	524386	524393	524409	524416	524423	524430
523563	523570	523587								
523464	523471	523488								

# Shower channel CeraLine



## DALLMER shower channel CeraLine F

conforming to DIN EN 1253

Linear drainage, with one drain body, outlet horizontal, ball-joint adjustable 0 – 15 degrees, DN 50, BS 2" sw socket or HDPE 56 mm

### SPECIFICATION

- sound absorbing height adjustable levelling legs
- integral sand coated flange for secure bonding of under-tile waterproofing
- removable trap insert, 50 mm water seal
- height adjustable screws
- temporary blanking plate
- tiling gauges
- edge trim jigs

### MATERIAL

channel 304 stainless steel, trap polypropylene

#### FLOW RATE TESTED TO DIN EN 1253 (with 20 mm water over grate)

	Required	Dallmer
DN 50	0,8 l/s	0,8 l/s

ITEM	L 1	L 2	PART NO. BS 2"	PART NO. DN 50
shower channel CeraLine F, 500 mm		600 mm	521118	520012
shower channel CeraLine F, 600 mm		700 mm	521125	520029
shower channel CeraLine F, 700 mm		800 mm	521132	520036
shower channel CeraLine F, 800 mm		900 mm	521149	520043
shower channel CeraLine F, 900 mm		1000 mm	521156	520050
shower channel CeraLine F, 1000 mm		1100 mm	521163	520067
shower channel CeraLine F, 1100 mm		1200 mm	521170	520081
shower channel CeraLine F, 1200 mm		1300 mm	521187	520074

Options for CeraLine F:

Any made-to-measure length up to 1200 mm can be supplied. Please enquire!

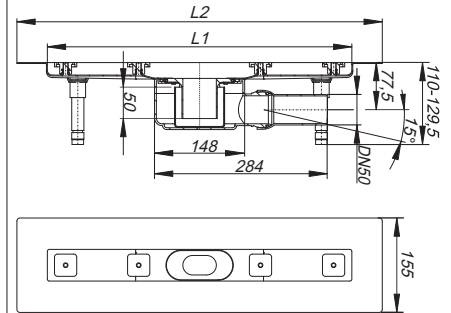
CeraLine 600 mm – 1100 mm can be used with the Poresta® BFR 75 unit!

The outlet connector can be supplied in ABS to suit British Standard sizes and PE-HD conforming to DIN EN 1519. Please enquire.

Build-in height 110 mm



shower channel CeraLine F 500 – 1200



## DALLMER sound-insulating pad CeraLine

for use with floor channel CeraLine.

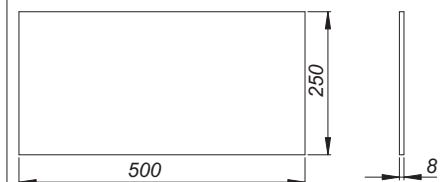
Tested to conform to DIN 4109/VDI 4100, certificate P BA 221/2008 (CeraLine).

ITEM	DIMENSION	PART NO.
sound-insulating pad CeraLine	500 x 250 mm	520869

Channels 1300 - 2000 needs two sound-insulating pads CeraLine.



sound-insulating pad CeraLine



# Shower channel CeraLine



## DALLMER shower channel CeraLine F Duo

conforming to DIN EN 1253

Linear drainage, with two drain bodies, outlet DN 50 horizontal, ball-joint adjustable 0 – 15 degrees

### SPECIFICATION

- sound-insulated, height adjustable levelling legs
- integral sand coated flange for secure bonding of under-tile waterproofing
- removeable trap insert, 50 mm water seal
- height adjustable pedestals for levelling the cover-plate
- temporary blanking plate
- tiling gauges
- tile-trim jig

### MATERIAL

channel 304 stainless steel, trap polypropylene

**FLOW RATE TESTED TO DIN EN 1253**  
(with 20 mm water over grate)

	Required	Dallmer
DN 50	0,8 l/s	1,4 l/s

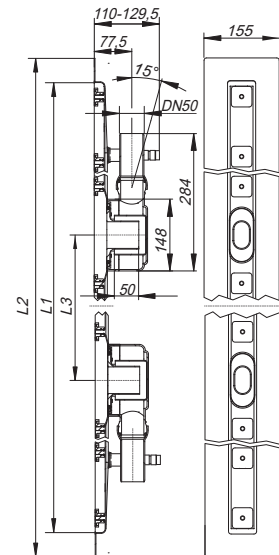
ITEM	L 1	L 2	L 3	PART NO.
shower channel CeraLine F Duo, 800 mm		900 mm	200 mm	521804
shower channel CeraLine F Duo, 900 mm		1000 mm	300 mm	521811
shower channel CeraLine F Duo, 1000 mm		1100 mm	300 mm	521828
shower channel CeraLine F Duo, 1100 mm		1200 mm	400 mm	521835
shower channel CeraLine F Duo, 1200 mm		1300 mm	400 mm	521842
shower channel CeraLine F Duo, 1300 mm		1400 mm	500 mm	524010
shower channel CeraLine F Duo, 1400 mm		1500 mm	500 mm	524027
shower channel CeraLine F Duo, 1500 mm		1600 mm	600 mm	524034
shower channel CeraLine F Duo, 1600 mm		1700 mm	600 mm	524041
shower channel CeraLine F Duo, 1700 mm		1800 mm	700 mm	524058
shower channel CeraLine F Duo, 1800 mm		1900 mm	700 mm	524065
shower channel CeraLine F Duo, 1900 mm		2000 mm	800 mm	524072
shower channel CeraLine F Duo, 2000 mm		2100 mm	800 mm	524089

Options for CeraLine F Duo:

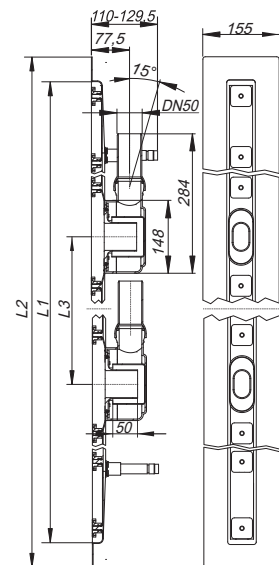
Any made-to-measure length up to 2000 mm can be supplied. Please enquire!

The outlet connector can be supplied in ABS to suit British Standard sizes and PE-HD conforming to DIN EN 1519. Please enquire.

Build-in height 110 mm



shower channel CeraLine F Duo 800 – 1000



shower channel CeraLine F Duo 1100 – 2000

# Shower channel CeraLine



## DALLMER shower channel CeraLine W

conforming to DIN EN 1253

Linear drainage for installation at wall, with one drain body, outlet horizontal, ball-joint adjustable 0 – 15 degrees, DN 50, BS 2" sw socket or HDPE 56 mm

### SPECIFICATION

- sound absorbing height adjustable levelling legs
- integral sand coated flange for secure bonding of under-tile waterproofing
- removable trap insert, 50 mm water seal
- height adjustable screws
- temporary blanking plate
- tiling gauges
- edge trim jigs

### MATERIAL

channel 304 stainless steel, trap polypropylene

#### FLOW RATE TESTED TO DIN EN 1253 (with 20 mm water over grate)

	Required	Dallmer
DN 50	0,8 l/s	0,8 l/s

ITEM	L 1	L 2	PART NO. BS 2"	PART NO. DN 50
shower channel CeraLine W, 500 mm		600 mm	521316	520111
shower channel CeraLine W, 600 mm		700 mm	521323	520128
shower channel CeraLine W, 700 mm		800 mm	521330	520135
shower channel CeraLine W, 800 mm		900 mm	521347	520142
shower channel CeraLine W, 900 mm		1000 mm	521354	520159
shower channel CeraLine W, 1000 mm		1100 mm	521361	520166
shower channel CeraLine W, 1100 mm		1200 mm	521378	520180
shower channel CeraLine W, 1200 mm		1300 mm	521385	520173

### Options for CeraLine W:

- Any made-to-measure length up to 1200 mm can be supplied
- Upstands can be on back, back and one end or back and both ends
- Upstand can be set back for stone, marble wall finish

Please enquire!

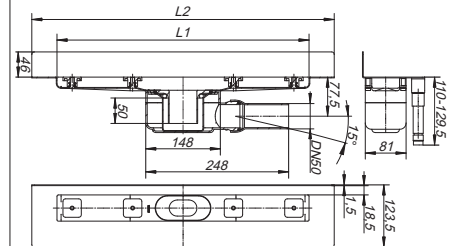
CeraLine 600 mm – 1100 mm can be used with the Poresta® BFR 75 unit!

The outlet connector can be supplied in ABS to suit British Standard sizes and PE-HD conforming to DIN EN 1519. Please enquire.

Build-in height 110 mm



shower channel CeraLine W 500 – 1200



# Shower channel CeraLine



## DALLMER shower channel CeraLine W Duo

conforming to DIN EN 1253

Linear drainage for installation at wall, with two drain bodies, outlet DN 50 horizontal, ball-joint adjustable 0 – 15 degrees

### SPECIFICATION

- sound absorbing height adjustable levelling legs
- integral sand coated flange for secure bonding of under-tile waterproofing
- removable trap insert, 50 mm water seal
- height adjustable pedestals for levelling the cover-plate
- temporary blanking plate
- tiling gauges
- edge trim jigs

### MATERIAL

channel 304 stainless steel, trap polypropylene

#### FLOW RATE TESTED TO DIN EN 1253 (with 20 mm water over grate)

	Required	Dallmer
DN 50	0,8 l/s	1,4 l/s

ITEM	L 1	L 2	L 3	PART NO.
shower channel CeraLine W Duo, 800 mm		900 mm	200 mm	521859
shower channel CeraLine W Duo, 900 mm		1000 mm	300 mm	521866
shower channel CeraLine W Duo, 1000 mm		1100 mm	300 mm	521873
shower channel CeraLine W Duo, 1100 mm		1200 mm	400 mm	521880
shower channel CeraLine W Duo, 1200 mm		1300 mm	400 mm	521897
shower channel CeraLine W Duo, 1300 mm		1400 mm	500 mm	524096
shower channel CeraLine W Duo, 1400 mm		1500 mm	500 mm	524102
shower channel CeraLine W Duo, 1500 mm		1600 mm	600 mm	524119
shower channel CeraLine W Duo, 1600 mm		1700 mm	600 mm	524126
shower channel CeraLine W Duo, 1700 mm		1800 mm	700 mm	524133
shower channel CeraLine W Duo, 1800 mm		1900 mm	700 mm	524140
shower channel CeraLine W Duo, 1900 mm		2000 mm	800 mm	524157
shower channel CeraLine W Duo, 2000 mm		2100 mm	800 mm	524164

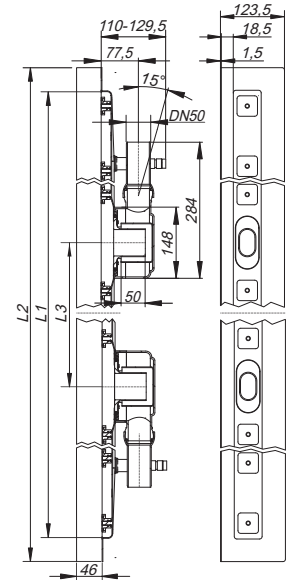
### Options for CeraLine W Duo:

- Any made-to-measure length up to 2000 mm can be supplied
- Upstands can be on back, back and one end or back and both ends
- Upstand can be set back for stone, marble wall finish

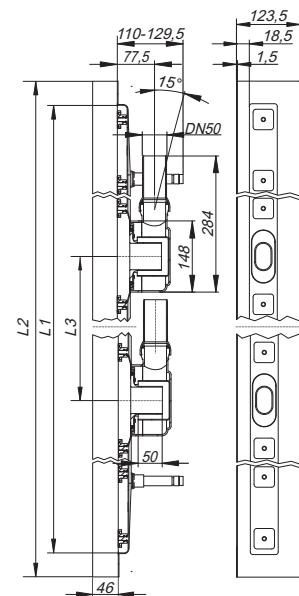
Please enquire!

The outlet connector can be supplied in ABS to suit British Standard sizes and PE-HD conforming to DIN EN 1519. Please enquire.

Build-in height 110 mm



shower channel CeraLine W Duo 800 – 1000



shower channel CeraLine W Duo 1100 – 2000

# Shower channel CeraLine



## DALLMER shower channel CeraLine Plan F

Linear drainage  
with one drain body, outlet DN 50 horizontal, ball-joint adjustable 0 – 15 degrees

### SPECIFICATION

- sound absorbing height adjustable levelling legs
- integral sand coated flange for secure bonding of under-tile waterproofing
- removable trap insert, 30 mm water seal
- height adjustable screws
- temporary blanking plate
- tiling gauges
- edge trim jigs

### MATERIAL

channel 304 stainless steel, trap polypropylene

FLOW RATE TESTED TO DIN EN 1253 TAB. 3,  
(with 20 mm water over cover plate), conforming to DIN EN 274

	Required	Dallmer
DN 50	0,4 l/s	0,7 l/s

ITEM	L 1	L 2	PART NO.
shower channel CeraLine Plan F, 500 mm		600 mm	523013
shower channel CeraLine Plan F, 600 mm		700 mm	523020
shower channel CeraLine Plan F, 700 mm		800 mm	523037
shower channel CeraLine Plan F, 800 mm		900 mm	523044
shower channel CeraLine Plan F, 900 mm		1000 mm	523051
shower channel CeraLine Plan F, 1000 mm		1100 mm	523068
shower channel CeraLine Plan F, 1100 mm		1200 mm	523075
shower channel CeraLine Plan F, 1200 mm		1300 mm	523082

### Options for CeraLine Plan F:

Any made-to-measure length up to 1200 mm can be supplied. Please enquire!

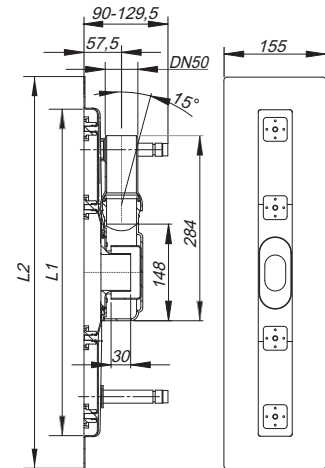
CeraLine 600 mm – 1100 mm can be used with the Poresta® BFR 75 unit!

The outlet connector can be supplied in ABS to suit British Standard sizes and PE-HD conforming to DIN EN 1519. Please enquire.

Build-in height 90 mm



shower channel CeraLine Plan F 500 – 1200





# Shower channel CeraLine



## DALLMER shower channel CeraLine Plan F Duo

Linear drainage  
with two drain bodies, outlet DN 50 horizontal, ball-joint adjustable 0 – 15 degrees

### SPECIFICATION

- sound-insulated height adjustable levelling legs
- integral sand coated flange for secure bonding of under-tile waterproofing
- removeable trap insert, 30 mm water seal
- height adjustable pedestals for levelling the cover-plate
- temporary blanking plate
- tiling gauges
- tile-trim jig

### MATERIAL

channel 304 stainless steel, trap polypropylene

FLOW RATE TESTED TO DIN EN 1253  
(with 20 mm water over grate)

	Required	Dallmer
DN 50	0,8 l/s	1,2 l/s

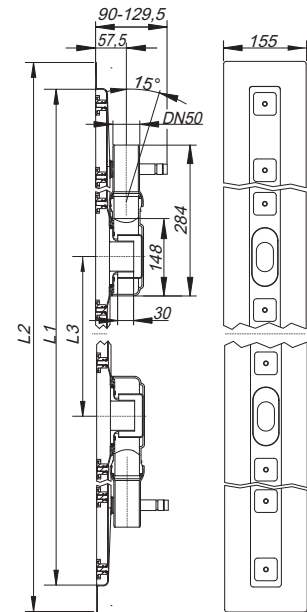
ITEM	L 1	L 2	L 3	PART NO.
shower channel CeraLine Plan F Duo, 800 mm		900 mm	200 mm	521903
shower channel CeraLine Plan F Duo, 900 mm		1000 mm	300 mm	521910
shower channel CeraLine Plan F Duo, 1000 mm		1100 mm	300 mm	521927
shower channel CeraLine Plan F Duo, 1100 mm		1200 mm	400 mm	521934
shower channel CeraLine Plan F Duo, 1200 mm		1300 mm	400 mm	521941
shower channel CeraLine Plan F Duo, 1300 mm		1400 mm	500 mm	524508
shower channel CeraLine Plan F Duo, 1400 mm		1500 mm	500 mm	524515
shower channel CeraLine Plan F Duo, 1500 mm		1600 mm	600 mm	524522
shower channel CeraLine Plan F Duo, 1600 mm		1700 mm	600 mm	524539
shower channel CeraLine Plan F Duo, 1700 mm		1800 mm	700 mm	524546
shower channel CeraLine Plan F Duo, 1800 mm		1900 mm	700 mm	524553
shower channel CeraLine Plan F Duo, 1900 mm		2000 mm	800 mm	524560
shower channel CeraLine Plan F Duo, 2000 mm		2100 mm	800 mm	524577

Options for CeraLine Plan F Duo:

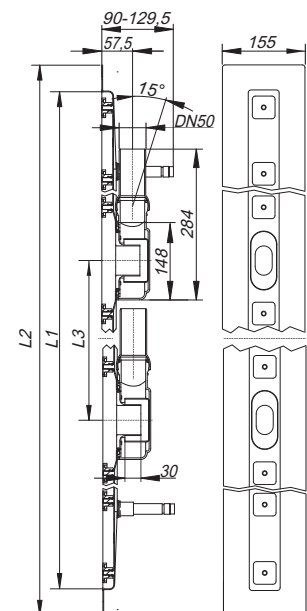
Any made-to-measure length up to 2000 mm can be supplied. Please enquire!

The outlet connector can be supplied in ABS to suit British Standard sizes and PE-HD conforming to DIN EN 1519. Please enquire.

Build-in height 90 mm



shower channel CeraLine Plan F Duo 800 – 1000



shower channel CeraLine Plan F Duo 1100 – 2000

# Shower channel CeraLine



## DALLMER shower channel CeraLine Plan W

Linear drainage for installation at wall  
with one drain body, outlet DN 50 horizontal, ball-joint adjustable 0 – 15 degrees

### SPECIFICATION

- sound absorbing height adjustable levelling legs
- integral sand coated flange for secure bonding of under-tile waterproofing
- removable trap insert, 30 mm water seal
- height adjustable screws,
- temporary blanking plate
- tiling gauges
- edge trim jigs

### MATERIAL

channel 304 stainless steel, trap polypropylene

FLOW RATE TESTED TO DIN EN 1253 TAB. 3,  
(with 20 mm water over cover plate), conforming to DIN EN 274

	Required	Dallmer
DN 50	0,4 l/s	0,7 l/s

ITEM	L 1	L 2	PART NO.
shower channel CeraLine Plan W, 500 mm		600 mm	523112
shower channel CeraLine Plan W, 600 mm		700 mm	523129
shower channel CeraLine Plan W, 700 mm		800 mm	523136
shower channel CeraLine Plan W, 800 mm		900 mm	523143
shower channel CeraLine Plan W, 900 mm		1000 mm	523150
shower channel CeraLine Plan W, 1000 mm		1100 mm	523167
shower channel CeraLine Plan W, 1100 mm		1200 mm	523174
shower channel CeraLine Plan W, 1200 mm		1300 mm	523181

### Options for CeraLine Plan W:

- Any made-to-measure length up to 1200 mm can be supplied. Please enquire!
  - Upstands can be on back, back and one end or back and both ends
  - Upstand can be set back for stone, marble wall finish
- Please enquire!

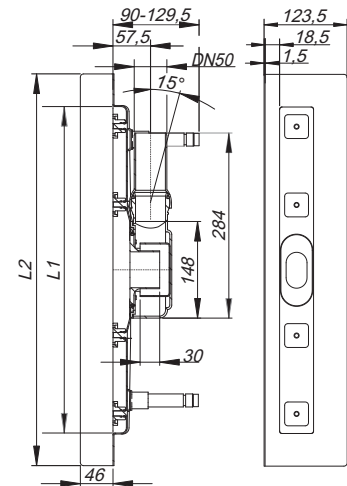
CeraLine 600 mm – 1100 mm can be used with the Poresta® BFR 75 unit!

The outlet connector can be supplied in ABS to suit British Standard sizes and PE-HD conforming to DIN EN 1519. Please enquire.

Build-in height 90 mm



shower channel CeraLine Plan W 500 – 1200



# Shower channel CeraLine



## DALLMER shower channel CeraLine Plan W Duo

Linear drainage for installation at wall  
with two drain bodies, outlet DN 50 horizontal, ball-joint adjustable 0 – 15 degrees

### SPECIFICATION

- sound-insulated, height adjustable levelling legs
- integral sand coated flange for secure bonding of under-tile waterproofing
- removeable trap insert, 30 mm water seal
- height adjustable pedestals for levelling the cover-plate
- temporary blanking plate
- tiling gauges
- tile-trim jig

### MATERIAL

channel 304 stainless steel, trap polypropylene

**FLOW RATE TESTED TO DIN EN 1253**  
(with 20 mm water over grate)

	Required	Dallmer
DN 50	0,8 l/s	1,2 l/s

ITEM	L 1	L 2	L 3	PART NO.
shower channel CeraLine Plan W Duo, 800 mm		900 mm	200 mm	521958
shower channel CeraLine Plan W Duo, 900 mm		1000 mm	300 mm	521965
shower channel CeraLine Plan W Duo, 1000 mm		1100 mm	300 mm	521972
shower channel CeraLine Plan W Duo, 1100 mm		1200 mm	400 mm	521989
shower channel CeraLine Plan W Duo, 1200 mm		1300 mm	400 mm	521996
shower channel CeraLine Plan W Duo, 1300 mm		1400 mm	500 mm	524584
shower channel CeraLine Plan W Duo, 1400 mm		1500 mm	500 mm	524591
shower channel CeraLine Plan W Duo, 1500 mm		1600 mm	600 mm	524607
shower channel CeraLine Plan W Duo, 1600 mm		1700 mm	600 mm	524614
shower channel CeraLine Plan W Duo, 1700 mm		1800 mm	700 mm	524621
shower channel CeraLine Plan W Duo, 1800 mm		1900 mm	700 mm	524638
shower channel CeraLine Plan W Duo, 1900 mm		2000 mm	800 mm	524645
shower channel CeraLine Plan W Duo, 2000 mm		2100 mm	800 mm	524652

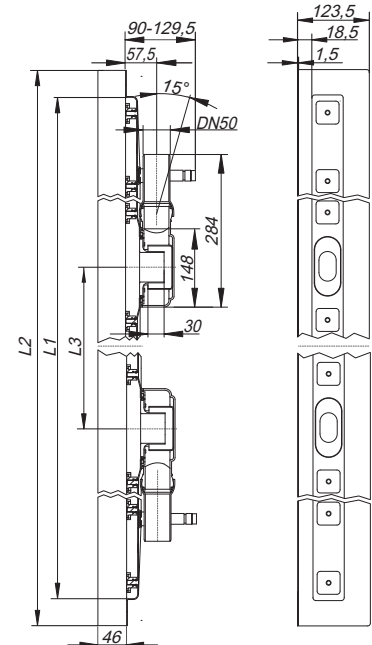
### Options for CeraLine Plan W Duo:

- Any made-to-measure length up to 2000 mm can be supplied
- Upstands can be on back, back and one end or back and both ends
- Upstand can be set back for stone, marble wall finish

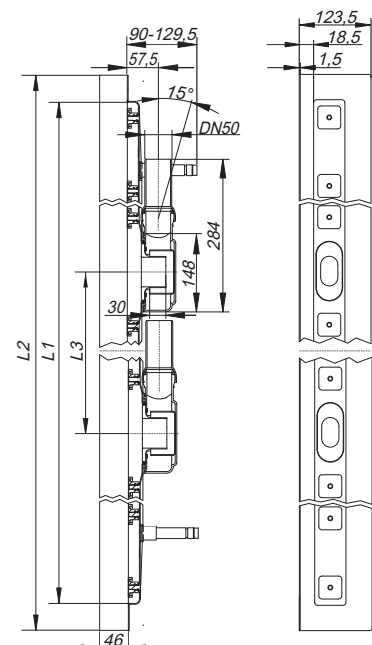
Please enquire!

The outlet connector can be supplied in ABS to suit British Standard sizes and PE-HD conforming to DIN EN 1519. Please enquire.

Build-in height 90 mm



shower channel CeraLine Plan W Duo 800 - 1000



shower channel CeraLine Plan W Duo 1100 – 2000

# Shower channel CeraLine



## DALLMER shower channel CeraLine Nano F

Linear drainage  
with one drain body, outlet DN 50 horizontal

### SPECIFICATION

- sound absorbing height adjustable levelling legs
- integral sand coated flange for secure bonding of under-tile waterproofing
- removable trap insert, 24 mm water seal
- height adjustable screws
- temporary blanking plate
- tiling gauges
- edge trim jigs

### MATERIAL

channel 304 stainless steel, trap polypropylene

FLOW RATE TESTED TO DIN EN 1253 TAB. 3,  
(with 20 mm water over cover plate), conforming to DIN EN 274

	Required	Dallmer
DN 50	0,4 l/s	0,46 l/s

ITEM	L 1	L 2	PART NO.
shower channel CeraLine Nano F, 500 mm		600 mm	523402
shower channel CeraLine Nano F, 600 mm		700 mm	523495
shower channel CeraLine Nano F, 700 mm		800 mm	523501
shower channel CeraLine Nano F, 800 mm		900 mm	523594
shower channel CeraLine Nano F, 900 mm		1000 mm	523600
shower channel CeraLine Nano F, 1000 mm		1100 mm	523693
shower channel CeraLine Nano F, 1100 mm		1200 mm	523709
shower channel CeraLine Nano F, 1200 mm		1300 mm	523792

Options for CeraLine Nano F:

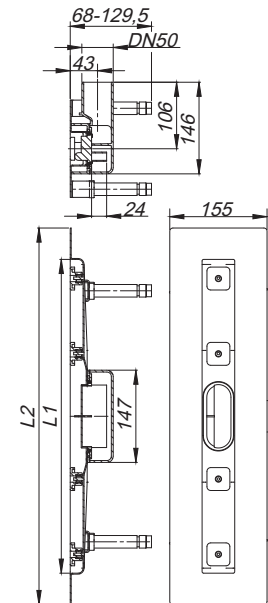
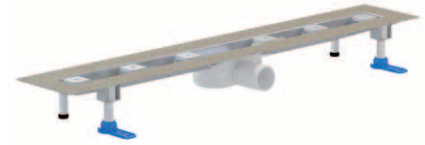
Any made-to-measure length up to 1200 mm can be supplied. Please enquire!

CeraLine 600 mm – 1100 mm can be used with the Poresta® BFR 75 unit!

CeraLine 500 mm – 1100 mm can be used with the Schedel-Element LINE Dallmer UNIVERSAL!

The outlet connector can be supplied in ABS to suit British Standard sizes and PE-HD conforming to DIN EN 1519. Please enquire.

Build-in height 68 mm



shower channel CeraLine Nano F 500 – 1200

# Shower channel CeraLine



## DALLMER shower channel CeraLine Nano F Duo

Linear drainage  
with two drain bodies, outlet DN 50 horizontal

### SPECIFICATION

- sound absorbing height adjustable levelling legs
- integral sand coated flange for secure bonding of under-tile waterproofing
- removable trap insert, 24 mm water seal
- height adjustable screws
- temporary blanking plate
- tiling gauges
- edge trim jigs

### MATERIAL

channel 304 stainless steel, trap polypropylene

**FLOW RATE TESTED TO DIN EN 1253**  
(with 20 mm water over grate)

	Required	Dallmer
DN 50	0,8 l/s	0,82 l/s

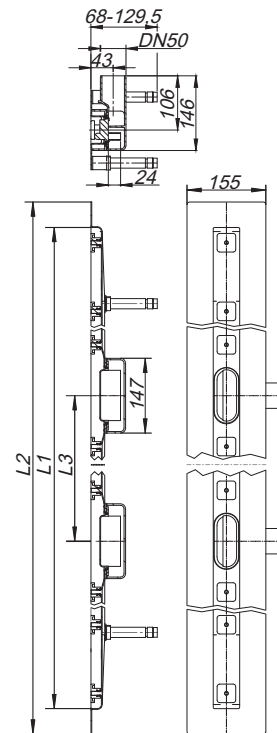
ITEM	L 1	L 2	L 3	PART NO.
shower channel CeraLine Nano F Duo, 800 mm		900 mm	200 mm	522191
shower channel CeraLine Nano F Duo, 900 mm		1000 mm	300 mm	522214
shower channel CeraLine Nano F Duo, 1000 mm		1100 mm	300 mm	522221
shower channel CeraLine Nano F Duo, 1100 mm		1200 mm	400 mm	522238
shower channel CeraLine Nano F Duo, 1200 mm		1300 mm	400 mm	522276
shower channel CeraLine Nano F Duo, 1300 mm		1400 mm	500 mm	524713
shower channel CeraLine Nano F Duo, 1400 mm		1500 mm	500 mm	524720
shower channel CeraLine Nano F Duo, 1500 mm		1600 mm	600 mm	524737
shower channel CeraLine Nano F Duo, 1600 mm		1700 mm	600 mm	524744
shower channel CeraLine Nano F Duo, 1700 mm		1800 mm	700 mm	524751
shower channel CeraLine Nano F Duo, 1800 mm		1900 mm	700 mm	524768
shower channel CeraLine Nano F Duo, 1900 mm		2000 mm	800 mm	524775
shower channel CeraLine Nano F Duo, 2000 mm		2100 mm	800 mm	524782

Options for CeraLine Nano F Duo:

Any made-to-measure length up to 2000 mm can be supplied. Please enquire!

The outlet connector can be supplied in ABS to suit British Standard sizes and PE-HD conforming to DIN EN 1519. Please enquire.

Build-in height 68 mm



shower channel CeraLine Nano F Duo 800 – 2000

# Shower channel CeraLine



## DALLMER shower channel CeraLine Nano W

Linear drainage for installation at wall  
with one drain body, outlet DN 50 horizontal

### SPECIFICATION

- sound absorbing height adjustable levelling legs
- integral sand coated flange for secure bonding of under-tile waterproofing
- removable trap insert, 24 mm water seal
- height adjustable screws
- temporary blanking plate
- tiling gauges
- edge trim jigs

### MATERIAL

channel 304 stainless steel, trap polypropylene

FLOW RATE TESTED TO DIN EN 1253 TAB. 3,  
(with 20 mm water over cover plate), conforming to DIN EN 274

	Required	Dallmer
DN 50	0,4 l/s	0,46 l/s

ITEM	L 1	L 2	PART NO.
shower channel CeraLine Nano W,	500 mm	600 mm	523006
shower channel CeraLine Nano W,	600 mm	700 mm	523099
shower channel CeraLine Nano W,	700 mm	800 mm	523105
shower channel CeraLine Nano W,	800 mm	900 mm	523198
shower channel CeraLine Nano W,	900 mm	1000 mm	523204
shower channel CeraLine Nano W,	1000 mm	1100 mm	523297
shower channel CeraLine Nano W,	1100 mm	1200 mm	523303
shower channel CeraLine Nano W,	1200 mm	1300 mm	523396

### Options for CeraLine Nano W:

- Any made-to-measure length up to 1200 mm can be supplied.
- Upstands can be on back, back and one end or back and both ends
- Upstand can be set back for stone, marble wall finish

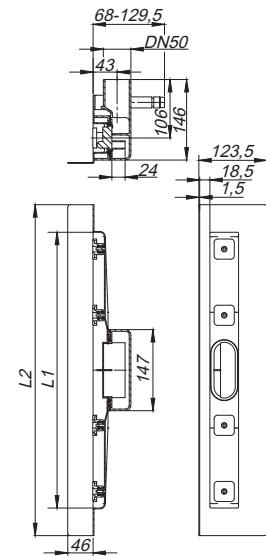
Please enquire!

CeraLine 600 mm – 1100 mm can be used with the Poresta® BFR 75 unit!

CeraLine 500 mm – 1100 mm can be used with the Schedel-Element LINE Dallmer UNIVERSAL!

The outlet connector can be supplied in ABS to suit British Standard sizes and PE-HD conforming to DIN EN 1519. Please enquire.

Build-in height 68 mm



shower channel CeraLine Nano W 500 – 1200

# Shower channel CeraLine



## DALLMER shower channel CeraLine Nano W Duo

Linear drainage for installation at wall  
with two drain bodies, outlet DN 50 horizontal

### SPECIFICATION

- sound absorbing height adjustable levelling legs
- integral sand coated flange for secure bonding of under-tile waterproofing
- removable trap insert, 24 mm water seal
- height adjustable screws
- temporary blanking plate
- tiling gauges
- edge trim jigs

### MATERIAL

channel 304 stainless steel, trap polypropylene

**FLOW RATE TESTED TO DIN EN 1253**  
(with 20 mm water over grate)

	Required	Dallmer
DN 50	0,8 l/s	0,82 l/s

ITEM	L 1	L 2	L 3	PART NO.
shower channel CeraLine Nano W Duo, 800 mm		900 mm	200 mm	522290
shower channel CeraLine Nano W Duo, 900 mm		1000 mm	300 mm	522313
shower channel CeraLine Nano W Duo, 1000 mm		1100 mm	300 mm	522320
shower channel CeraLine Nano W Duo, 1100 mm		1200 mm	400 mm	522337
shower channel CeraLine Nano W Duo, 1200 mm		1300 mm	400 mm	522375
shower channel CeraLine Nano W Duo, 1300 mm		1400 mm	500 mm	524799
shower channel CeraLine Nano W Duo, 1400 mm		1500 mm	500 mm	524805
shower channel CeraLine Nano W Duo, 1500 mm		1600 mm	600 mm	524812
shower channel CeraLine Nano W Duo, 1600 mm		1700 mm	600 mm	524829
shower channel CeraLine Nano W Duo, 1700 mm		1800 mm	700 mm	524836
shower channel CeraLine Nano W Duo, 1800 mm		1900 mm	700 mm	524843
shower channel CeraLine Nano W Duo, 1900 mm		2000 mm	800 mm	524850
shower channel CeraLine Nano W Duo, 2000 mm		2100 mm	800 mm	524867

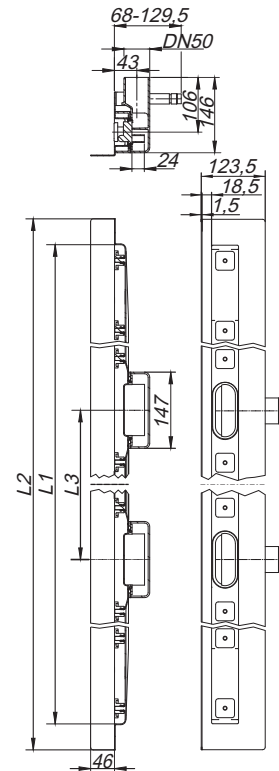
Options for CeraLine Nano W Duo:

- Any made-to-measure length up to 2000 mm can be supplied
- Upstands can be on back, back and one end or back and both ends
- Upstand can be set back for stone, marble wall finish

Please enquire!

The outlet connector can be supplied in ABS to suit British Standard sizes and PE-HD conforming to DIN EN 1519. Please enquire.

Build-in height 68 mm



shower channel CeraLine Nano W Duo 800 – 2000

# Shower channel CeraLine



## DALLMER shower channel CeraLine vertical F

conforming to DIN EN 1253

Linear drainage, with one drain body 40 S, outlet DN 50 vertical

### SPECIFICATION

- sound absorbing height adjustable levelling legs
- integral sand coated flange for secure bonding of under-tile waterproofing
- removable trap insert, 50 mm water seal
- height adjustable screws
- temporary blanking plate
- tiling gauges
- edge trim jigs

### MATERIAL

channel 304 stainless steel, trap polypropylene

**FLOW RATE TESTED TO DIN EN 1253**  
(with 20 mm water over grate)

	Required	Dallmer
DN 50	0,8 l/s	0,8 l/s

ITEM	L 1	L 2	PART NO.
shower channel CeraLine vertical F, 500 mm		600 mm	521606
shower channel CeraLine vertical F, 600 mm		700 mm	521613
shower channel CeraLine vertical F, 700 mm		800 mm	521620
shower channel CeraLine vertical F, 800 mm		900 mm	521637
shower channel CeraLine vertical F, 900 mm		1000 mm	521644
shower channel CeraLine vertical F, 1000 mm		1100 mm	521651
shower channel CeraLine vertical F, 1100 mm		1200 mm	521668
shower channel CeraLine vertical F, 1200 mm		1300 mm	521675

Fire protection system 2 (Part No. 515025) applicable.

Options for CeraLine vertical F:

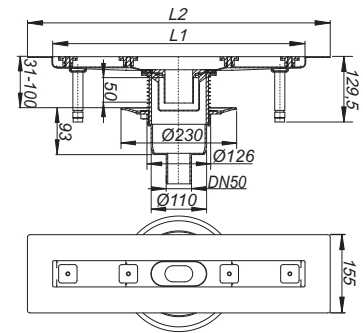
- Any made-to-measure length up to 1200 mm can be supplied.
- From 900 – 1200 mm, two traps can be also be fitted for 1.4 l/sec flow rate

Please enquire!

The outlet connector can be supplied in ABS to suit British Standard sizes and PE-HD conforming to DIN EN 1519. Please enquire.



shower channel CeraLine vertical F 500 – 1200



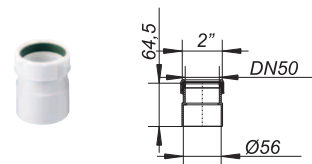
## DALLMER coupling

DN 50 compression joint with solvent weld socket BS 5255 2"

### MATERIAL

ABS

ITEM	DIMENSION	PART NO.
coupling	DN 50 x BS 2"	880727

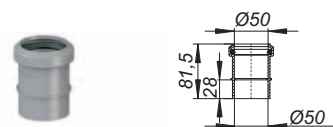


coupling

## DALLMER PVC pipe coupling

DN 50 PVC pipe coupling with solvent weld socket DN 50

ITEM	DN	PART NO.
PVC pipe coupling	DN 50	691125



PVC pipe coupling



# Shower channel CeraLine



## DALLMER shower channel CeraLine vertical F Duo

conforming to DIN EN 1253

Linear drainage, with two floor drain bodies CIRCO V with +/- 15 mm lateral adjustment, outlet DN 50/DN 70 vertical

### SPECIFICATION

- sound-insulated height adjustable levelling legs
- integral sand coated flange for secure bonding of under-tile waterproofing
- removeable trap insert, 50 mm water seal
- height adjustable screws for levelling the cover-plate
- temporary blanking plate
- tiling gauges
- edge trim jig

### MATERIAL

channel 304 stainless steel, drain body polypropylene;

**FLOW RATE TESTED TO DIN EN 1253**  
(with 20 mm water over grate)

	Required	Dallmer
DN 50	0,8 l/s	1,4 l/s

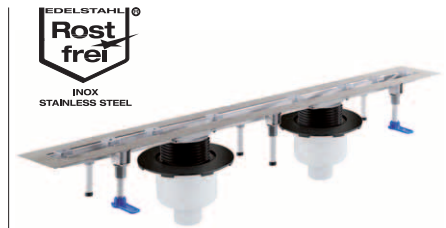
ITEM	L 1	L 2	L 3	PART NO.
shower channel CeraLine vertical F Duo, 1300 mm	1400 mm	500 mm	521682	
shower channel CeraLine vertical F Duo, 1400 mm	1500 mm	500 mm	521699	
shower channel CeraLine vertical F Duo, 1500 mm	1600 mm	600 mm	521705	
shower channel CeraLine vertical F Duo, 1600 mm	1700 mm	600 mm	521712	
shower channel CeraLine vertical F Duo, 1700 mm	1800 mm	700 mm	521729	
shower channel CeraLine vertical F Duo, 1800 mm	1900 mm	700 mm	521736	
shower channel CeraLine vertical F Duo, 1900 mm	2000 mm	800 mm	521743	
shower channel CeraLine vertical F Duo, 2000 mm	2100 mm	800 mm	521750	

Fire protection system 1 ( Part No. 515018) applicable.

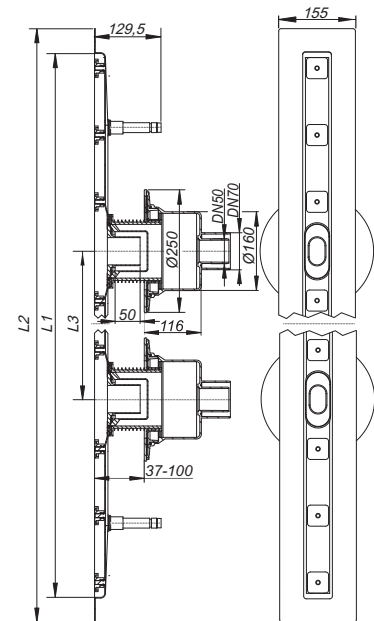
Options for CeraLine vertical F Duo:

Any made-to-measure length up to 2000 mm can be supplied. Please enquire!

The outlet connector can be supplied in ABS to suit British Standard sizes and PE-HD conforming to DIN EN 1519. Please enquire.



shower channel CeraLine vertical F Duo 1300 – 2000



# Shower channel CeraLine

## DALLMER cover plate CeraLine Standard

Cover plate for all CeraLine channels, suitable for all tile, stone finishes 2 – 16 mm (incl. adhesive), 40 mm wide

### MATERIAL

304 stainless steel, polished, load class K 3 (300 kg)

ITEM	LENGTH	PART NO.
cover plate CeraLine Standard	500 mm	520517
cover plate CeraLine Standard	600 mm	520524
cover plate CeraLine Standard	700 mm	520531
cover plate CeraLine Standard	800 mm	520548
cover plate CeraLine Standard	900 mm	520555
cover plate CeraLine Standard	1000 mm	520562
cover plate CeraLine Standard	1100 mm	520586
cover plate CeraLine Standard	1200 mm	520579
cover plate CeraLine Standard	1300 mm	524201
cover plate CeraLine Standard	1400 mm	524218
cover plate CeraLine Standard	1500 mm	524225
cover plate CeraLine Standard	1600 mm	524232
cover plate CeraLine Standard	1700 mm	524249
cover plate CeraLine Standard	1800 mm	524256
cover plate CeraLine Standard	1900 mm	524263
cover plate CeraLine Standard	2000 mm	524270



cover plate CeraLine Standard

## DALLMER cover plate CeraLine Standard, lockable

Cover plate for all CeraLine channels, lockable, suitable for all tile, stone finishes 2 – 16 mm (incl. adhesive), 40 mm wide

### MATERIAL

304 stainless steel, polished, load class K 3 (300 kg)



Integrated locking system

ITEM	LENGTH	PART NO.
cover plate CeraLine Standard, lockable	500 mm	526014
cover plate CeraLine Standard, lockable	600 mm	526021
cover plate CeraLine Standard, lockable	700 mm	526038
cover plate CeraLine Standard, lockable	800 mm	526045
cover plate CeraLine Standard, lockable	900 mm	526052
cover plate CeraLine Standard, lockable	1000 mm	526069
cover plate CeraLine Standard, lockable	1100 mm	526076
cover plate CeraLine Standard, lockable	1200 mm	526083
cover plate CeraLine Standard, lockable	1300 mm	526090
cover plate CeraLine Standard, lockable	1400 mm	526106
cover plate CeraLine Standard, lockable	1500 mm	526113
cover plate CeraLine Standard, lockable	1600 mm	526120
cover plate CeraLine Standard, lockable	1700 mm	526137
cover plate CeraLine Standard, lockable	1800 mm	526144
cover plate CeraLine Standard, lockable	1900 mm	526151
cover plate CeraLine Standard, lockable	2000 mm	526168



cover plate CeraLine Standard, lockable

# Shower channel CeraLine

## DALLMER cover plate CeraLine Design brushed finish

Cover plate for all CeraLine channels, suitable for all tile, stone finishes 5 – 19 mm (incl. adhesive), 40 mm wide

### MATERIAL

304 stainless steel, 3 mm veneer, brushed, load class K 3 (300 kg)

ITEM	LENGTH	PART NO.
cover plate CeraLine Design brushed finish	500 mm	520616
cover plate CeraLine Design brushed finish	600 mm	520623
cover plate CeraLine Design brushed finish	700 mm	520630
cover plate CeraLine Design brushed finish	800 mm	520647
cover plate CeraLine Design brushed finish	900 mm	520654
cover plate CeraLine Design brushed finish	1000 mm	520661
cover plate CeraLine Design brushed finish	1100 mm	520685
cover plate CeraLine Design brushed finish	1200 mm	520678
cover plate CeraLine Design brushed finish	1300 mm	524287
cover plate CeraLine Design brushed finish	1400 mm	524294
cover plate CeraLine Design brushed finish	1500 mm	524300
cover plate CeraLine Design brushed finish	1600 mm	524317
cover plate CeraLine Design brushed finish	1700 mm	524324
cover plate CeraLine Design brushed finish	1800 mm	524331
cover plate CeraLine Design brushed finish	1900 mm	524348
cover plate CeraLine Design brushed finish	2000 mm	524355

## DALLMER cover plate CeraLine Design brushed finish, lockable

Cover plate for all CeraLine channels, lockable, suitable for all tile, stone finishes 5 – 19 mm (incl. adhesive), 40 mm wide

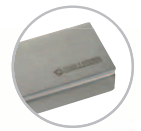
### MATERIAL

304 stainless steel, 3 mm veneer, brushed, load class K 3 (300 kg)

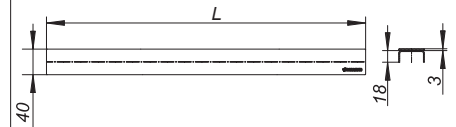


Integrated locking system

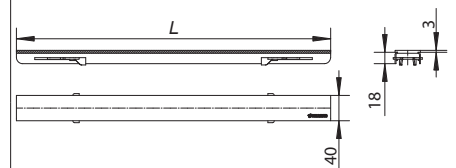
ITEM	LENGTH	PART NO.
cover plate CeraLine Design brushed finish, lockable	500 mm	526182
cover plate CeraLine Design brushed finish, lockable	600 mm	526199
cover plate CeraLine Design brushed finish, lockable	700 mm	526205
cover plate CeraLine Design brushed finish, lockable	800 mm	526212
cover plate CeraLine Design brushed finish, lockable	900 mm	526229
cover plate CeraLine Design brushed finish, lockable	1000 mm	526236
cover plate CeraLine Design brushed finish, lockable	1100 mm	526243
cover plate CeraLine Design brushed finish, lockable	1200 mm	526250
cover plate CeraLine Design brushed finish, lockable	1300 mm	526267
cover plate CeraLine Design brushed finish, lockable	1400 mm	526274
cover plate CeraLine Design brushed finish, lockable	1500 mm	526281
cover plate CeraLine Design brushed finish, lockable	1600 mm	526298
cover plate CeraLine Design brushed finish, lockable	1700 mm	526304
cover plate CeraLine Design brushed finish, lockable	1800 mm	526311
cover plate CeraLine Design brushed finish, lockable	1900 mm	526328
cover plate CeraLine Design brushed finish, lockable	2000 mm	526335



cover plate CeraLine Design brushed finish



cover plate CeraLine Design brushed finish, lockable



# Shower channel CeraLine

## DALLMER stainless steel polish

to clean and polish uncoated stainless steel covers

### SPECIFICATION

- 100 ml cleaner
- applicator
- buffing pad
- manual

ITEM	PART NO.
stainless steel polish	520494



stainless steel polish

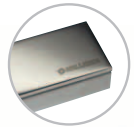
## DALLMER cover plate CeraLine Design stainless steel polished

Cover plate for all CeraLine channels, suitable for all tile, stone finishes 5 – 19 mm (incl. adhesive), 40 mm wide

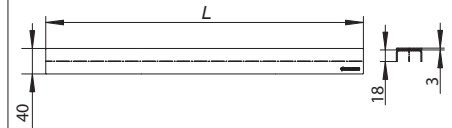
### MATERIAL

304 stainless steel, 3 mm veneer, mirror polished, load class K 3 (300 kg)

ITEM	LENGTH	PART NO.
cover plate CeraLine Design stainless steel polished	500 mm	523716
cover plate CeraLine Design stainless steel polished	600 mm	523723
cover plate CeraLine Design stainless steel polished	700 mm	523730
cover plate CeraLine Design stainless steel polished	800 mm	523747
cover plate CeraLine Design stainless steel polished	900 mm	523754
cover plate CeraLine Design stainless steel polished	1000 mm	523761
cover plate CeraLine Design stainless steel polished	1100 mm	523778
cover plate CeraLine Design stainless steel polished	1200 mm	523785



cover plate CeraLine Design stainless steel polished



## DALLMER cover plate CeraLine anthracite mat

Cover plate for all CeraLine channels, suitable for all tile, stone finishes 5 – 19 mm (incl. adhesive), 40 mm wide

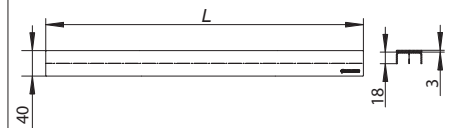
### MATERIAL

304 stainless steel, 3 mm veneer, load class K 3 (300 kg), colored PVD coated anthracite mat

ITEM	LENGTH	PART NO.
cover plate CeraLine anthracite mat	500 mm	527097
cover plate CeraLine anthracite mat	600 mm	527158
cover plate CeraLine anthracite mat	700 mm	527165
cover plate CeraLine anthracite mat	800 mm	527172
cover plate CeraLine anthracite mat	900 mm	527189
cover plate CeraLine anthracite mat	1000 mm	527196
cover plate CeraLine anthracite mat	1100 mm	527240
cover plate CeraLine anthracite mat	1200 mm	527257



cover plate CeraLine anthracite mat



# Shower channel CeraLine

## DALLMER cover plate CeraLine red gold mat

Cover plate for all CeraLine channels, suitable for all tile, stone finishes 5 – 19 mm (incl. adhesive), 40 mm wide

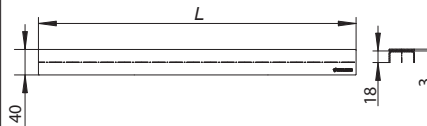
### MATERIAL

304 stainless steel, 3 mm veneer, load class K 3 (300 kg), colored PVD coated red gold mat

ITEM	LENGTH	PART NO.
cover plate CeraLine red gold mat	500 mm	527264
cover plate CeraLine red gold mat	600 mm	527271
cover plate CeraLine red gold mat	700 mm	527288
cover plate CeraLine red gold mat	800 mm	527295
cover plate CeraLine red gold mat	900 mm	527301
cover plate CeraLine red gold mat	1000 mm	527318
cover plate CeraLine red gold mat	1100 mm	527325
cover plate CeraLine red gold mat	1200 mm	527332



cover plate CeraLine red gold mat



## DALLMER cover plate CeraLine brass mat

Cover plate for all CeraLine channels, suitable for all tile, stone finishes 5 – 19 mm (incl. adhesive), 40 mm wide

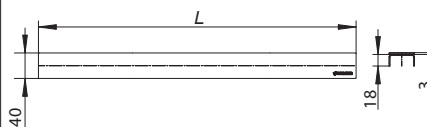
### MATERIAL

304 stainless steel, 3 mm veneer, load class K 3 (300 kg), colored PVD coated brass mat

ITEM	LENGTH	PART NO.
cover plate CeraLine brass mat	500 mm	527349
cover plate CeraLine brass mat	600 mm	527356
cover plate CeraLine brass mat	700 mm	527363
cover plate CeraLine brass mat	800 mm	527370
cover plate CeraLine brass mat	900 mm	527387
cover plate CeraLine brass mat	1000 mm	527394
cover plate CeraLine brass mat	1100 mm	527400
cover plate CeraLine brass mat	1200 mm	527417



cover plate CeraLine brass mat



# Shower channel CeraLine

## DALLMER cover plate CeraLine Individual

Cover plate for all CeraLine channels, with recess for customer's individual floor finish, suitable for all tile, stone finishes 16 – 30 mm (incl. adhesive), 40 mm wide

### MATERIAL

304 stainless steel, load class K 3 (300 kg)

ITEM	LENGTH	PART NO.
cover plate CeraLine Individual	500 mm	520715
cover plate CeraLine Individual	600 mm	520722
cover plate CeraLine Individual	700 mm	520739
cover plate CeraLine Individual	800 mm	520746
cover plate CeraLine Individual	900 mm	520753
cover plate CeraLine Individual	1000 mm	520760
cover plate CeraLine Individual	1100 mm	520784
cover plate CeraLine Individual	1200 mm	520777
cover plate CeraLine Individual	1300 mm	524362
cover plate CeraLine Individual	1400 mm	524379
cover plate CeraLine Individual	1500 mm	524386
cover plate CeraLine Individual	1600 mm	524393
cover plate CeraLine Individual	1700 mm	524409
cover plate CeraLine Individual	1800 mm	524416
cover plate CeraLine Individual	1900 mm	524423
cover plate CeraLine Individual	2000 mm	524430



cover plate CeraLine Individual

## DALLMER cover plate CeraLine Glass black

Cover plate for all CeraLine channels, suitable for all tile, stone finishes 8 – 22 mm (incl. adhesive), 40 mm wide

### MATERIAL

304 stainless steel with glass insert black

ITEM	LENGTH	PART NO.
cover plate CeraLine Glass black	500 mm	523419
cover plate CeraLine Glass black	600 mm	523426
cover plate CeraLine Glass black	700 mm	523433
cover plate CeraLine Glass black	800 mm	523440
cover plate CeraLine Glass black	900 mm	523457
cover plate CeraLine Glass black	1000 mm	523464
cover plate CeraLine Glass black	1100 mm	523471
cover plate CeraLine Glass black	1200 mm	523488



cover plate CeraLine Glass black

# Shower channel CeraLine

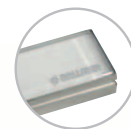
## DALLMER cover plate CeraLine Glass white

Cover plate for all CeraLine channels, suitable for all tile, stone finishes 8 – 22 mm (incl. adhesive), 40 mm wide

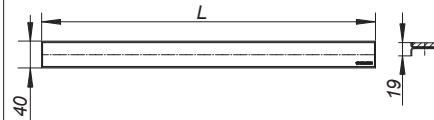
### MATERIAL

304 stainless steel with glass insert white

ITEM	LENGTH	PART NO.
cover plate CeraLine Glass white	500 mm	523518
cover plate CeraLine Glass white	600 mm	523525
cover plate CeraLine Glass white	700 mm	523532
cover plate CeraLine Glass white	800 mm	523549
cover plate CeraLine Glass white	900 mm	523556
cover plate CeraLine Glass white	1000 mm	523563
cover plate CeraLine Glass white	1100 mm	523570
cover plate CeraLine Glass white	1200 mm	523587



cover plate CeraLine Glass white



## DALLMER natural stone kit CeraLine

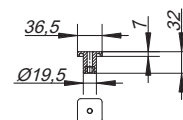
2 nos. pedestals, extra long for installation/height adjustment of CeraLine cover plate in floors with thicker finishes, e.g. natural stone

CeraLine	kits needed	Combination with cover plate CeraLine	height adjustable
500 – 600	2	Standard	15 – 29 mm
700 – 1000	3	Design	18 – 32 mm
1100 – 1200	4	Glass	21 – 35 mm
1300 – 1700	5	Teak	21 – 35 mm
1800 – 2000	6	Individuell	29 – 43 mm

ITEM	PART NO.
natural stone kit CeraLine built until July 2013	520913
natural stone kit CeraLine	523976



natural stone kit CeraLine built until July 2013



## DALLMER adjustable pedestals

Standard height pedestals (supplied x 2), available as spare parts

CeraLine	kits needed
500 – 600	2
700 – 1000	3
1100 – 1200	4
1300 – 1700	5
1800 – 2000	6

ITEM	PART NO.
adjustable pedestals built until July 2013	521019
adjustable pedestals	523983



adjustable pedestals built until July 2013



# Shower channel CeraLine

## DALLMER Service device CeraLine

for easy removing of all CeraLine covers as well as locking and unlocking of the lockable types

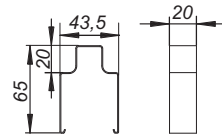
### MATERIAL

304 stainless steel

ITEM	PART NO.
Service device CeraLine	521088



Service device CeraLine



## DALLMER sound-insulating pad CeraLine

for use with floor channel CeraLine.

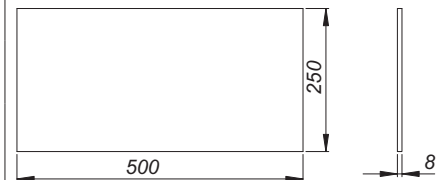
Tested to conform to DIN 4109/VDI 4100, certificate P BA 221/2008 (CeraLine).

ITEM	DIMENSION	PART NO.
sound-insulating pad CeraLine	500 x 250 mm	520869

Channels 1300 - 2000 needs two sound-insulating pads CeraLine.



sound-insulating pad CeraLine



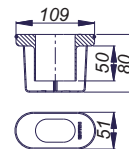
## DALLMER trap insert CeraLine as of 2009

spare part for shower channels CeraLine as of 2009

ITEM	PART NO.
trap insert CeraLine as of 2009	520845



trap insert CeraLine as of 2009



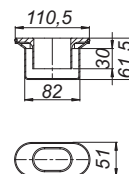
## DALLMER trap insert CeraLine Plan

spare part for shower channels CeraLine Plan

ITEM	PART NO.
trap insert CeraLine Plan	520852



trap insert CeraLine Plan



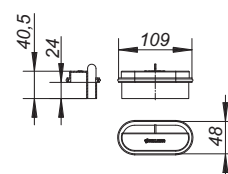
## DALLMER trap insert CeraLine Nano

spare part for shower channels CeraLine Nano

ITEM	PART NO.
trap insert CeraLine Nano	521774



trap insert CeraLine Nano





# Shower channel CeraLine

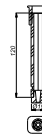
## DALLMER levelling kit CeraLine

Two sound absorbing threaded levelling legs with mounting parts for floor channels CeraLine, drain bodys and collars CeraDrain as well as drain body CeraNiveau.

ITEM	PART NO.
levelling kit CeraLine	521033



levelling kit CeraLine



## DALLMER drain body CeraLine as of 2009, DN 50

drain body CeraLine as of 2009

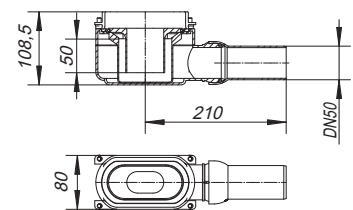
FLOW RATE TESTED TO DIN EN 1253  
(with 20 mm water over grate)

	Required	Dallmer
DN 50	0,8 l/s	0,8 l/s

ITEM	DN	PART NO.
drain body CeraLine as of 2009	DN 50	520692



drain body CeraLine as of 2009



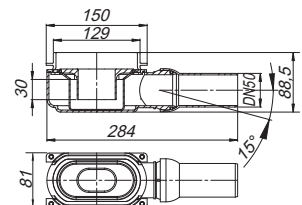
## DALLMER drain body CeraLine Plan, DN 50

drain body CeraLine Plan

ITEM	DN	PART NO.
drain body CeraLine Plan	DN 50	520791



drain body CeraLine Plan



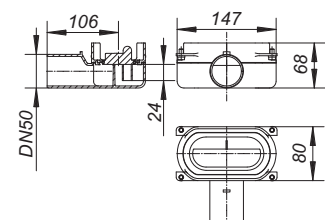
## DALLMER drain body CeraLine Nano, DN 50

drain body CeraLine Nano

ITEM	DN	PART NO.
drain body CeraLine Nano	DN 50	521767



drain body CeraLine Nano





# What is included in our offer?

*100 years of DALLMER  
50 years of drainage technology  
25 years experience with bonded waterproofing*



A promise which you can extend to your customers

The specification clauses for your next project are ready and waiting

With our partners "ausschreiben.de" and "heinze.de", we enable you to compile the specification clauses for our products in a quick and user-friendly manner. Why not find out more at [dallmer.de/de/services](http://dallmer.de/de/services)

Stay up-to-date:  
Interesting seminars for installers

What's new? What will I learn? How do I obtain further qualifications? Take a look at [dallmer.de/seminare](http://dallmer.de/seminare). Here you will find an overview of our seminar topics. For news on upcoming events contact +49 800 3255637 or +44 1787 248244.



The new Dallmer app for professionals

Our new Dallmer app is ideal for all those who work in building services. It not only offers architects, planners, installers, clients and property owners detailed product information, but also includes a range of useful additional functions.

These include:

- Assembly instructions
- Installation videos
- Catalogues/brochures
- Attractive images
- Search tool and barcode scanner
- News and product innovations

We are here for you:  
The DALLMER service hotline

+49 2932 96160 or our British specialist team on +44 1787 248244.

Monday to Thursday: 7.15 a.m. to 5 p.m.,  
Friday: 7.15 a.m. to 2 p.m.

Dallmer GmbH + Co. KG  
Wiebelsheidestraße 25  
59757 Arnsberg  
Germany

T +49 2932 9616-0  
F +49 2932 9616-222  
E [info@dallmer.de](mailto:info@dallmer.de)  
W [www.dallmer.de](http://www.dallmer.de)  
[www.cerawall.de](http://www.cerawall.de)

Dallmer Ltd.  
4 Norman Way  
Lavenham, Sudbury  
Suffolk CO10 9PY  
Great Britain

P +44 (0) 1787 248 244  
F +44 (0) 1787 248 246  
E [info@dallmer.com](mailto:info@dallmer.com)  
W [www.dallmer.com](http://www.dallmer.com)  
[www.cerawall.com](http://www.cerawall.com)