



Barrial[®] free-standing premium

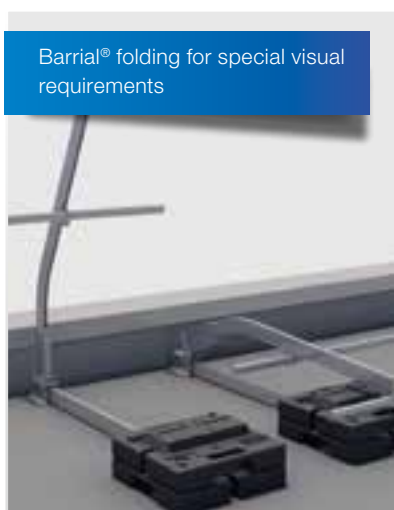
Aluminium height-adjustable edge protection for flat roofs without public access



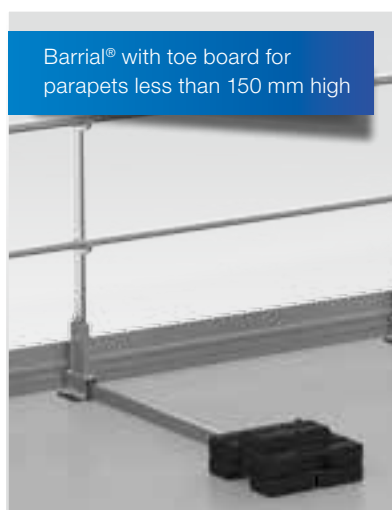
Barrial® free-standing – tried and trusted for more than 15 years with renowned references all over Europe



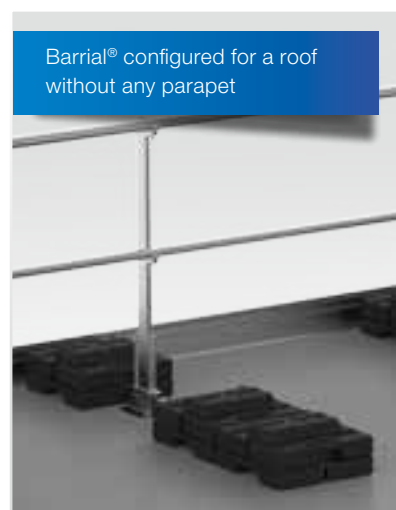
Barrial® free-standing – the ideal solution for every situation on a flat roof



The special folding mechanism allows quick and easy operation.



A toe board is required if a roof parapet is not present or is extremely low, with a height of less than 150 mm.



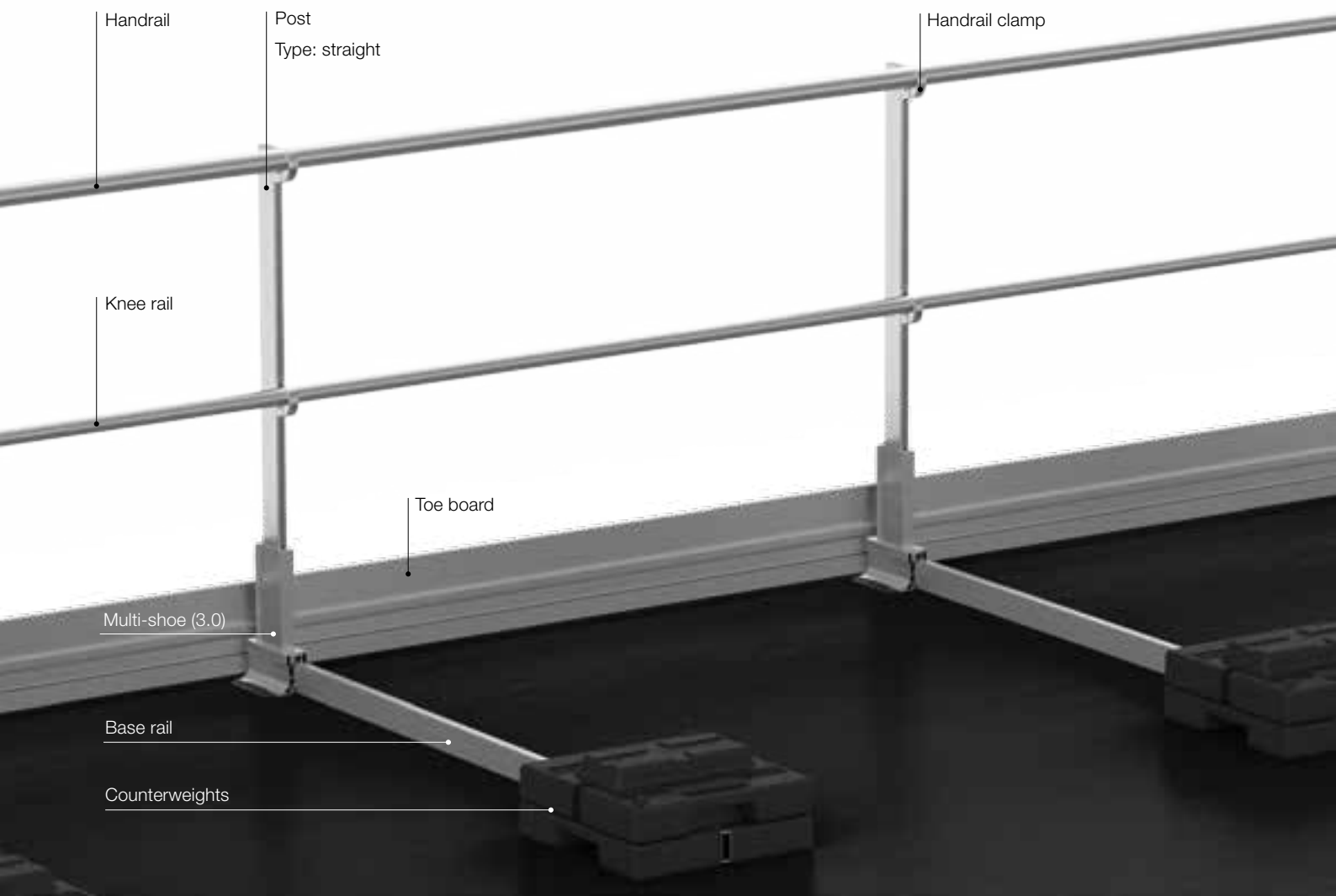
The free-standing variant can be used in special cases, including in the absence of a parapet at all.

Adjustable in height, high quality and ergonomic



- ✓ Height adjustment up to 300 mm
- ✓ Folding variation
- ✓ Use also without a parapet
- ✓ Penetration-free
- ✓ Eliminates thermal bridging
- ✓ No sound transmission
- ✓ No issues related to warranty
- ✓ Functional design
- ✓ Rapidly assembled due to off-site fabrication

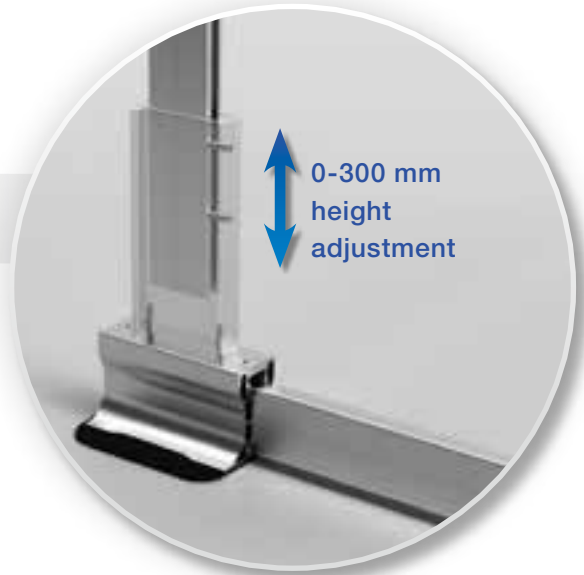
System components



The advantages at a glance

Multi-shoe (3.0) with height adjustment function

- + Height adjustment between 0 and 300 mm possible (larger heights on request)
- + Variable counterweight configurations available to optimise stability
- + Receiving rib for simple installation of the toe board with a quick fix connector



Available options

Counterweights

- + Counterweights made of 100% recycled PVC with a 10-year guarantee
- + CO₂-neutral
- + Can be drilled, screwed, milled and cut
- + UV- and weather-resistant
- + Material compatible with all common commercially available sealing membranes
- + Recessed handles for safe transport and high carrying comfort
- + Space-saving and stackable
- + Flexible positioning and load distribution in 12.5 kg increments
- + Simple fixing of the weight to the base rail by means of a self-drilling screw

Folding variant

- + Special adapter pre-assembled at the factory
- + Easily assembled via modular construction
- + Folding mechanism for special architectural or technical requirements
- + Segment lengths of up to 6 m



Practical handrail installation

- + Rapid installation by means of a clamp pre-assembled at the factory
- + No scratching of the profiles during installation
- + Easy alignment without disassembly
- + Simple opening and closing with a single tool
- + Various different handrail sizes possible

Tested and certified

Barrial free-standing lateral protection systems are tested and certified in static tests according to European standards **EN ISO 14122-3** and **EN 13374 class A**.



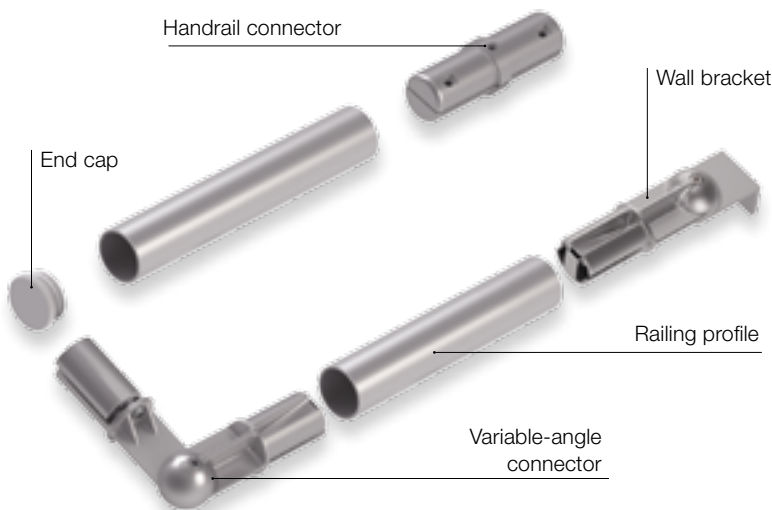
Barrial guarantee

We prove reliable and long-lasting **Barrial quality** with a **10-year guarantee**.



Practical accessories

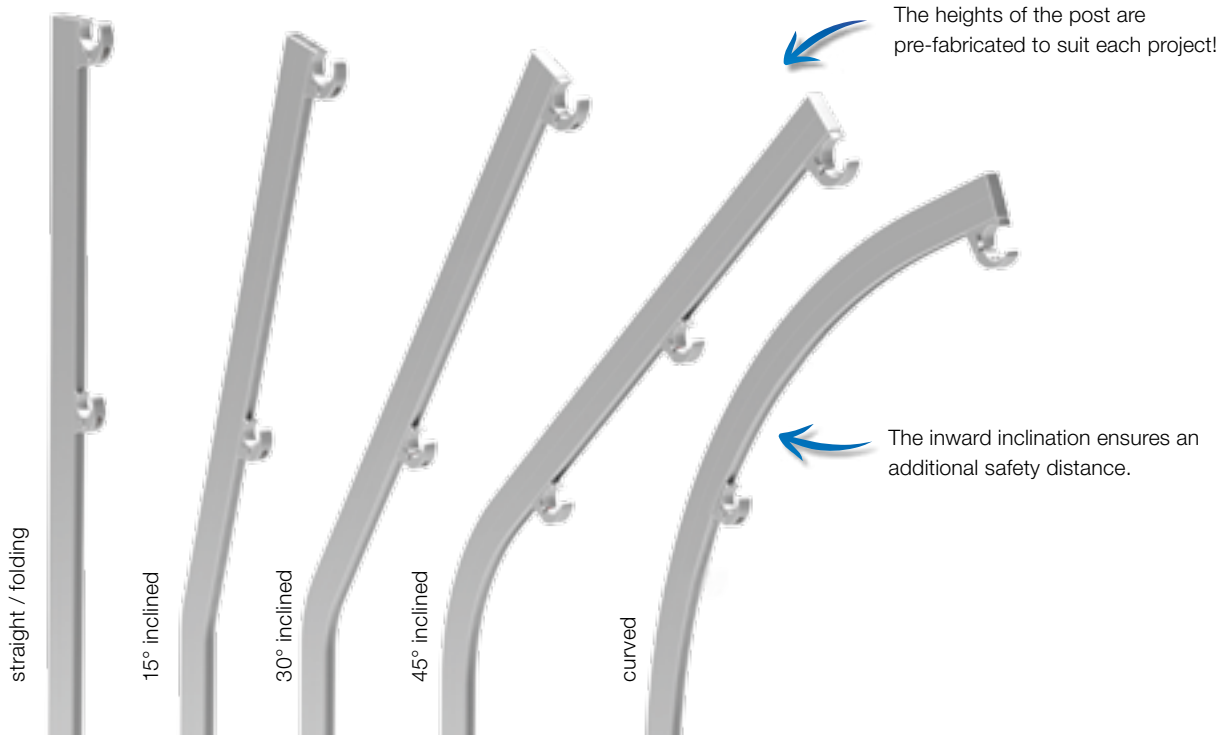
- + Connecting components such as handrail connectors, angle connectors and wall brackets with expansion mechanism
- + Rapid installation without drilling or riveting



Wide variety of colours

The Barrial system is very slender in appearance and blends particularly well into the building architecture in powder coated finish (a choice of 250 RAL colours).

Post options



An impressive service

Comprehensive, competent support from planning to the execution stage - dani alu accompanies you in all phases of your project:

- Safety analysis
- Clarification of technical details
- Proposal of appropriate solutions
- Site assistance
- Made-to-measure delivery with layout plan
- Technical support during assembly
- Supportive project management



Barrial® – versatile handrail system



© 05/2017 dani alu • Subject to modifications

dani alu France
Phone: 0033 478 878 973
E-mail: export@danielu.com
www.danielu.com

dani alu Germany
Phone: 0049 6021 453 020
E-mail: post@danielu.de
www.danielu.de

dani alu Austria
Phone: 0043 650 6500 000
E-mail: post@danielu.at
www.danielu.info

dani alu United Kingdom
Phone: +44(0) 1865 59160
E-mail: contact@danielu.co.uk
www.danielu.uk