



**150**  
YEARS

**BOON EDAM**  
YOUR ENTRY EXPERTS.

**DUOTOUR.**

---

THE **SLIDING AND ROTATING COMBO** REVOLVING DOOR



## CLICKABLE.

Make the most of your experience within this brochure, and hover your mouse over words and pictures to get deeper insights and inspiration. (pdf version only)

## OVERVIEW

The Duotour rotating door combines the best of both worlds by incorporating two automatic sliding or swinging doors in its design. At peak times or in order to allow passage to trollies or beds, the function of the Duotour can be switched from the automatic rotating door setting to automatic sliding or swinging doors ensuring maximum capacity and ease of movement.

The entrance needs to fit the building's criteria on three key areas: sustainability, security and service. However the entrance requires a fourth element: great design.

The advantage of revolving doors is that they save energy while facilitating a continuous flow of people.

## SAFETY AND SECURITY ARE IMPORTANT

Security in an entry has two different aspects: the security of the building and the safety of its users. The Duotour complies with the strictest safety regulations.

Safety Sensors in the door wings and in the frame ensure that the door responds to users and objects, minimising, or even preventing, impact with the user. The door behaviour can be customised to suit your building's requirements. Such requirements could be based on your priority for safety or throughput taking into account various user groups ranging from professionally trained users to locations where people with special needs form a large part of the user profile such as children and elderly people.

## A SUSTAINABLE SOLUTION

Revolving doors are the most energy-efficient entrance solutions available today. The always open, always closed principle of a revolving door ensures that the conditioned inside air and the unconditioned outside air remain separated, preventing draught, dust and noise from coming into the building. As less energy is required to maintain the conditioned climate inside the building, revolving doors help reduce the carbon footprint of a building and save both energy and cost.

The same effect can be reached by installing a draught lobby but for draught lobbies with conventional sliding or swinging doors to be truly effective, the entrance and exit doors of the lobby can never be open at the same time.

### We offer the following additional safety measures:

- Accessibility buttons
- Visual signage on the door wings and curved walls to ensure the accessibility of our doors for all user groups.
- CE plus package

The front entrance to a public building should also include security options. Our revolving door security options allow for an added layer of protection.

### We offer the following additional security measures:

- Mechanical locking
- Remote locking
- Access control options

## ESCAPE ROUTE

Safety standards introduced in 2013 prescribe that in order for a door to be suitable as an escape route, it must offer the possibility to be opened to create a free egress path at all times. As the shape and the rotating motion of the Duotour prevent this from being possible, it is not suitable as an official escape route and it cannot be integrated in the escape route plan. However the sliding or swinging doors in the centre of the door set have the functionality to open upon a signal from the building management system. This provides extra user comfort in egress situations as well as a means for smoke discharge and air replenishment.

## KEY FEATURES

- 2-Wing configuration with integrated swing or automatic sliding doors
- Automatic operation
- Large segment sizes
- Large selection of dimensions
- Speed control
- Night-locking options

## PUT YOUR STAMP ON IT

The Duotour is available in a wide variety of colours and finishes and, like the Tournex, offers the option of including showcases on the door wings. Located on both ends of the door wings, these showcases can be used to bring the visitor into the mood and setting of your building.

Our revolving doors are available in a wide variety of heights and widths with different canopy heights and heights under canopy, ensuring that many design wishes can be solved with one of our standardised products. If your design falls outside the options that are available, our sales managers and engineers will work with you to create a safe and sustainable entrance that meets all requirements.

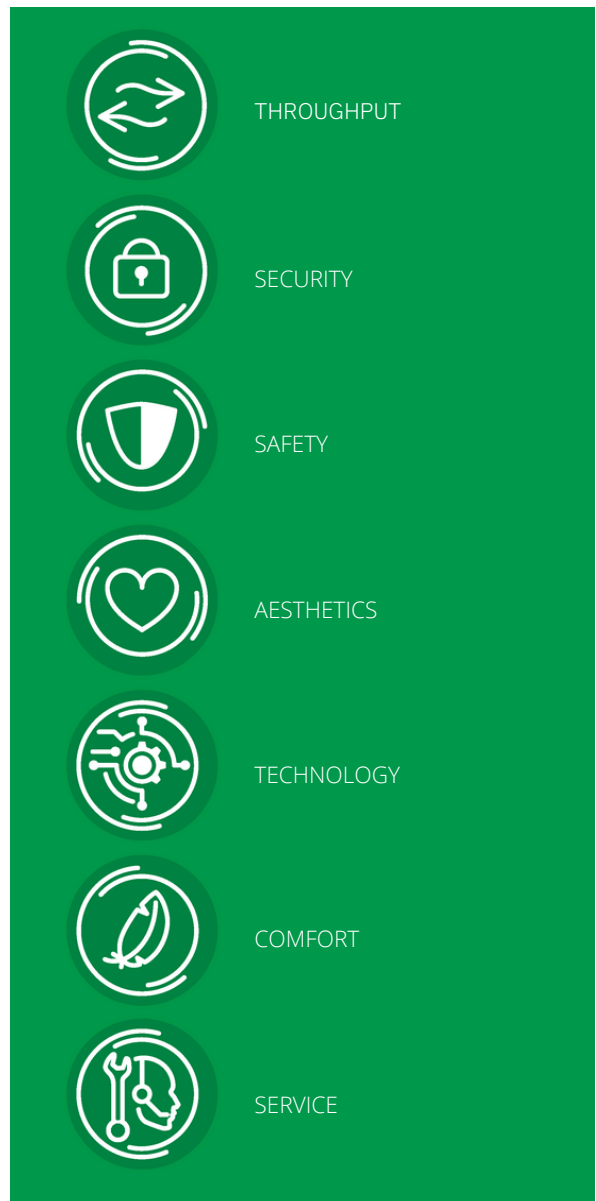
## KEY BENEFITS

- Handles high capacity throughput
- Relatively small footprint
- Sophisticated visitor channel flow
- Good ROI
- Highly customisable

## SUGGESTED SEGMENTS

- Corporate
- Governmental
- Retail
- Restaurants and hospitality
- Airports
- Hospitals
- Hotels

**You can level up in any of these categories:**



# LEVEL UP



If our standard specifications do not quite suit your needs, we open up opportunities for you to 'Level Up' where it counts most. You can also do this according to your most motivating value driver.

The specification table shows you our standard product options, and to the right of these, you can easily see, and consider, any compatible 'Level Up' options for fine-tuning the Duotour.

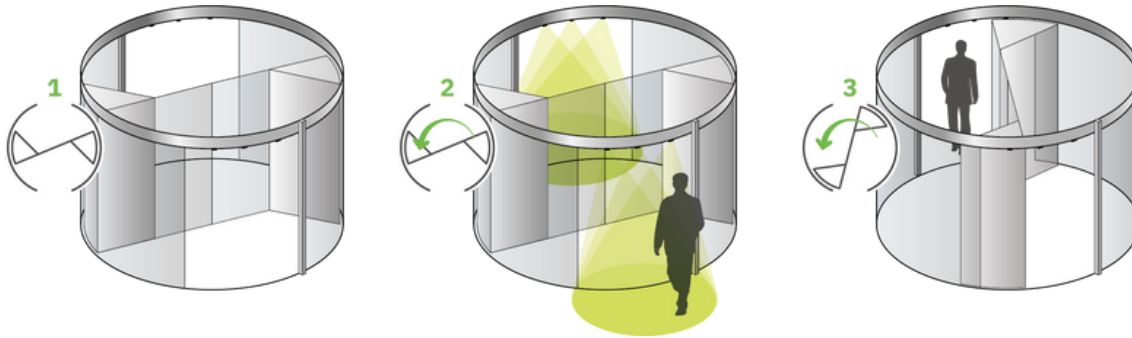


## TECHNICAL SPECIFICATIONS

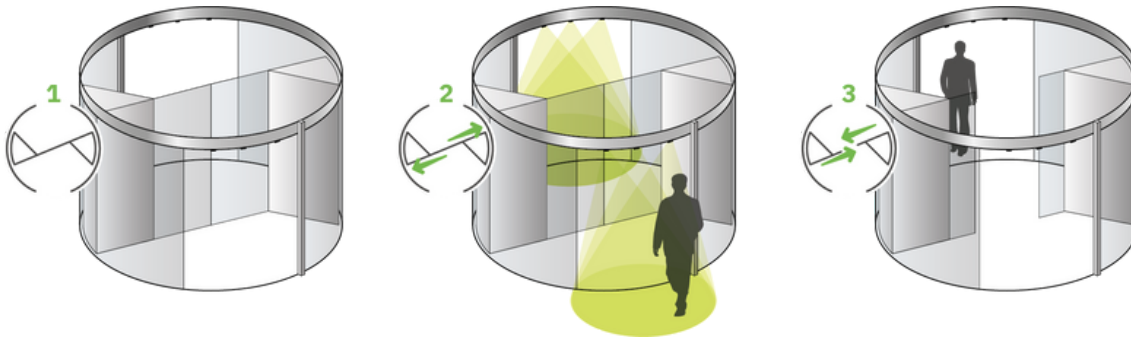
 THROUGHPUT	MOST POPULAR	VARIATIONS
Throughput	2 x 54 People per minute	2 x 40 - 2 x 59 People per minute
Diameter	3600 mm	Available as standard between 3600 - 5400 mm in increments of 600mm
Height Under Canopy	2200 mm	Available as standard between 2200 - 2600 mm
Canopy Height	300 mm	Available as standard between 300 - 600 mm
Throat Opening	2254 mm	Available between 1654 - 2554 mm
Number of Doors / Wings	2	-
 SECURITY	MOST POPULAR	VARIATIONS
Night-locking	Manual-locking door set	External or internal night-locking doors
Controllable Locking	Security lockdown	-
Protection Level	Vandal resistant safety glass P2A	RC3 Burglar protection package
 SAFETY	MOST POPULAR	VARIATIONS
Safety Packages	CE Basic	CE Plus / DIN 18650 / UKCA / ANSI / Chinese standard
Drive Unit	Drive with speed control and block detection	-
Escape Route	-	-
Fire Alarm	Connection prepared in control system	-
 AESTHETICS	MOST POPULAR	VARIATIONS
Finish	Powder coated aluminium	Anodic coated aluminium Stainless steel cladding brushed / mirror
Glass	Glass decals	Tinted and low iron glass options
Canopy	Extruded solid canopy	Glass roof 18 mm Canopy cover material options
Ceiling	Coordinated colour, material and finish	Alternative colour, material and finish
Door Handles	-	Vertical Ø40 mm
Floor Mat and Trim	Floor mounted	Matwell trim Floor mat
 TECHNOLOGY	MOST POPULAR	VARIATIONS
Drive	Drive unit in canopy	-
Door Control	Control panel on door	Control panel external Door connected to BMS
 COMFORT	MOST POPULAR	VARIATIONS
Accessibility	-	Push-button temporary low speed
Lighting and Sound	LED's 14	Custom LED's / lighting Voice module
Climate Control	Genuine horse hair brushes with EPDM interlayer	Air curtain options
Activation	Motion sensors Welcome mode - idle speed	BoonAssist with assist and positioning Convenient out-of-hours entry

For more variations, to suit your project even further, please contact your entry expert.

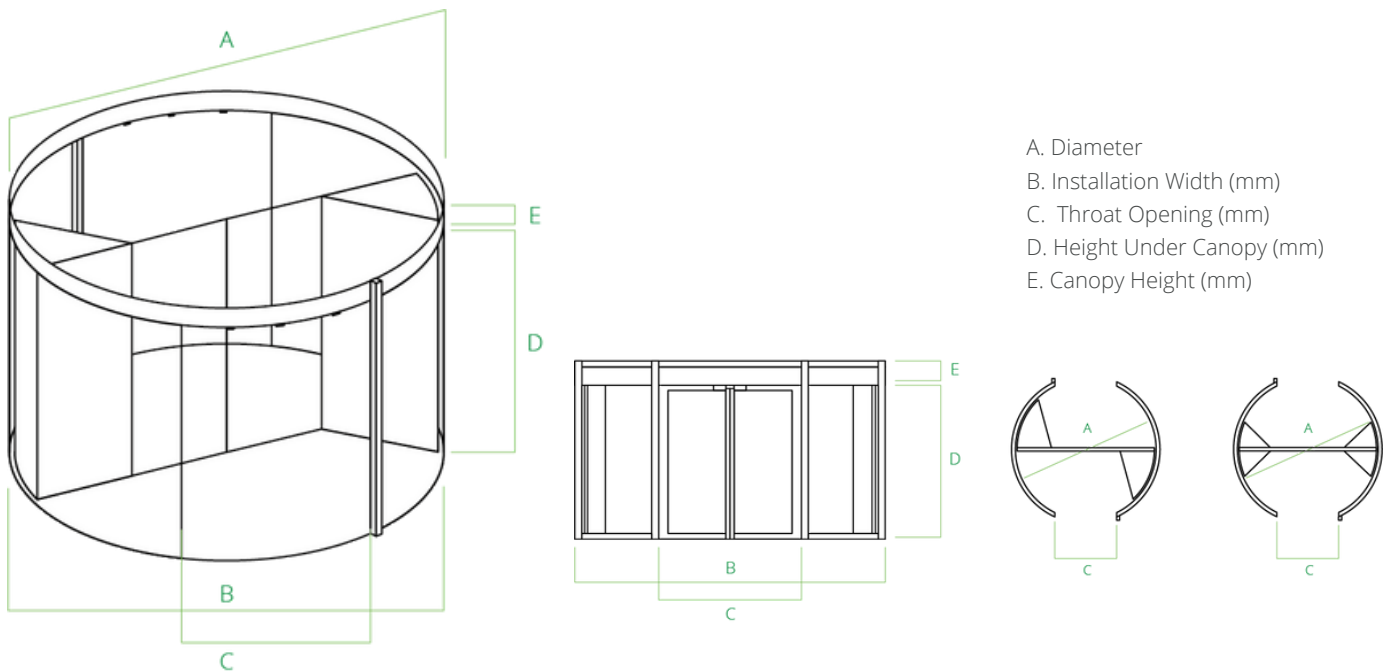
## 6 WORKING PRINCIPLE - REVOLVING MODE

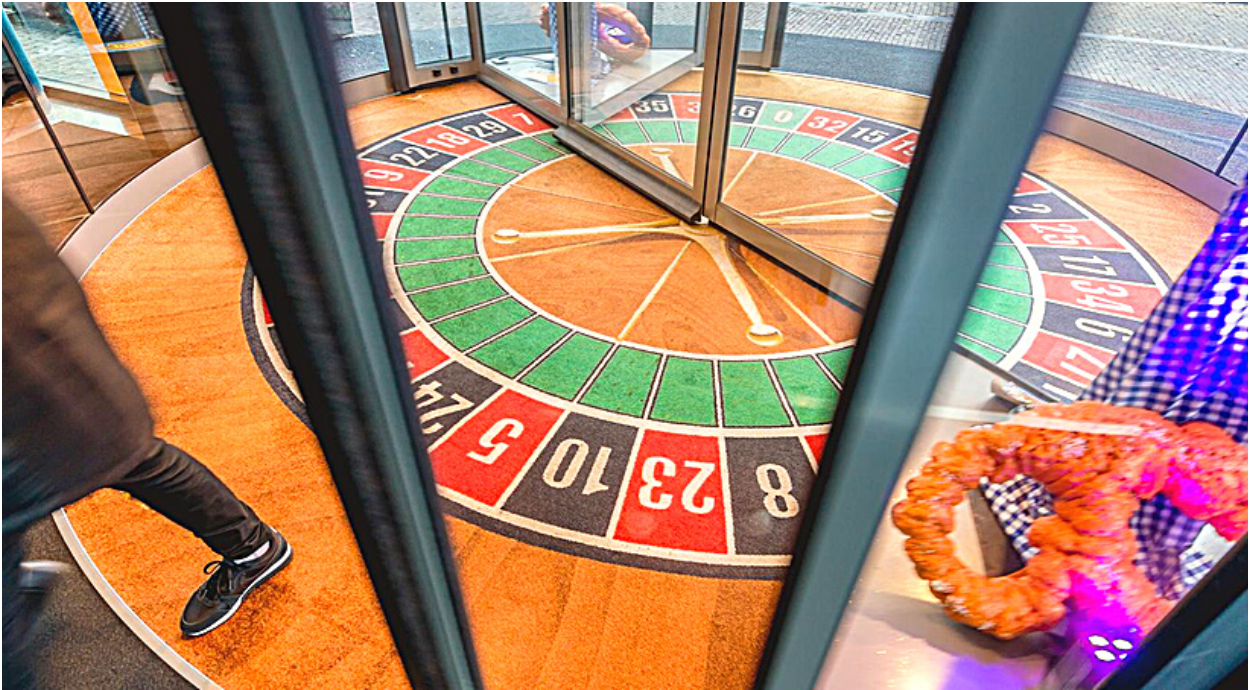


## WORKING PRINCIPLE - SLIDING MODE



## TECHNICAL DIMENSIONS





## SERVICE AND MAINTENANCE

With hundreds of thousands of visitors passing through an entry every day, continued and reliable operation is vital. Regular service and maintenance can prevent unexpected hardware breakdowns. Boon Edam's service and maintenance teams across the world are experienced in the effects the local conditions have on the wear and tear of your entry solutions and can offer specialised service and maintenance contracts that correspond to those conditions perfectly.

## COMPLIANCE

Boon Edam entrances are trusted solutions that allow organisations to meet compliance regulations related to restricting access to areas within a building. We take compliance and safety very seriously and ensure that our products are manufactured, installed and maintained to keep up with the strict criteria required in all our countries. We are always improving and committed to making sure our products are compliant and certified. More information can be found on our website under 'About Us'.

### The Duotour complies with the following European standards:

- Machine Directive 2006/42/EC
- EMC Directive 2014/30/EC
- RoHS Directive 2011/65/EU
- EN16005 - Safety in use for power pedestrian doors
- EN1627 – Burglar-resistant package
- EN356 – Glass specification



# OUR REACH IS GLOBAL.

---

We have been in business for 150 years, manufacturing premium aesthetic and security entrance solutions in The Netherlands, the United States of America and China. We can confidently say that we cover every corner of the globe with subsidiary companies in major cities across the globe. Furthermore our global export division not only partner with our distributors, but also offer direct sales and service to every territory. This wide net allows us to have a strong global footprint and a personal grasp of local markets and their unique entry requirements.

To find your closest Boon Edam expert, please go to:  
[www.boonedam.co.uk/contact](http://www.boonedam.co.uk/contact)



**Boon Edam Limited**  
T 01233 505 900  
E [uk.contact@boonedam.com](mailto:uk.contact@boonedam.com)  
I [www.boonedam.co.uk](http://www.boonedam.co.uk)

V1-2212

  
**BOON EDAM**  
YOUR ENTRY EXPERTS.