



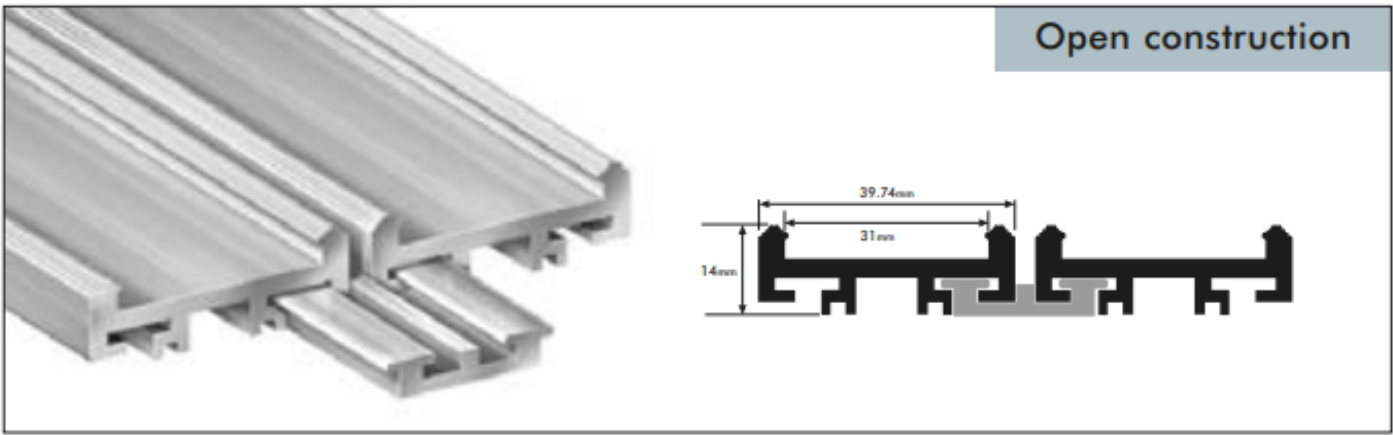
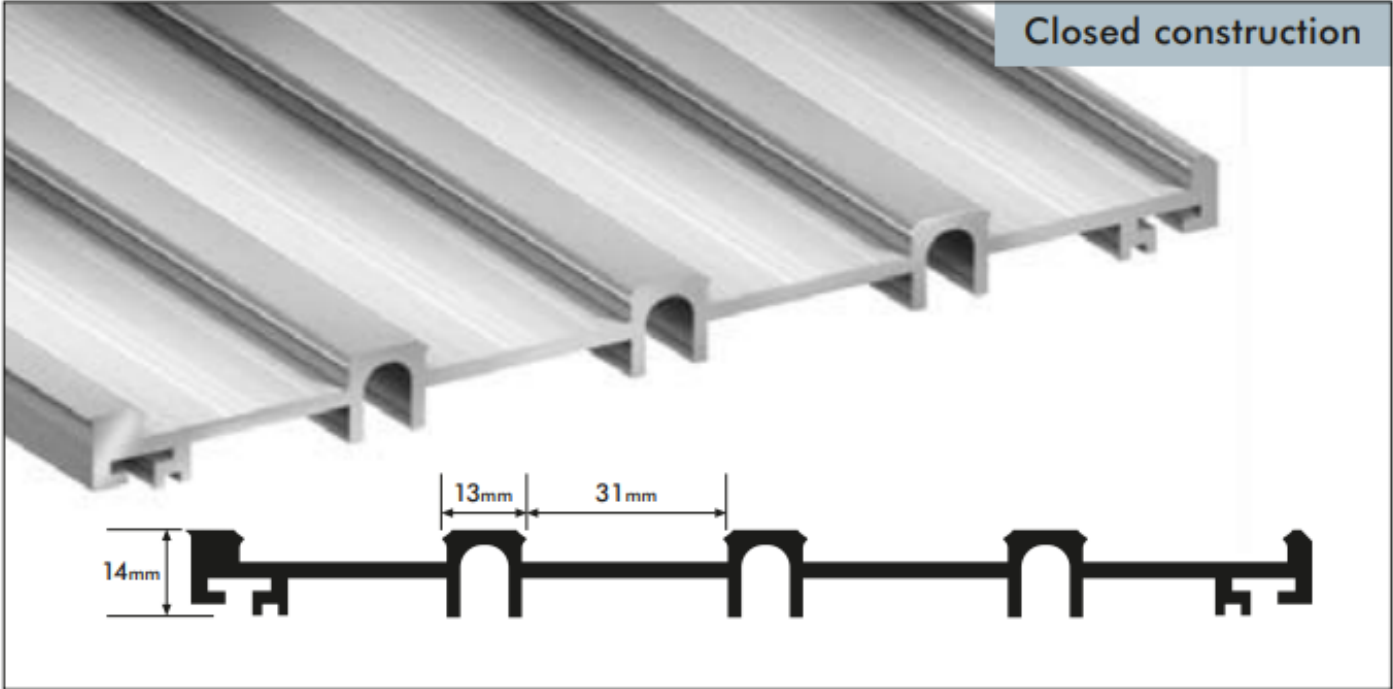
Jaymart

ALLIGATOR Rib Aluminium Entrance Matting Information & Specification

Designed for optimal moisture absorbency of dirt and moisture with an attractive aluminium profile for prestigious and very heavy duty applications with superior appearance using a hard wearing thick set Ribbed JAY RIB insert.

For Internal applications.

ALLIGATOR Rib Aluminium Entrance Matting System



Description

A matting consisting of strips of very heavy duty thick set ribbed Polypropylene, UV and rot resistant carpeting secured between rigid silver aluminium scraper bars. Designed for indoor use in shops, public buildings, schools, offices, hotels, leisure centres, train stations, bus stations and hospitals.

The matting can be supplied in virtually any size or shape but, for reasons of safe handling, it is recommended that mat sections, which can be butted together, do not exceed 2m².

The Panels interconnect on the front and back panel, the panels on the left to right can make up required by butting panels side by side. The Jaymart system allows for perfect rib alignment without the need for T Bars.

Alligator Rib is 17 mm mm thick and available in colours detailed below, ether in single or combined colours.

Consult Jaymart Rubber & Plastics Ltd technical literature for details of the finishes available.

Jaymart Rubber & Plastics Ltd can also provide a design and specification service and it is recommended that they be consulted early in the design process.



Alligator Rib Complies with BS 8300 - 2:2018 for an inclusive and accessible environment
Wheel Chair Friendly



100% Recycled Aluminium



Proudly Manufactured in The UK

**17mm
Gauge**

ALLIGATOR Rib Specification

Typical Specification

N10

General Fixtures/ Furnishings/ Equipment

300

Entrance Matting

40

Miscellaneous Fittings

Application

Internal High Traffic Areas **(Step 2)**

DDA Compliant can be used in conjunction with wheelchairs and shopping trolleys.

Closed and Open Construction Heel Safe

Aluminium Finishes Available

Standard Mill Finish & Anodised Finishes (Special Order)

Composition

Made from 100% Recycled Aluminium

Thickness/ Depth

17 mm

Weight

15 Kg per m²

Construction

Closed and open construction Interlocking Panel System

Pile Type

100% very heavy duty polypropylene thick set ribbed carpeting (quick drying and UV resistant JAY RIB Matting)

Warranty/ Guarantee

10 Year Subject to correct Maintenance and Cleaning procedures being carried out

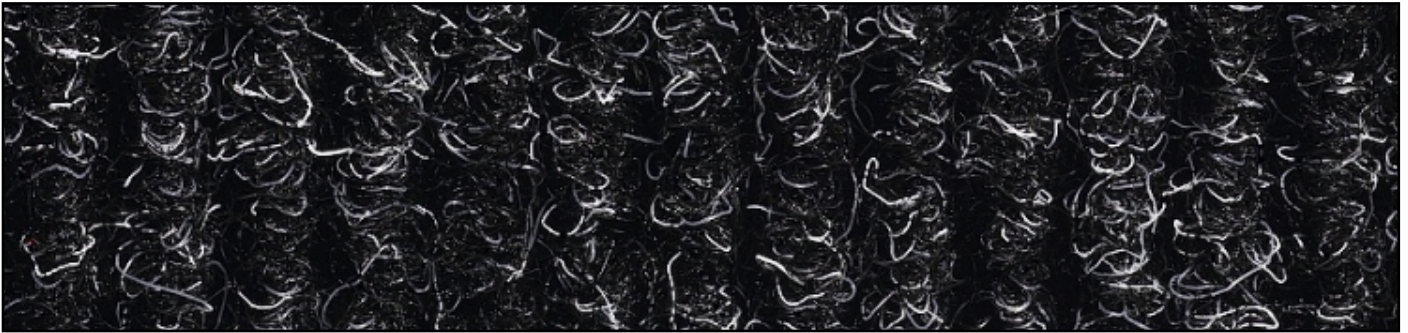
Slip Rating

>PTV 36

Colours Available

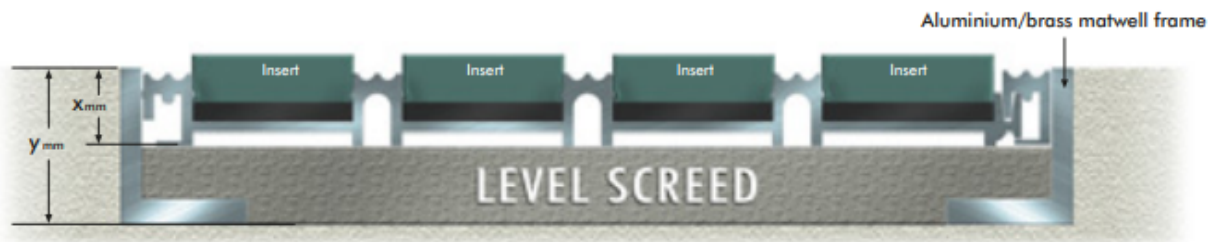


Tan (05)

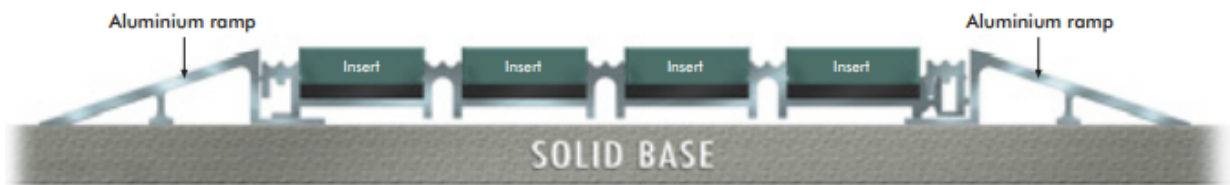


Anthracite (50)

Recessed Installation



Surface Installation



Manufacturer

Jaymart Rubber & Plastics Ltd

Roman Way Crusader Park Warminster Wiltshire BA12 BSP

Tel: 01985 218997 Fax: 01985 217417

email : sales@jaymart.co.uk Web: www.jaymart.co.uk

JAY RIB Specification

Jay Rib Specification

Manufacturing Process

Needle punch ribbed pile floor covering

ISO 2424

Surface Aspect

Heavy Gauge Fine Rib

Pile Yarn Composition

100% Polypropylene

Backing

WB

ISO 2424

Total Weight

2080 g/m² +/-15%

ISO 8543

Total Height

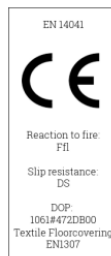
10mm

ISO 1765

Flammability

Efl

EN13501-1





Our 4 step process to a cleaner environment

Step 1

The best way to keep your premises clean is to stop dirt from even getting through the front door. Effective exterior matting scrapes clean and wipes dry, leaving the worst dirt and grit outside, and allowing subsequent interior matting to clean even better.

Step 2

Working in a similar way to exterior matting, this is similarly tough and durable matting that carries on the work to remove the last of the most damaging soil and grit, and continue the drying process.

Step 3

With the worst of the damp and debris now dealt with, secondary internal matting is a high-specification, high-performance product that finishes the dusting and drying.

Step 4

The foyer is one of the highest traffic areas in your building so, however effective your entrance matting, easy to clean, highly durable and attractive carpet that always looks its best will help you make a great first impression – every time.

Jaymart

Key Features

- They trap up to 90% of dirt and moisture, therefore reducing cleaning costs and use of harmful cleaning chemicals
- They help to protect the expensive floor finishes reducing the amount sent to landfill..
- The panel construction, which allows for rib alignment between panels, renders them stronger than wired construction types which can snap or bend. This also facilitates replacement of insert strips in the unlikely event of damage or desire to change colour scheme. Leading to a useful lifespan of 30 years when refurbished.
- This also allows for more elaborate designs to be incorporated if required.
- The Insert materials can be customised to maximise performance of the product and if required to make a statement upon entering the building.
- Logos can easily be incorporated into the mat at very reasonable costs.
- They can be surface mounted or installed in a recessed matwell.
- The mats incorporate 100% Recycled Aluminium and are also easy to recycle after useful life, and so are an environmentally friendly product.
- Now can be anodised in colours including antique bronze and black.
- 10 year warranty.



Environmental Impact & Sustainability

Our Products Use 100% recycled aluminium and can be recycled after use making our aluminium mat products very environmentally friendly. This combined with the ability to replace the insert material rather than replacing the whole mat, means that although not directly eligible for BREEAM Credits selecting Jaymart will help in supporting your BREEAM certification.

We manufacture in the United Kingdom to precise specifications/ measurements. This means Jaymart can reduce waste and transport.

Our products are extremely Hard wearing and will reduce the need for frequent replacement to support BREEAM MAT 05 criteria and also minimise the use of harmful cleaning chemicals and cleaning/ maintenance costs for the end user.

BREEAM MAT 01 addresses the environmental impact through the life cycle of the product. The Jaymart aluminium entrance matting system have the ability to refurbish rather than replace means that our products can further support your aims. It will also help with meeting BREEAM MAT 06 requirements. We can also offer products made from natural inserts from sustainable sources to further meet environmental aims. The expected useful lifespan when refurbished is 30 years approximately dependent on wear and correct maintenance being carried out.



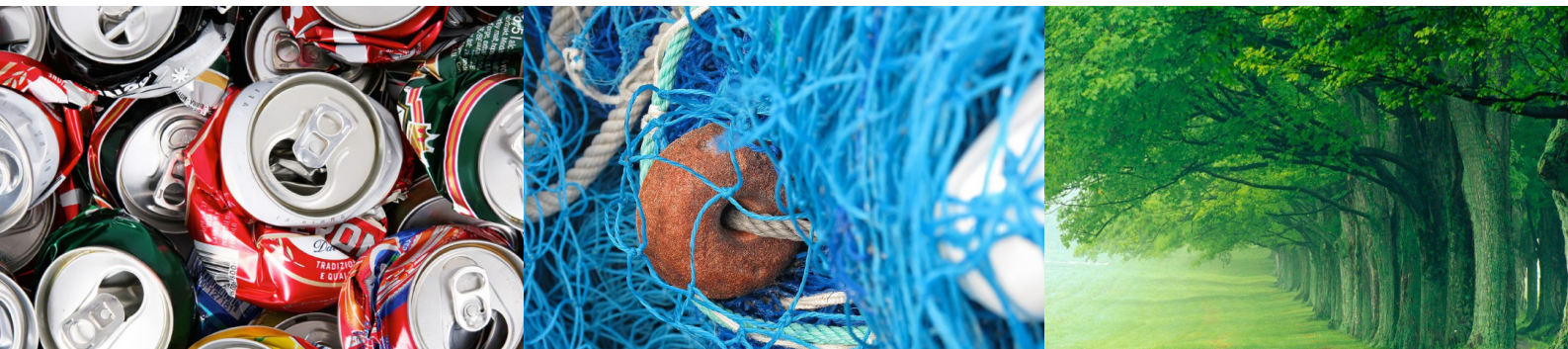
Manufactured in United Kingdom



100% Recycled Aluminium



100% Econyl Recycled Nylon Yarn



ALLIGATOR Rib Cleaning & Maintenance

Cleaning and Maintenance

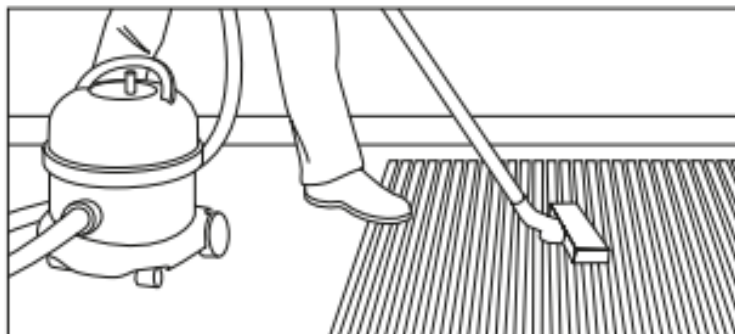
Alligator Rib entrance mats are designed to prevent the foot borne ingress of dirt and moisture into a building.

The aluminum ribs of the mat scrape dirt from shoe soles, whilst the 100% Polypropylene thick set ribbed inserts offer brushing action/ resistance and absorb moisture. The inserts are quick drying thus making a more effective entrance matting system.

Daily Cleaning

Regular maintenance is vital to ensure that **Alligator Rib** remains effective.

Normal daily soiling can be dealt with using a suction vacuum cleaner. A 2000-Watt model will give better results than a lower powered model. The use of rubber bladed wet floor tool attachment should increase the effectiveness of the cleaning.



Periodic maintenance

Best results can be achieved by the periodic use of a spray extraction carpet cleaning machine.

The use of a mild detergent (neutral pH) cleaning solution in the carpet cleaning machine should loosen ingrained soiling and aid the removal of oils and grease. More stubborn stains should be treated a solvent-based spot remover prior to re-cleaning with the detergent solution.

Chewing Gum can be removed by freeze spraying or with a proprietary chewing gum remover and then scraped or combed out of the matting carpet pile. This should be done before the full cleaning process is started.

Alligator Rib mats have replaceable Polypropylene inserts (Jay Rib)

Depending on the regularity of maintenance and the volume of foot traffic, the strips may require replacement at infrequent intervals.

Replacement 100% polypropylene inserts (Jay Rib) may be obtained from **Jaymart Rubber & Plastics Ltd.**





Jaymart

**Jaymart Rubber &
Plastics Limited**

**Roman Way, Crusader
Park,**

Warminster

BA12 8SP

Tel 01985 218994

**Email:
sales@jaymart.co.uk**

www.jaymart.co.uk