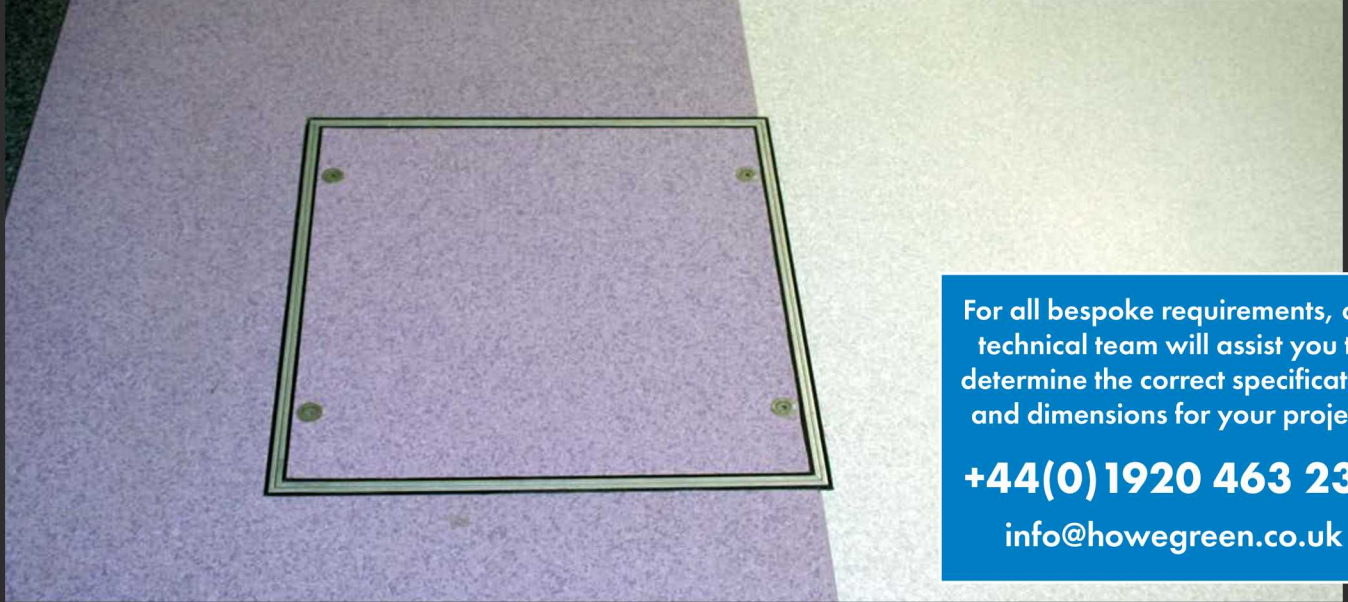


# Visedge® Series FLOOR ACCESS COVERS



For all bespoke requirements, our technical team will assist you to determine the correct specification and dimensions for your project.

**+44(0)1920 463 230**

[info@howegreen.co.uk](mailto:info@howegreen.co.uk)

## Aluminium floor access covers for flexible floor finishes

### » FEATURES

- Visedge Series covers are suitable for all types of flexible sheet flooring, e.g. PVC or linoleum.
- The PVC extrusion is locked to the frame sections, and bonded and welded to the cut edge of the sheet flooring, forming a flat, hygienic and permanent joint.
- The aluminium and steel construction is tough, light and corrosion resistant.
- Crimped corners allow the cover and frame to lie completely flat.
- The unique Howe Green double seal construction forms the most positive seal to drainage, electrical and other ducts.
- Any size is available for single covers or duct layouts.
- Quality control to BS EN ISO 9001.

### » VISEDGE SERIES FLOOR ACCESS COVERS

**Size** – All covers are made to measure using the Howe Green patented system. This allows the manufacture of any size between the stated maximum and minimum dimensions. Sizes that may be thought 'non-standard' can therefore be obtained without delay and without cost surcharge. The versatile nature of the Howe Green system allows any configuration of ducts and branches to be created.

**Weight** – The weight of the access cover should be taken into account where ease of handling is an important consideration. In all cases reference should be made to the Manual Handling Operations Regulations 1992, which implement European Directive 90/269/EEC. If loads are excessive, consideration should be given to the use of hydraulic lifters, or our HSE 75 range.

Where large covers are necessary, over pits containing plant etc., the main covers can be fitted with small inset covers to allow easy access for routine maintenance. The main covers need then only be removed for major overhauls or plant replacement.

# Visedge® Series ALUMINIUM SINGLE COVER

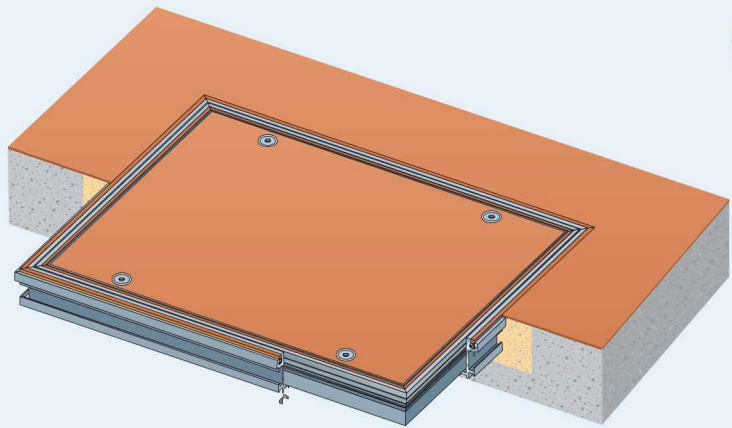
## ▶ FLOOR ACCESS COVERS FOR PEDESTRIAN TRAFFIC

### Typical floor finishes

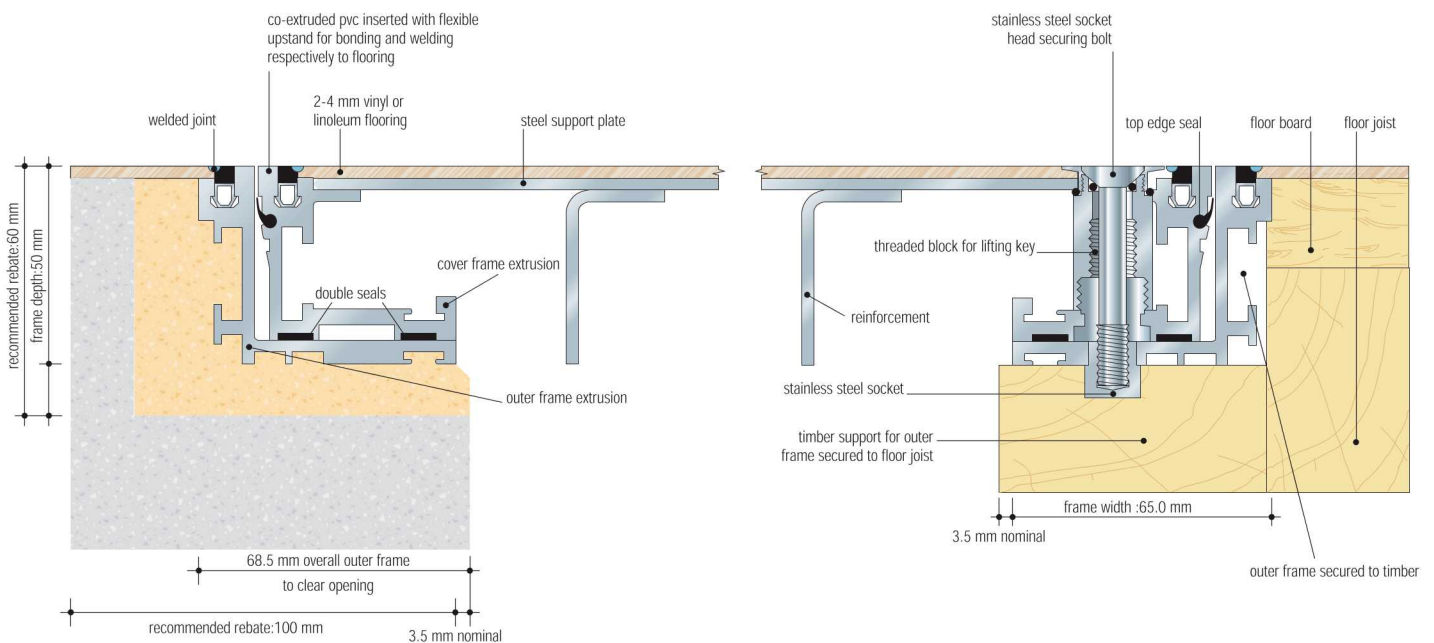
Vinyl, linoleum, rubber, all flexible floor coverings and some carpets.

### Performance

Pedestrian traffic (including wheeled trolleys, sack trucks etc.) only.



### Cross section showing concrete and timber sub-floors (scale 1:2)



### Typical specification clause for Visedge series

Aluminium access covers and duct/multipart covers\* and frames shall be Howe Green Ltd Visedge series with top edge dirt seal, weldable pvc securing edge, mechanically jointed corners, double sealed on seating and fitted with securing bolts. Sizes shall be as shown on contract drawings nos ....† Covers are to be supplied complete with ....† sets of combined lifting/securing keys. All to be manufactured and supplied by Howe Green Ltd, Marsh Lane, Ware, Hertfordshire, SG12 9QQ, Great Britain, and installed in accordance with the manufacturer's installation details and sitework guide.

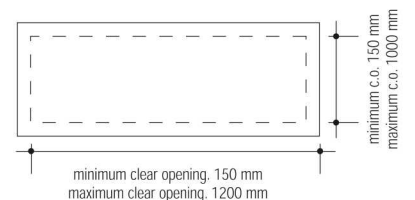
### Size

Overall frame size = clear opening + 137 mm e.g. 600 x 600 mm clear opening = 737 x 737 mm overall frame width. Subject to correct installation (see separate guide). See also general notes on cover.

### Weight

A Visedge series cover weighs approx. 55 kg/m<sup>2</sup>.

### Maximum / minimum sizes



\*Delete as appropriate. † Insert appropriate numbers & quantities

# Visedge® Series ALUMINIUM DUCT COVER

## ▶ FLOOR ACCESS COVERS FOR PEDESTRIAN TRAFFIC

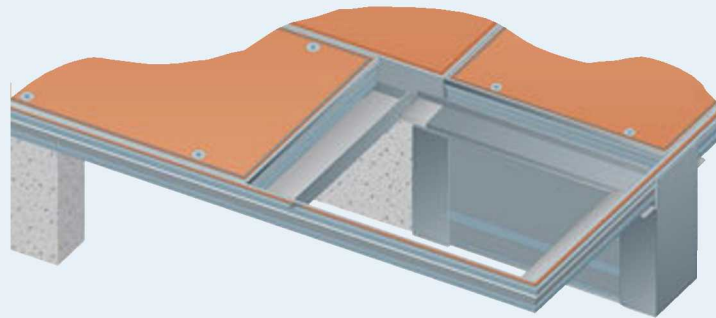
### Typical floor finishes

Vinyl, linoleum, rubber, all flexible floor coverings and some carpets.

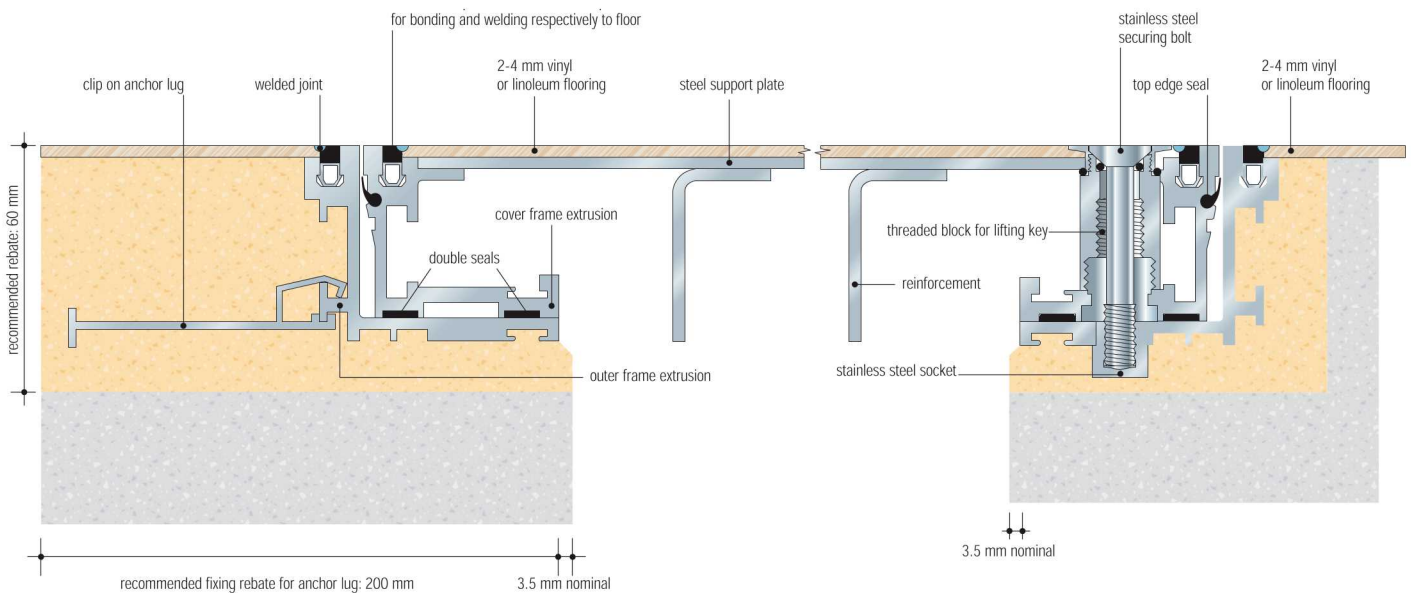
### Performance

Pedestrian traffic (including wheeled trolleys, sack trucks etc.) only.

Consult the Howe Green Technical Department for heavier loadings.



### Cross section showing anchor lug and locking/lifting detail (scale 1:2)



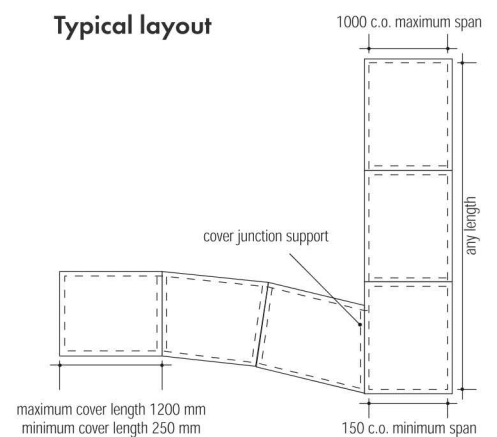
### Size

Overall frame size = clear opening + 137 mm e.g. 600 mm clear opening = 737 mm overall frame. Subject to correct installation (see separate guide). See also general notes on cover.

### Weight

A Visedge series cover weighs approx. 55 kg/m<sup>2</sup>.

### Typical layout



# Visedge® Series ALUMINIUM MULTIPART COVER



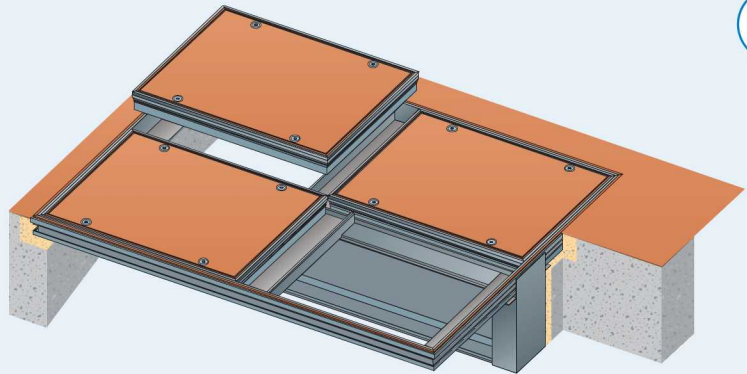
## ▶ FLOOR ACCESS COVERS FOR PEDESTRIAN TRAFFIC

### Typical floor finishes

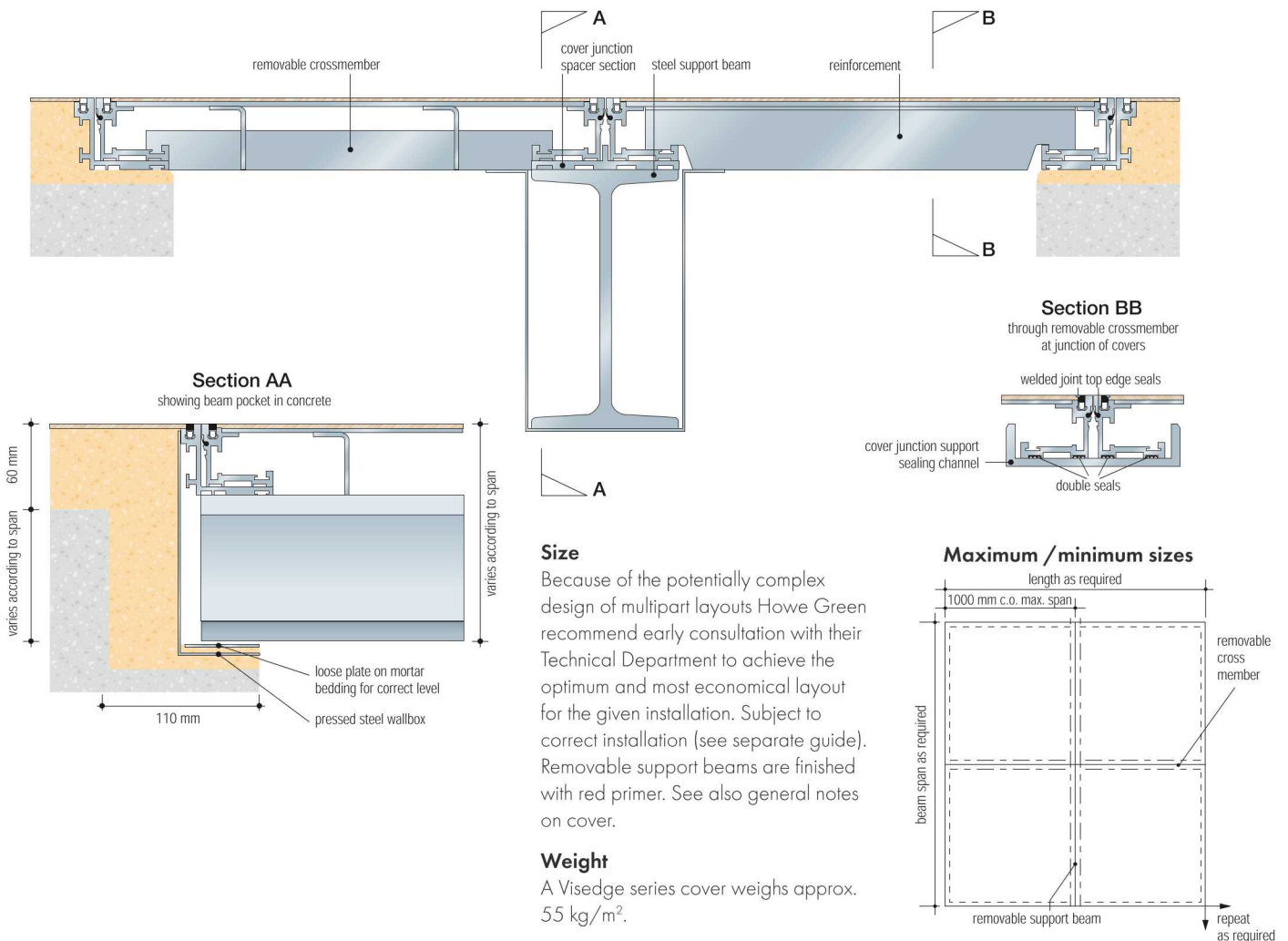
Vinyl, linoleum, rubber, all flexible floor coverings and some carpets.

### Performance

Pedestrian traffic (including wheeled trolleys, sack trucks etc.) only. Consult the Howe Green Technical Department for heavier loadings.



### Cross section showing removable support beam and cross members (scale 1:2)



## ▶ CONTACT US

### Sales Enquiries

+44(0)1920 463 230 [info@howegreen.co.uk](mailto:info@howegreen.co.uk) [www.howegreen.com](http://www.howegreen.com)

Marsh Lane, Ware, Hertfordshire, SG12 9QQ, UK

