



Electric Locking

ASSA electric locking products



Electric strikes

- ✎ Tested to one million operations.
- ✎ High quality components with exceptional resistance to wear.
- ✎ Ideal for high-traffic applications.



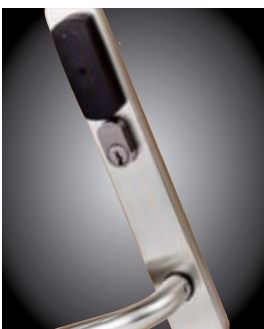
Connect electric locks

- ✎ Connect solenoid handle locks provide an excellent balance between security and convenience.
- ✎ Connect motor locks give maximum security, ideal for remote sites and night-time locking.
- ✎ ASSA Elva brings electric locking to houses and flats, providing security and safety using the latest in remote control technology.



Door magnets

- ✎ Provide true fail safe operation.
- ✎ Magnets are highly resistant to wear because they have no mechanical moving parts.
- ✎ Designed to offer security for people, ASSA door magnets are available at three levels of security.



Access control systems

- ✎ Smartair allows the creation of a powerful and sophisticated proximity access control system using attractive wire-free door units.
- ✎ Codoor is a simple and elegant method of controlling access within a building, using an easy-to-install battery-powered codelock.
- ✎ The SOLICODE digital codelock offers many advanced features and is compatible with all our electric strikes and Connect electric locks.

High security – fail locked



Application

For use on external door entry systems where high security and resistance to vandalism is paramount, such as high rise residential accommodation, multiple occupancy office buildings, elderly persons units and banks/building societies.

For finishes see page 5:40
 For electrical details see page 5:41
 For compatibility see page 5:39



131E with faceplate 16

Supplied fitted with either faceplate 13, 16, 24 or 823, secured with anti-vandal screws.

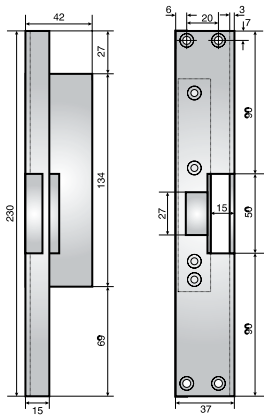
Body, faceplate and pivoting staple are manufactured from high grade steel.

Tested to 1,000,000 operations.

VERY HIGH strength – resists 1,500 kg sidepressure on the pivoting staple.

Can be used with both left and right hand doors without adjustment.

131E electric strike



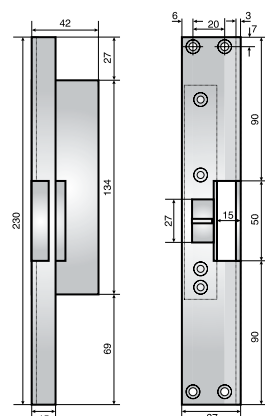
Faceplate 24 is illustrated here

DC continuous duty fail-locked

The strike opens when the current is on and locks automatically when the current is switched off.

Will open even when a sidepressure up to 25kg is applied.

5131E electric strike



Faceplate 24 is illustrated here

DC continuous duty fail-locked with built-in microswitch

The strike opens when the current is on and locks automatically when the current is switched off.

A microswitch monitors the latchbolt engagement.

Will open even when a sidepressure up to 25kg is applied.

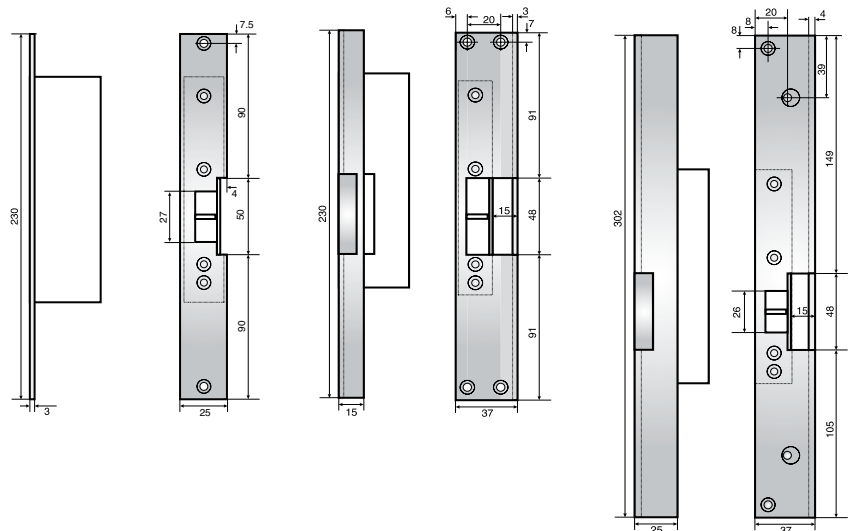
Alternative faceplates

Faceplate 24 is suitable for timber or metal-framed doors.

Faceplate 16 is designed for wooden frames, and features angled fixing screws. It is particularly suitable for areas prone to vandalism.

Faceplate 13 has a wider mouth to suit non-ASSA locks; for metal or wooden framed doors.

Faceplate 823 is suitable for metal or plastic framed doors.



Faceplate 823

Faceplate 13

Faceplate 16

High security – fail locked



Application

For use on external door entry systems where high security and resistance to vandalism is paramount, such as high rise residential accommodation, multiple occupancy office buildings, elderly persons units and banks/building societies.

For finishes see page 5:40
For electrical details see page 5:41
For compatibility see page 5:39



8131E with faceplate 16

Supplied fitted with either faceplate 13, 16, 24 or 823, secured with anti-vandal screws.

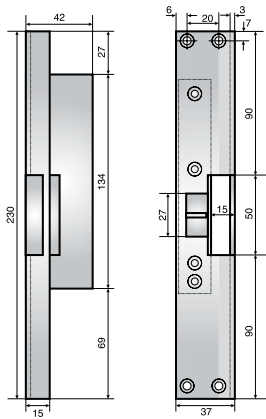
Body, faceplate and pivoting staple are manufactured from high grade steel.

Tested to 1,000,000 operations.

VERY HIGH strength – resists 1,500 kg sidepressure on the pivoting staple.

Can be used with both left and right hand doors without adjustment.

8131E electric strike



Faceplate 24 is illustrated here

DC continuous duty fail-locked with two built-in microswitches

The strike opens when the current is on and locks automatically when the current is switched off.

One microswitch monitors the latchbolt engagement, and the other monitors the deadlocking of the pivoting staple, thus giving 100% assurance that the door is properly secured.

Will open even when a sidepressure up to 25kg is applied.

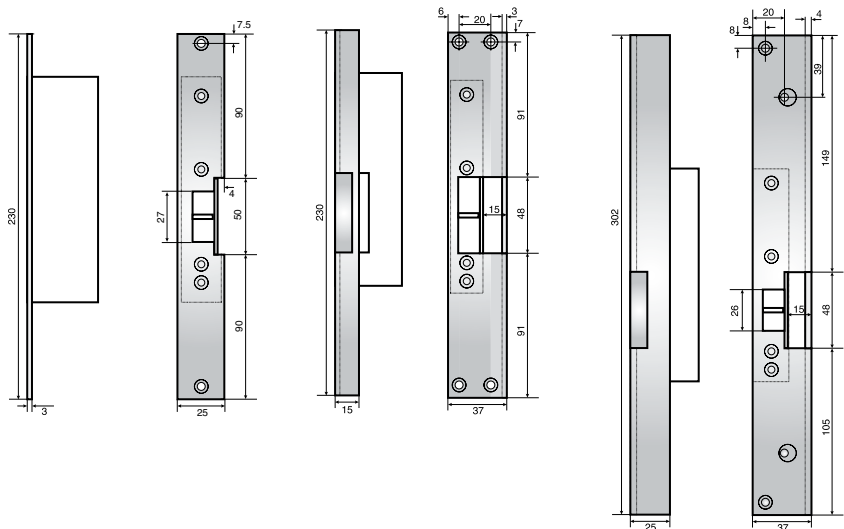
Alternative faceplates

Faceplate 24 is suitable for timber or metal-framed doors.

Faceplate 16 is designed for wooden frames, and features angled fixing screws. It is particularly suitable for areas prone to vandalism.

Faceplate 13 has a wider mouth to suit non-ASSA locks; for metal or wooden framed doors.

Faceplate 823 is suitable for metal or plastic framed doors.



Faceplate 823

Faceplate 13

Faceplate 16

High security – fail safe



Application

Offer true fail safe function. For use where a high security and vandal resistance must be balanced with the need for safety. For example, high rise residential accommodation, multiple occupancy office buildings, and elderly persons units where quick evacuation and access for the emergency services may be necessary.

For finishes see page 5:40
For electrical details see page 5:41
For compatibility see page 5:39



331A with faceplate 16

Supplied fitted with either faceplate 13, 16, 24 or 823, secured with anti-vandal screws.

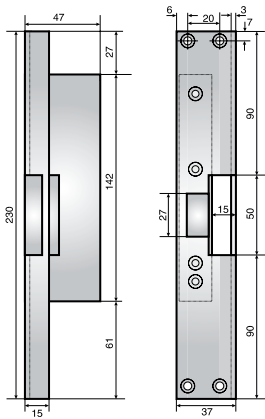
Body, faceplate and pivoting staple are manufactured from high grade steel.

Tested to 1,000,000 operations.

HIGH strength – resists 750kg sidepressure on the pivoting staple.

Can be used with both left and right hand doors without adjustment.

331A electric strike



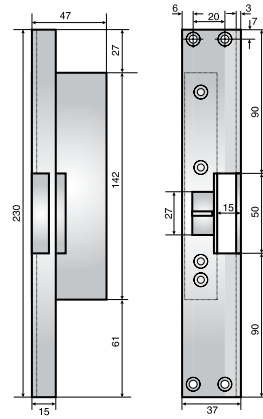
Faceplate 24 is illustrated here

DC continuous duty fail safe

The strike is closed as long as the current is on and opens automatically when the current is switched off.

Will open even when a sidepressure up to 500kg is applied.

5331A electric strike



Faceplate 24 is illustrated here

DC continuous duty fail safe with built-in microswitch

The strike is closed as long as the current is on and opens automatically when the current is switched off.

A microswitch monitors the latchbolt engagement.

Will open even when a sidepressure up to 500kg is applied.

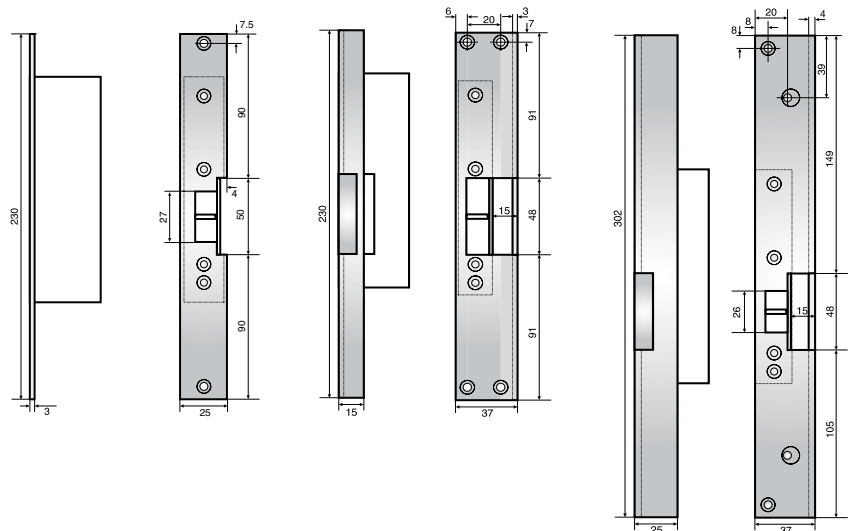
Alternative faceplates

Faceplate 24 is suitable for timber or metal-framed doors.

Faceplate 16 is designed for wooden frames, and features angled fixing screws.

Faceplate 13 has a wider mouth to suit non-ASSA locks; for metal or wooden framed doors.

Faceplate 823 is suitable for metal or plastic framed doors.



Faceplate 823

Faceplate 13

Faceplate 16

Hookbolt strikes



Application

For use where the electronic access control system must work together with a high security Connect hookbolt rather than the traditional latchbolt. The rapid operation of an electric strike, as compared to a motor lock, is recommended for high-traffic areas such as corridor doors and main entrances. These strikes are also recommended for rooms containing cash or valuables and areas where staff may be subject to attack.



STEP 18
with faceplate 184

STEP 28
with faceplate 284

All Hookbolt Strikes are supplied fitted with either faceplate 183 or 283, or 184 or 284, and with 5 m cable.

The strike is manufactured from stainless steel.

VERY HIGH strength – resists 1,500kg sidepressure on the pivoting staple.

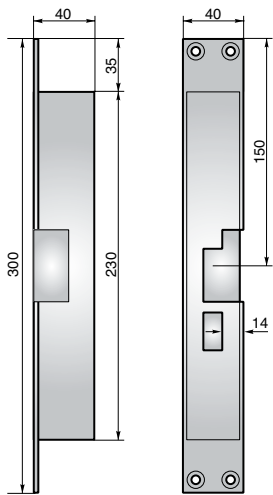
Door handing must be specified when ordering.

For finishes see page 5:40

For electrical details see page 5:41

For compatibility see page 5:39

STEP 180 fail secure hookbolt strike



Faceplate 183 is illustrated here

DC continuous duty fail secure

The strike opens when the current is on and locks automatically when the current is switched off.

Two microswitches monitor the hookbolt engagement and the deadlocking of the pivoting staple.

Features receiver in faceplate for conventional latchbolt.

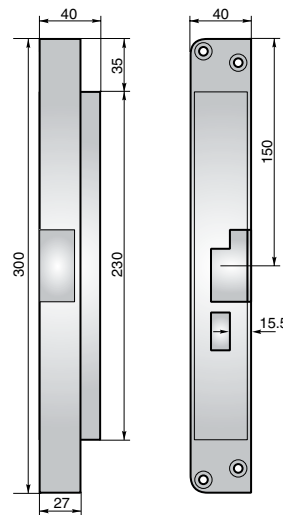
Handing must be specified when ordering. Use references:

180A - left hand
180B - right hand.



EN 50081-1 (Emission)
EN 50082-2 (Immunity)
EMC 89/336/EEC
EMC 93/68/EEC

STEP 181 fail safe hookbolt strike



Faceplate 184 is illustrated here

DC continuous duty fail safe

The strike is closed as long as the current is on and opens automatically when the current is switched off.

Two microswitches monitor the hookbolt engagement and the deadlocking of the pivoting staple.

Will open even when a sidepressure up to 500kg is applied.

Features receiver in faceplate for conventional latchbolt.

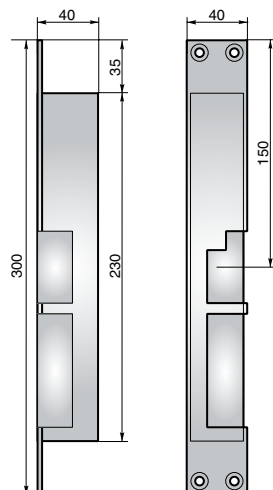
Handing must be specified when ordering. Use references:

181A - left hand
181B - right hand.



EN 50081-1 (Emission)
EN 50082-2 (Immunity)
EMC 89/336/EEC
EMC 93/68/EEC

STEP 280 fail secure hookbolt strike



Faceplate 283 is illustrated here

DC continuous duty fail secure

The strike opens when the current is on and locks automatically when the current is switched off.

Two microswitches monitor the hookbolt engagement and the deadlocking of the pivoting staple.

Features additional pivoting staple for latchbolt, allowing the door to be opened by an automatic door operator.

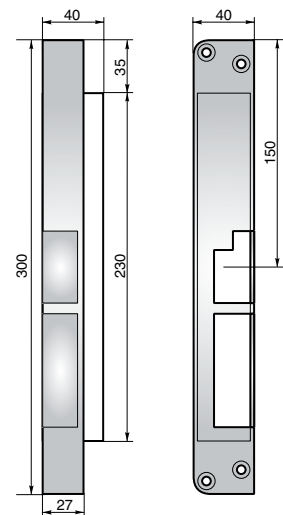
Handing must be specified when ordering. Use references:

280A - left hand
280B - right hand.



EN 50081-1 (Emission)
EN 50082-2 (Immunity)
EMC 89/336/EEC
EMC 93/68/EEC

Alternative faceplates



Faceplate 284 is illustrated here

Faceplate 183 (for STEP 180/181) and faceplate 283 (for STEP 280) are suitable for metal frames.

Faceplate 184 (for STEP 180/181) and faceplate 284 (for STEP 280) are suitable for timber frames.

Handing must be specified when ordering. Use suffixes:

-A - left hand
-B - right hand.



EN 50081-1 (Emission)
EN 50082-2 (Immunity)
EMC 89/336/EEC
EMC 93/68/EEC

Deadbolt strikes



Application

For use where the electronic access control system must work together with a high security deadbolt rather than the traditional latchbolt. The rapid operation of an electric strike, as compared to a motor lock, is recommended for high-traffic areas such as corridor doors and main entrances. These strikes are also recommended for rooms containing cash or valuables and areas where staff may be subject to attack.



All STEAB Deadbolt Strikes are supplied fitted with either faceplate 625 or 635, and with 5 m cable.

The strike is manufactured from stainless steel.

EXTREMELY HIGH strength – resists 1,850kg sidepressure on the pivoting staple.

Can be used with both left and right hand doors without adjustment.

For finishes see page 5:40
For electrical details see page 5:41
For compatibility see page 5:39

ST670 deadbolt strike

DC continuous duty fail-locked with built-in microswitch

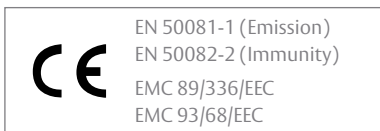
The strike opens when the current is on and locks automatically when the current is switched off.

A microswitch monitors the deadbolt engagement.

The strike releases the deadbolt of the lockcase when activated. The door can always close and re-lock, even when the deadbolt is in the extended position.

The latchbolt is controlled in the normal way for the lockcase in question – most often by lever handle.

For dimensions see below.



ST671 deadbolt strike

DC continuous duty fail-unlocked with built-in microswitch

The strike is closed as long as the current is on and opens automatically when the current is switched off.

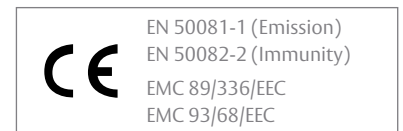
A microswitch monitors the deadbolt engagement.

The strike releases the deadbolt of the lockcase when activated. The door can always close and re-lock, even when the deadbolt is in the extended position.

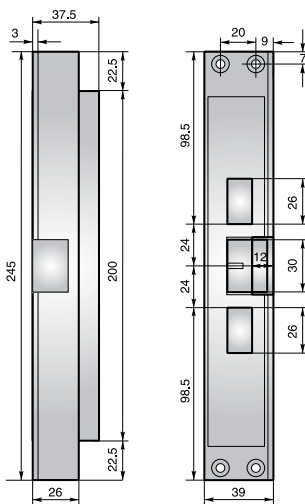
The latchbolt is controlled in the normal way for the lockcase in question – most often by lever handle.

Note that this other bolt would not be released if the power failed.

For dimensions see below.



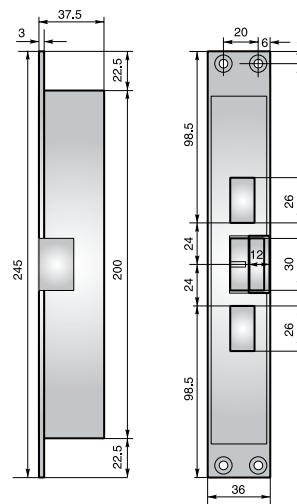
Faceplate 625



Faceplate 625 is suitable for wooden frames.

Used with either of the two electric strike bodies listed above.

Faceplate 635



Faceplate 635 is suitable for metal frames.

Used with either of the two electric strike bodies listed above.

Universal strikes



Application

Suitable for almost any situation. Will accept a wide range of power inputs.

Faceplates 730 and 731 may be used with locks with a separate mechanical deadbolt, giving increased physical security controlled by keyholders when needed.



75 with faceplate 731/17

Supplied fitted with either faceplate 732, 733, 730 or 731. Body and faceplate are made from high grade steel.

Tested to 1,500,000 operations.

HIGH strength – resists 700kg sidepressure on the staple.

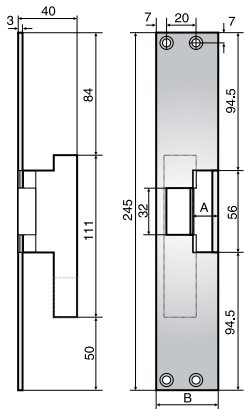
Can be used with both left and right hand doors without adjustment.

For finishes see page 5:40

For electrical details see page 5:41

For compatibility see page 5:39

75 electric strike



Continuous duty AC or DC Fail-locked or fail-unlocked

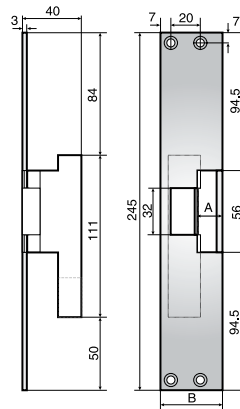
The strike may be set to either open when the current is on and lock automatically when the current is switched off (fail locked); or be closed as long as the current is on and open automatically when the current is switched off (fail unlocked).

Changing the mode is achieved by loosening a screw, sliding it to the alternate position, and re-fastening.

Faceplate 733 is illustrated here; suitable for metal frames.

Alternative sizes available; see table.

575 electric strike



Continuous duty AC or DC Fail-locked or fail-unlocked with built-in microswitch

The strike may be set to either open when the current is on and lock automatically when the current is switched off (fail locked); or be closed as long as the current is on and open automatically when the current is switched off (fail unlocked).

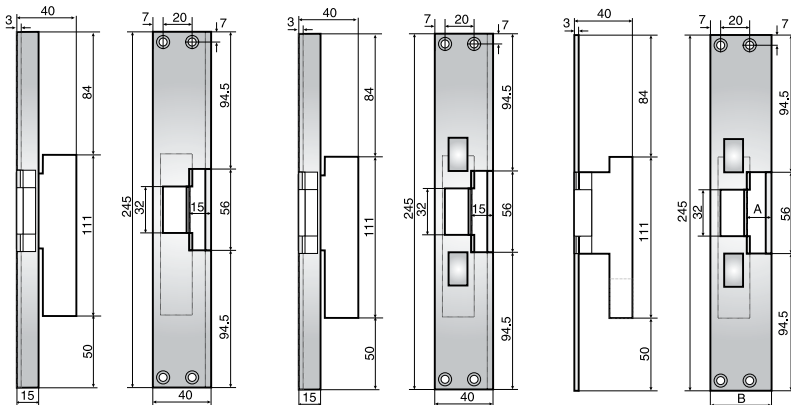
Changing the mode is achieved by loosening a screw, sliding it to the alternate position, and re-fastening.

A microswitch monitors the latchbolt engagement.

Faceplate 733 is illustrated here; suitable for metal frames.

Alternative sizes available; see table.

Alternative faceplates



Faceplate 732

Suitable for timber frames.

Faceplate 730

Suitable for timber frames. Electric locking function may be supplemented by a mechanical deadbolt.

Faceplate 731*

Suitable for metal frames. Electric locking function may be supplemented by a mechanical deadbolt.

* Alternative sizes available; see table.

Faceplate Ref	A	B
731/17 or 733/17	17	42
731/20 or 733/20	20	45
731/26 or 733/26	26	51

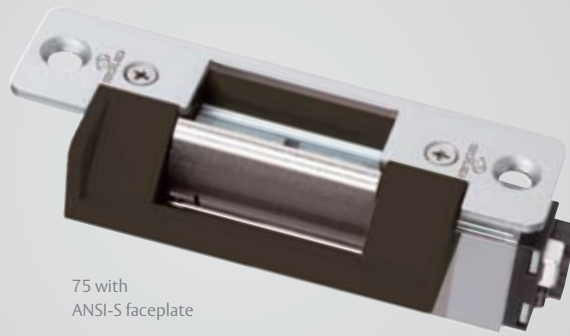
Universal ANSI strikes



Application

Suitable for almost any situation. Will accept a wide range of power inputs.

ANSI faceplates are compatible with standard locks for narrow section aluminium and steel frames.



75 with ANSI-S faceplate

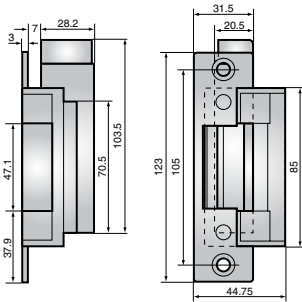
Supplied fitted with either faceplate ANSI-S or ANSI-L. Body and faceplate are made from high grade steel.

Tested to 1,500,000 operations. HIGH strength – resists 700kg sidepressure on the staple.

Can be used with both left and right hand doors without adjustment.

For finishes see page 5:40
For electrical details see page 5:41
For compatibility see page 5:39

75 ANSI electric strike



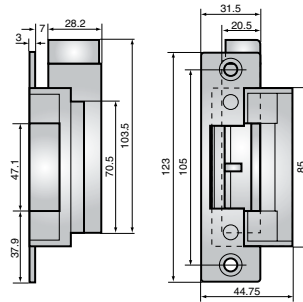
Continuous duty AC or DC Fail-locked or fail-unlocked

The strike may be set to either open when the current is on and lock automatically when the current is switched off (fail locked); or be closed as long as the current is on and open automatically when the current is switched off (fail unlocked). Switchable 12V and 24V operation.

Changing the mode is achieved by loosening a screw, sliding it to the alternate position, and re-fastening.

ANSI-S faceplate is illustrated here. Suitable for narrow section steel or aluminium frames.

575 ANSI electric strike



Continuous duty AC or DC Fail-locked or fail-unlocked with built-in microswitch

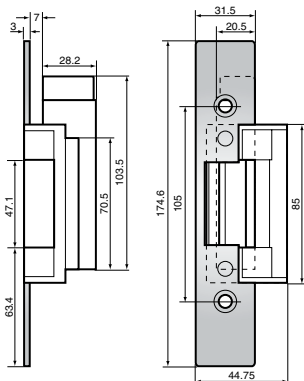
The strike may be set to either open when the current is on and lock automatically when the current is switched off (fail locked); or be closed as long as the current is on and open automatically when the current is switched off (fail unlocked). Switchable 12V and 24V operation.

Changing the mode is achieved by loosening a screw, sliding it to the alternate position, and re-fastening.

A microswitch monitors the latchbolt engagement.

ANSI-S faceplate is illustrated here. Suitable for narrow section steel or aluminium frames.

Alternative faceplate



ANSI-L faceplate

Longer faceplate, suitable for narrow section steel or aluminium frames.

Medium security – fail locked



Application

For use in access control where reliability is a major consideration but where the very high physical strength of SOLID High Security Strikes is not required.

For example: computer rooms, plant rooms, laboratories or other specially designated areas of restricted access.

For finishes see page 5:40

For electrical details see page 5:41

For compatibility see page 5:39



14E with faceplate 510

Supplied fitted with either faceplate 505, 510, 5 or 10.

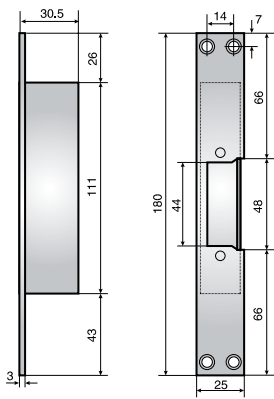
Faceplate and pivoting staple are manufactured from high grade steel.

Tested to 1,000,000 operations.

MEDIUM strength – resists 450kg sidepressure on the pivoting staple.

Can be used with both left and right hand doors without adjustment.

14E electric strike

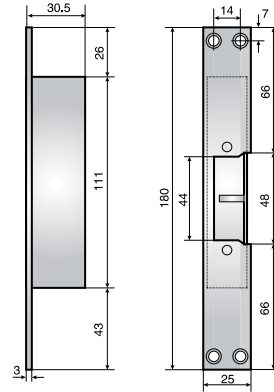


Faceplate 5 is illustrated here

DC continuous duty fail-locked

The strike opens when the current is on and locks automatically when the current is switched off.

514E electric strike



Faceplate 5 is illustrated here

DC continuous duty fail-locked with built-in microswitch

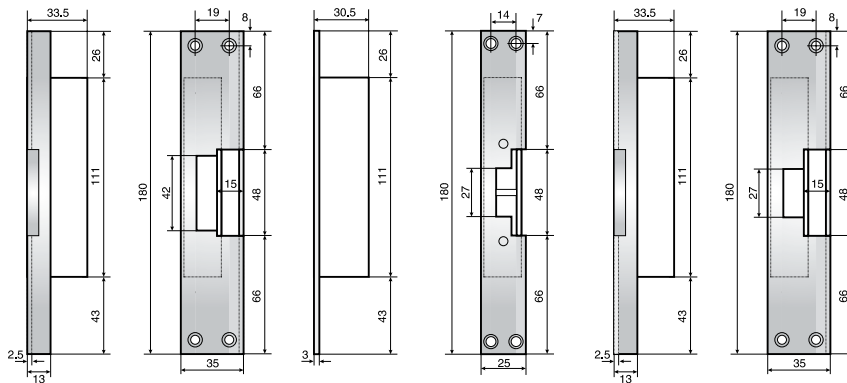
The strike opens when the current is on and locks automatically when the current is switched off. A microswitch monitors the latchbolt engagement.

Alternative faceplates

Faceplate 505 is recommended for metal or PVC door frames of non-standard thickness.

Faceplate 510 features a wrap-around faceplate for added strength; suitable for wooden frames.

Faceplates 5 and 10 are versions of the 505 and 510 (respectively) with a wider mouth, to suit non-ASSA locks.



Faceplate 10

Faceplate 505

Faceplate 510

Medium security – fail unlocked



Application

For use in access control where the security requirement must be balanced with the need for safety. For example computer rooms, plant rooms, laboratories or other specially designated areas of restricted access, particularly where quick evacuation or access in an emergency may be necessary.

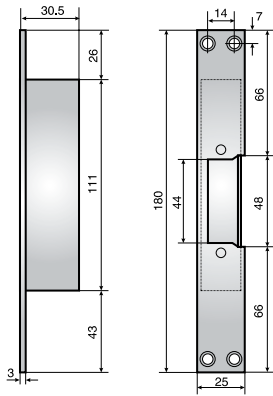
For finishes see page 5:40
 For electrical details see page 5:41
 For compatibility see page 5:39



114A with faceplate 510

Supplied fitted with either faceplate 505, 510, 5 or 10.
 Faceplate and pivoting staple are manufactured from high grade steel.
 Tested to 1,000,000 operations.
 MEDIUM strength – resists 450kg sidepressure on the pivoting staple.
 Can be used with both left and right hand doors without adjustment.

114A electric strike

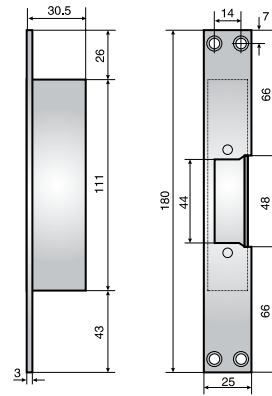


Faceplate 5 is illustrated here

DC continuous duty fail-unlocked

The strike is closed as long as the current is on and opens automatically when the current is switched off.

5114A electric strike



Faceplate 5 is illustrated here

DC continuous duty fail-unlocked with built-in microswitch

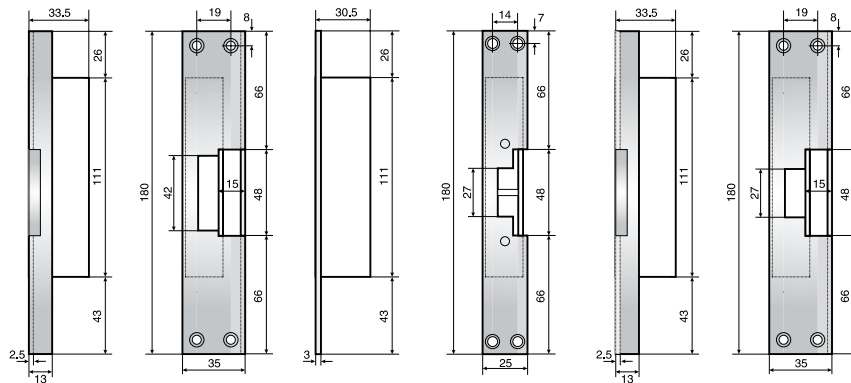
The strike is closed as long as the current is on and opens automatically when the current is switched off. A microswitch monitors the latchbolt engagement.

Alternative faceplates

Faceplate 505 is recommended for metal or PVC door frames of non-standard thickness.

Faceplate 510 features a wrap-around faceplate for added strength; suitable for wooden frames.

Faceplates 5 and 10 are versions of the 505 and 510 (respectively) with a wider mouth, to suit non-ASSA locks.



Faceplate 10

Faceplate 505

Faceplate 510

Strikes for Euro locks



Application

For use in access control where reliability is a major consideration but where very high physical strength is not required.

For example: computer rooms, plant rooms, laboratories or other specially designated areas of restricted access.

for use with the D450 Euro lock range.

For finishes see page 5:40
For electrical details see page 5:41
For compatibility see page 5:39



17E with Long faceplate

Supplied fitted with either Short or Long faceplate.

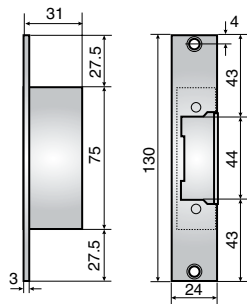
Faceplate and pivoting staple are manufactured from high grade steel.

Tested to 1,000,000 operations.

MEDIUM strength – resists 350kg sidepressure on the pivoting staple.

Can be used with both left and right hand doors without adjustment.

17E electric strike

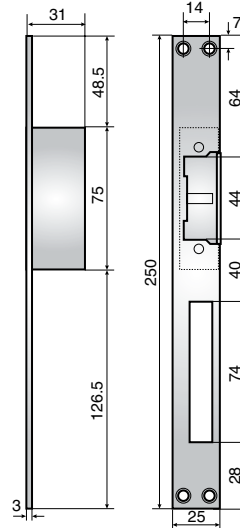


Short faceplate is illustrated here. See opposite for dimensions of Long faceplate.

517E electric strike

DC continuous duty fail-locked

The strike opens when the current is on and locks automatically when the current is switched off.

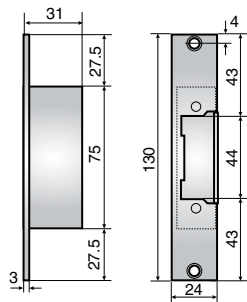


Long faceplate is illustrated here

DC continuous duty fail-locked with built-in microswitch

The strike opens when the current is on and locks automatically when the current is switched off. A microswitch monitors the latchbolt engagement.

37A electric strike

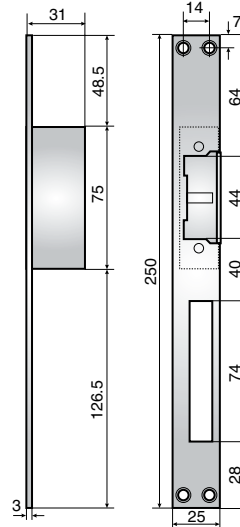


Short faceplate is illustrated here. See opposite for dimensions of Long faceplate.

537A electric strike

DC continuous duty fail-unlocked

The strike is closed as long as the current is on and opens automatically when the current is switched off.



Long faceplate is illustrated here

DC continuous duty fail-unlocked with built-in microswitch

The strike is closed as long as the current is on and opens automatically when the current is switched off. A microswitch monitors the latchbolt engagement.

Alternative faceplates

Short faceplate for use with nightlatches.
Long faceplate for use with sash locks.

Medium security



Application

For use where security for people is paramount. For example public areas such as libraries, shops, etc. Will accept a range of power inputs.



All magnets are supplied with armature plate, screw fittings and manual. Optional mounting brackets and armature housings are available as shown.

Anodised aluminium casing.

Medium Security – 300kg holding force.

Dual voltage 12/24 V DC.

Not handed.

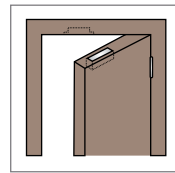
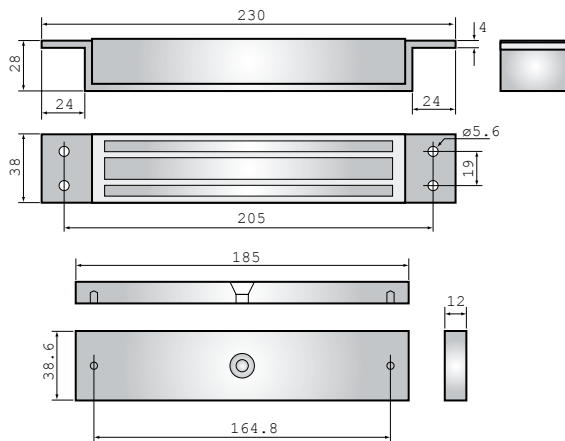
For finishes see page 5:40
For electrical details see page 5:41

↘ M8000 magnet

Medium Security

Mortise fixing. True fail-safe operation. Suitable for light internal doors.

Available with Hall Effect microswitch to monitor that the magnet is active; use ref. **M8000X002**.

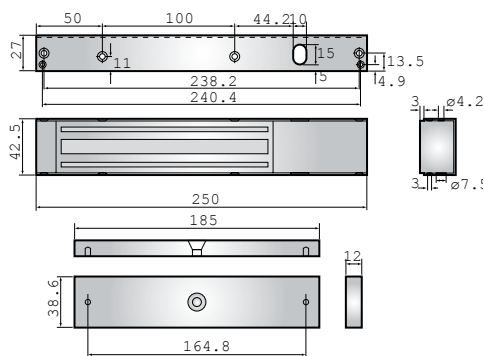


↘ M8005 magnet

Medium Security

Surface fixing. True fail-safe operation. Suitable for light internal doors.

Available with Hall Effect microswitch to monitor that the magnet is active; use ref. **M8005X002**.



Mounting brackets

- M8005.103** L-bracket to suit M8005 magnet, for outward opening doors.
- M8005.100** L&Z-bracket set to suit M8005 magnet, for inward opening doors.
- M8005.104** Armature housing for surface fixing armature to door.

High security



Application

For use where security for people is paramount. For example public areas such as libraries, shops, etc. Will accept a range of power inputs.



All magnets are supplied with armature plate, screw fittings and manual. Optional mounting brackets and armature housings are available as shown.

Anodised aluminium casing.

High Security – 600kg holding force.

Dual voltage 12/24 V DC.

Not handed.

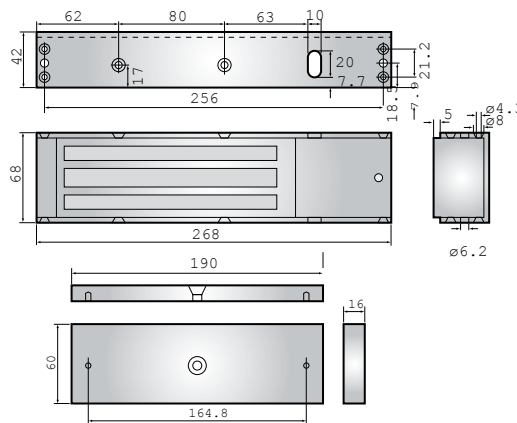
For finishes see page 5:40
For electrical details see page 5:41

↘ M8011 magnet

High Security

Surface fixing. True fail-safe operation. Suitable for heavy external and internal single doors.

Available with Hall Effect microswitch to monitor that the magnet is active; use ref. **M8011X002**.



Mounting brackets

M8011.103 L-bracket to suit M8011 and M8022 magnets, for outward opening doors.

M8011.100 L&Z-bracket set to suit M8011 and M8022 magnets, for inward opening doors.

M8011.104 Armature housing for surface fixing armature to door.

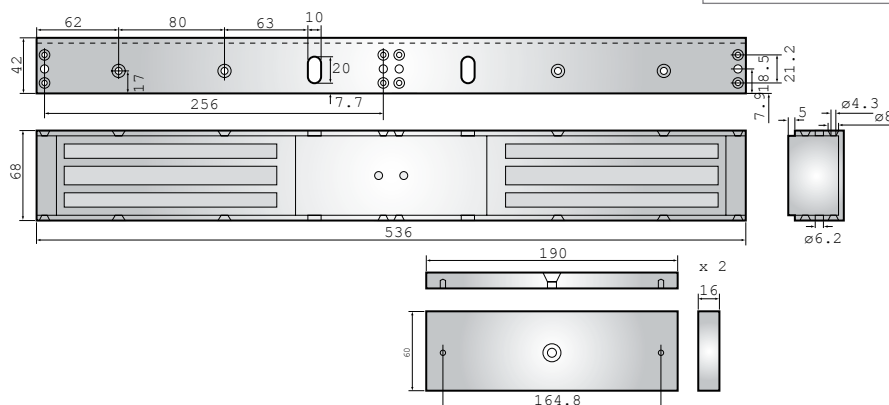
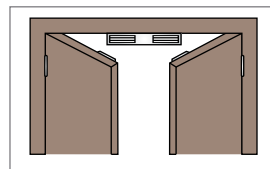
Note: two sets of brackets are required for M8022 double magnet.

↘ M8022 double magnet

High Security

Surface fixing. True fail-safe operation. Suitable for heavy external and internal double doors.

Available with Hall Effect microswitch to monitor that the magnet is active; use ref. **M8022X002**. Time delay 1 - 15 seconds.

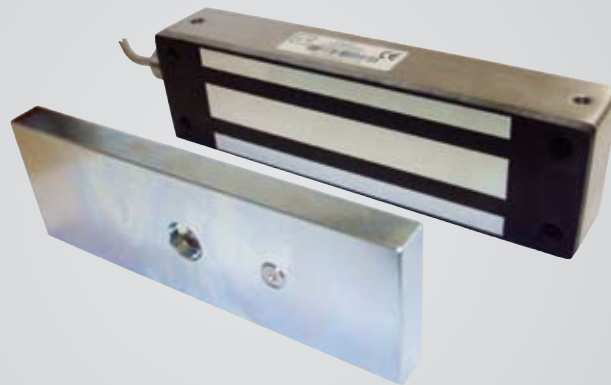


Weatherproof high security



Application

For use in exposed areas where security for people is paramount. For example external doors and gates in public areas. Will accept a range of power inputs.



All magnets are supplied with armature plate, screw fittings and manual.

Optional mounting brackets and armature housings are available as shown.

Anodised aluminium casing.

High Security – 650kg holding force.

Dual voltage 12/24 V DC.

Not handed.

For finishes see page 5:40
For electrical details see page 5:41

↘ M8065 weatherproof magnet

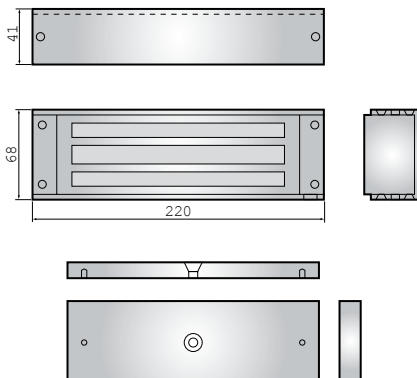
High Security

Surface fixing. True fail-safe operation. IP65 rated. Suitable for heavy external and internal single doors and gates, including those exposed to extreme weather conditions.

Available with Hall Effect microswitch to monitor that the magnet is active: use ref. **M8065X002**

Mounting brackets

M8065.103 L-bracket to suit M8065 magnet, for outward opening doors.



Very high security shearmagnets



Application

For use where the highest level of security for people is paramount. For example perimeter doors, security doors and gates.



Supplied with armature plate, screw fittings and manual.
 Nickel plated casing with black powder coated housing.
 Very High Security – 1,500kg holding force.
 Dual voltage 12/24 V DC.
 Not handed.

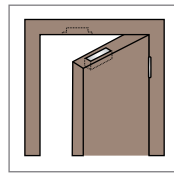
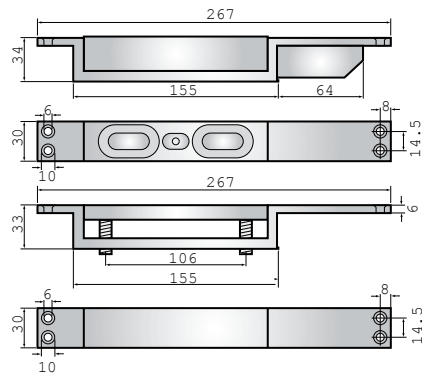
For finishes see page 5:40
 For electrical details see page 5:41

↘ M8031X002 Shearmagnet

Very High Security

Mortice fixing. True fail-safe operation.
 Suitable for external and internal doors.

Supplied as standard with Hall Effect microswitch to monitor that the shearmagnet is active. Time delay 2 - 6 seconds.



Magnetic hold-opens



Application

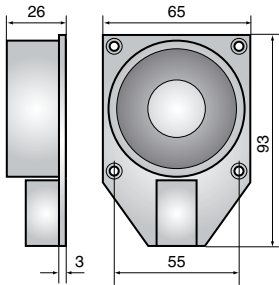
While power is applied, these devices hold the door open to permit free passage. When triggered, they release, allowing the door to shut. The hold-opens may be linked to a fire alarm system to close automatically in case of emergency, preventing the spread of smoke through the building.



Hold opens are supplied with the 838-3 armature plate. The armature plate is morticed into the door and engages with the magnetic hold-open.

For finishes see page 5:40
For electrical details see page 5:41

↘ M838-A mortice hold-open



Hold-opens suitable for mortice fixing. Activated by alarm system or remote switch. DC only.

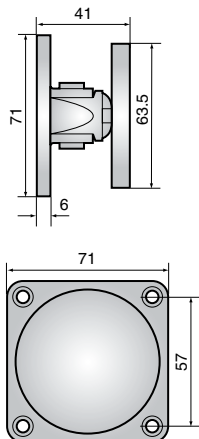
Holding force: 800 N (80 kg)

Replaces M1330 and M1340.



EN 50081-1
EN 50081-2
EMC 89/336/EEC

↘ 838-3 armature plate



Armature plate for use with all M838 series hold opens. Surface mounted. Fully adjustable for extreme angles between door and magnet.

Magnetic hold-opens



Application

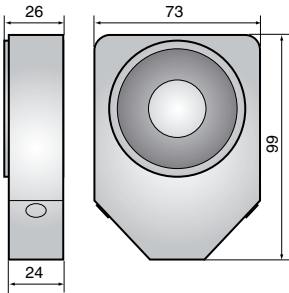
While power is applied, these devices hold the door open to permit free passage. When triggered, they release, allowing the door to shut. The hold-opens may be linked to a fire alarm system to close automatically in case of emergency, preventing the spread of smoke through the building.

For finishes see page 5:40
For electrical details see page 5:41



Supplied with 838-3 armature plate: see page 5:17.

↘ M838-iSU wall mounted hold-open with override



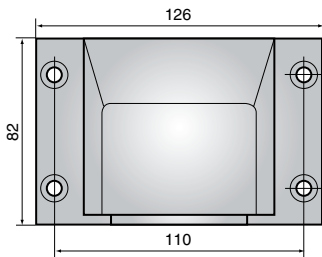
Surface mounted hold-open.
Activated by alarm system, remote switch or manual override button (included). DC only.
Holding force: 800N (80kg)

Replaces M1335, M1345, M1350 and M1360.



EN 50081-1
EN 50081-2
EN 60529
EMC 89/336/EEC

↘ M838-iGBU floor mounted hold-open with override

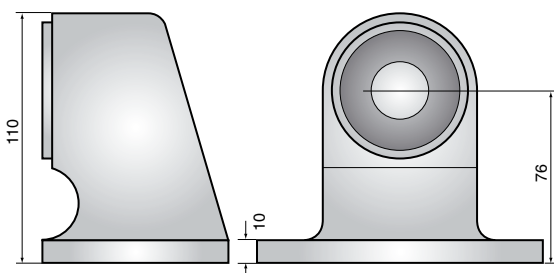


Surface mounted hold-open.
Activated by alarm system, remote switch or manual override button (included). DC only.
Holding force: 800N (80kg)

Replaces M1369.



EN 50081-1
EN 50081-2
EN 60529
EMC 89/336/EEC



Magnetic hold-opens



Application

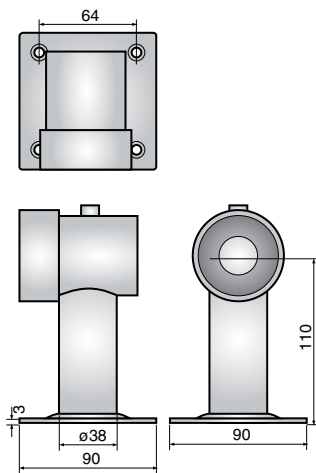
While power is applied, these devices hold the door open to permit free passage. When triggered, they release, allowing the door to shut. The hold-opens may be linked to a fire alarm system to close automatically in case of emergency, preventing the spread of smoke through the building.

For finishes see page 5:40
For electrical details see page 5:41



Supplied with 838-3 armature plate: see page 5:17.

➤ M838-BW2U hold-open with override



Surface mounted hold-opens with spacer. May be converted to floor or wall mounting. Activated by alarm system, remote switch or manual override button (included). DC only.

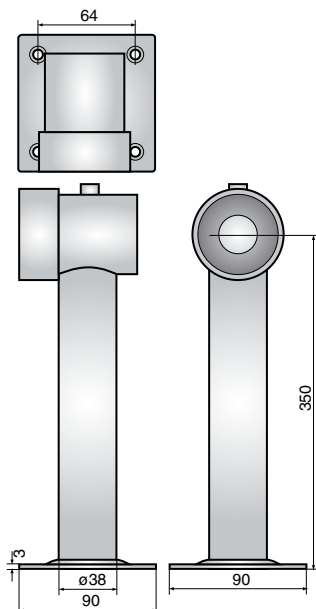
Distance from wall: 155mm
Distance from floor: 110mm
Holding force: 800N (80kg)

Replaces M1370/15 and M1380/15.



EN 50081-1
EN 50081-2
EN 60529
EMC 89/336/EEC

➤ M838-BW4U hold-open with override



Surface mounted hold-opens with adjustable height. May be converted to floor or wall mounting. Activated by alarm system, remote switch or manual override button (included). DC only.

Distance from wall: 395mm
Distance from floor: 350mm
Holding force: 800N (80kg)

Replaces M1370/30 and M1380/30.



EN 50081-1
EN 50081-2
EN 60529
EMC 89/336/EEC

Connect solenoid handle locks



Application

Particularly suitable for use in high-traffic areas where both reliability and security are major considerations. The locks with hookbolts provide increased night-time security while the split follower locks also feature single-action exit.

Cylinders

- ASSA 5-Pin
- ASSA Flexcore Plus
- ASSA 4800
- ASSA Twin Combi
- ASSA dp4400
- ASSA CLIQ



Scandinavian
Oval or Round

Can be incorporated into an ASSA master key system



Supplied with high security striking plate, cable, Classic split spindles and manual.

Recommended specification includes manual override using cylinders, or emergency accessories. Note that a door loop is required: see page 5:37.

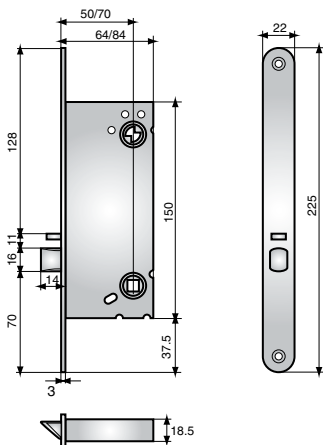
Bolt reversible without opening lockcase. Split follower locks can be controlled electronically or mechanically from either side.

For finishes see page 5:40

For electrical details see page 5:41

For accessories see page 5:37

884 split follower nightlatch



Latchbolt operated by lever handles once a correct opening signal has been received. Key or thumbturn will also operate latch. Latch is automatically deadlocked when the door is closed. Interior lever handle will always operate latchbolt, permitting single-action escape.

Available with either 50mm or 70mm backset. Latchbolt is reversible.

Supplied fail locked and manual operation both sides; may be converted on site to fail unlocked and/or electronic operation (either side).

Microswitch monitors deadlocking of latchbolt.

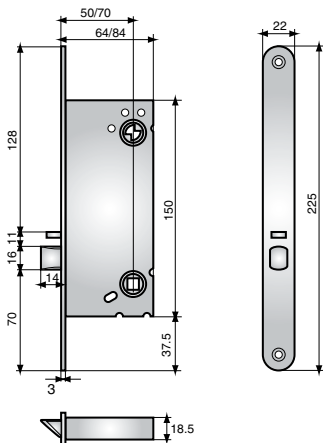
Exterior		Interior
Electrically released handle retracts latchbolt. Key also operates latchbolt.		Lever handle retracts latchbolt.

Low voltage directive
LVD 73/23/EEC (Protection)

1487-2 striking plate
High security striking plate supplied as standard.
Dimensions 200 x 40 mm.

Only recommended for use with sprung lever handles (or unsprung levers fitted with a spring cassette, see page 5:37).

880 nightlatch



Latchbolt operated by lever handles once a correct opening signal has been received. Key or thumbturn will also operate latch. Latch is automatically deadlocked when the door is closed.

Both handles are electrically controlled; exit from interior is only possible electronically or by using the key/thumbturn override.

Available with either 50mm or 70mm backset. Latchbolt is reversible.

Supplied fail locked and electronic operation both sides; may be converted on site to fail unlocked.

Microswitch monitors deadlocking of latchbolt.

Exterior		Interior
Electrically released handle retracts latchbolt. Key also operates latchbolt.		Electrically released handle retracts latchbolt.

Low voltage directive
LVD 73/23/EEC (Protection)

1487-2 striking plate
High security striking plate supplied as standard.
Dimensions 200 x 40 mm.

Only recommended for use with sprung lever handles (or unsprung levers fitted with a spring cassette, see page 5:37).

Connect solenoid handle locks



Application

Particularly suitable for use in high-traffic areas where both reliability and security are major considerations. The locks with hookbolts provide increased night-time security while the split follower locks also feature single-action exit.

Cylinders

- ASSA 5-Pin
- ASSA Flexcore Plus
- ASSA 4800
- ASSA Twin Combi
- ASSA dp4400
- ASSA CLIQ



Scandinavian
Oval or Round

Can be incorporated into an
ASSA master key system



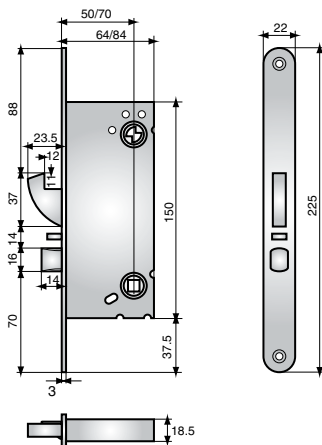
Supplied with high security striking plate, cable, Classic split spindles and manual.

Recommended specification includes manual override using cylinders, or emergency accessories. Note that a door loop is required: see page 5:37.

Bolt reversible without opening lockcase. Split follower locks can be controlled electronically or mechanically from either side.

For finishes see page 5:40
For electrical details see page 5:41
For accessories see page 5:37

885 split follower sash lock



Only recommended for use with sprung lever handles (or unsprung levers fitted with a spring cassette, see page 5:37).

Latchbolt operated by lever handles once a correct opening signal has been received. Key or thumbturn will also operate latch. Latch is automatically deadlocked when the door is closed. Interior lever handle will always operate latchbolt, permitting single-action escape. Hardened steel hookbolt thrown 23.5mm by 90° turn of key or thumbturn.

Available with either 50mm or 70mm backset. Latchbolt is reversible.

Supplied fail locked and manual operation both sides; may be converted on site to fail unlocked and/or electronic operation (either side).

Microswitches monitor deadlocking of latchbolt and position of deadbolt.

Exterior		Interior
Electrically released handle retracts latchbolt.		Lever handle retracts latchbolt.
Key operates deadbolt and latchbolt.		Key or thumbturn operates deadbolt and latchbolt.



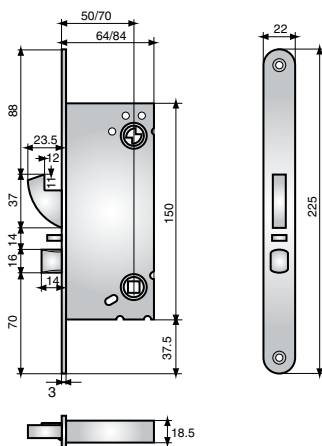
Low voltage directive
LVD 73/23/EEC (Protection)



1487-2 striking plate

High security striking plate supplied as standard. Dimensions 200 x 40 mm.

881 sash lock



Only recommended for use with sprung lever handles (or unsprung levers fitted with a spring cassette, see page 5:37).

Latchbolt operated by lever handles once a correct opening signal has been received. Key or thumbturn will also operate latch. Latch is automatically deadlocked when the door is closed. Hardened steel hookbolt thrown 23.5mm by 90° turn of key or thumbturn.

Both handles are electrically controlled; exit from interior is only possible electronically or by using the key/thumbturn override.

Available with either 50mm or 70mm backset. Latchbolt is reversible.

Supplied fail locked and electronic operation both sides; may be converted on site to fail unlocked.

Microswitches monitor deadlocking of latchbolt and position of deadbolt.

Exterior		Interior
Electrically released handle retracts latchbolt.		Electrically released handle retracts latchbolt.
Key operates deadbolt and latchbolt.		Key or thumbturn operates deadbolt and latchbolt.



Low voltage directive
LVD 73/23/EEC (Protection)



1487-2 striking plate

High security striking plate supplied as standard. Dimensions 200 x 40 mm.

Connect solenoid handle locks



Application

Particularly suitable for use in high-traffic areas where both reliability and security are major considerations. The locks with hookbolts provide increased night-time security while the split follower locks also feature single-action exit.

Cylinders

- ASSA 5-Pin
- ASSA Flexcore Plus
- ASSA 4800
- ASSA Twin Combi
- ASSA dp4400
- ASSA CLIQ



Scandinavian Oval or Round

Can be incorporated into an ASSA master key system

Can be incorporated into an ASSA master key system



Supplied with high security striking plate, cable, Classic split spindles and manual.

Recommended specification includes manual override using cylinders, or emergency accessories. Note that a door loop is required: see page 5:37.

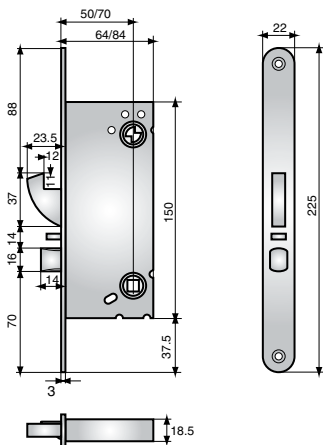
Bolt reversible without opening lockcase. Split follower locks can be controlled electronically or mechanically from either side.

For finishes see page 5:40

For electrical details see page 5:41

For accessories see page 5:37

886 escape split follower sash lock



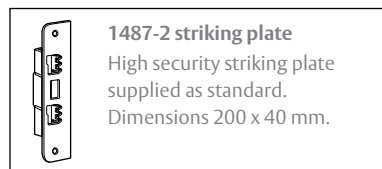
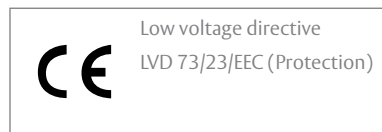
Latchbolt operated by lever handles once a correct opening signal has been received. Key or thumbturn will also operate latch. Latch is automatically deadlocked when the door is closed. Hardened steel hookbolt thrown 23.5mm by 90° turn of key or thumbturn. Internal lever handle retracts both bolts. Supplied with security striking plate.

Available with either 50mm or 70mm backset. Latchbolt is reversible.

Supplied fail locked and manual operation both sides; may be converted on site to fail unlocked and/or electronic operation (either side).

Microswitches monitor deadlocking of latchbolt, position of deadbolt and use of internal lever handle.

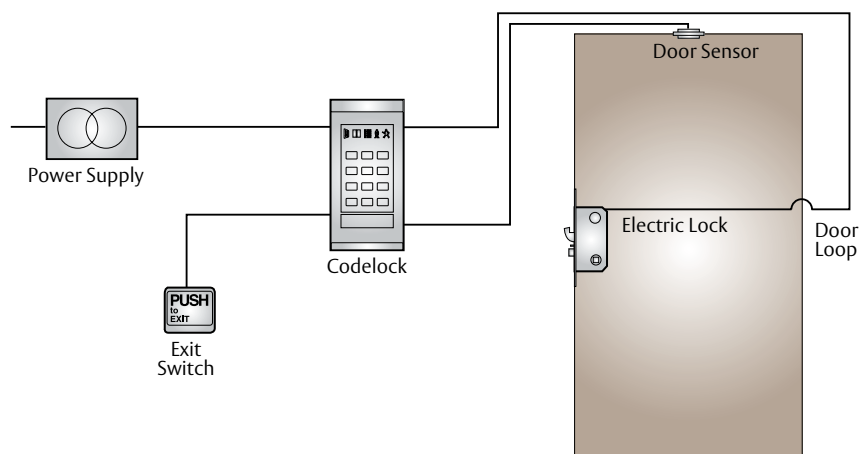
Exterior		Interior
Electrically released handle retracts latchbolt.		Lever handle retracts latchbolt and deadbolt.
Key operates deadbolt and latchbolt.		Key or thumbturn operates deadbolt and latchbolt.



Only recommended for use with sprung lever handles (or unsprung levers fitted with a spring cassette, see page 5:37).

Example of a complete system

- Solenoid Handle Lock
- Cylinder/Emergency Accessory
- Suitable Handles & Accessories
- Split Spindle to suit
- Door Loop
- Card Reader
- Exit Switch
- Power Supply Unit



Connect serial motor locks



Application

For use on premises where a high level of physical security is required, operated from a remote location. Connect is particularly suitable for automatic night-time locking and unattended entrance doors.

Cylinders

- ASSA 5-Pin
- ASSA Flexcore Plus
- ASSA 4800
- ASSA Twin Combi
- ASSA dp4400
- ASSA CLIQ



Scandinavian
Oval or Round

Can be incorporated into an ASSA master key system

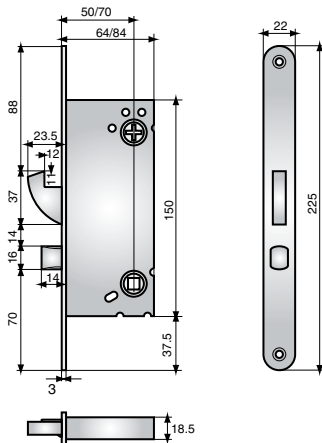


Supplied with DAC430 control unit, 6m connecting cable, and high security striking plates with built-in magnet.

Recommended specification includes manual override using cylinders, or emergency accessories.

For finishes see page 5:40
For electrical details see page 5:41
For compatibility see page 5:39
For accessories see page 5:37

810S sash lock



Hardened steel hookbolt thrown 23.5mm by motor or by 90° turn of key or thumbturn.

Available with either 50mm or 70mm backset.

Secure serial encrypted communication between the control unit and the lock.

Incorporates a built-in magnetic door contact which corresponds to a magnet in the 1487-2 high security striking plate.

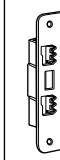
Exterior		Interior
Motor operated deadbolt. Deadbolt may also be retracted by key.		Motor operated deadbolt. Deadbolt may also be retracted by key, thumbturn or emergency accessories.
Lever handle retracts latchbolt.		Lever handle retracts latchbolt.



EN 610006-2
EN 50081-1
EN 50081-2
EMC 89/336/EEC
EMC 93/68/EEC
LVD 73/23/EEC
(Protection)

To be used with DAC430 Control Unit and cabling, etc.
See page 5:25.

See page 5:37 for details of accessories.



1487-2 striking plate
High security striking plate supplied as standard.
Dims 200 x 40 mm

Connect serial motor locks



Application

For use on premises where a high level of physical security is required, operated from a remote location. Connect is particularly suitable for automatic night-time locking and unattended entrance doors.

Cylinders

- ASSA 5-Pin
- ASSA Flexcore Plus
- ASSA 4800
- ASSA Twin Combi
- ASSA dp4400
- ASSA CLIQ



Scandinavian Oval or Round

Can be incorporated into an ASSA master key system



811S

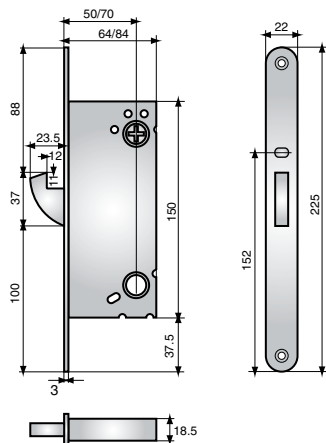
811S/35mm

Supplied with DAC430 control unit, 6m connecting cable, and high security striking plates with built-in magnet.

Recommended specification includes manual override using cylinders, or emergency accessories.

For finishes see page 5:40
For electrical details see page 5:41
For compatibility see page 5:39
For accessories see page 5:37

811S hookbolt lock



Hardened steel hookbolt thrown 23.5mm by motor or by 90° turn of key or thumbturn.

Available with either 50mm or 70mm backset.

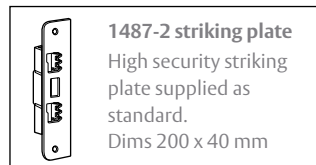
Secure serial encrypted communication between the control unit and the lock.

Incorporates a built-in magnetic door contact which corresponds to a magnet in the high security striking plate.

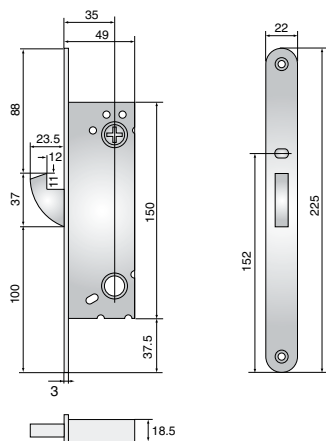
Exterior	Interior
Motor operated deadbolt. Deadbolt may also be retracted by key.	Motor operated deadbolt. Deadbolt may also be retracted by key, thumbturn or emergency accessories.

To be used with DAC430 Control Unit and necessary cabling, etc. See page 5:25.

See page 5:37 for details of accessories.



811S/35mm narrow profile hookbolt lock



Hardened steel swing-type hookbolt thrown 23.5mm by motor or by 90° turn of key or thumbturn.

Available with 35mm backset only.

Secure serial encrypted communication between the control unit and the lock.

Incorporates a built-in magnetic door contact which corresponds to a magnet in the high security striking plate.

Exterior	Interior
Motor operated deadbolt. Deadbolt may also be operated by key.	Motor operated deadbolt. Deadbolt may also be operated by key, or emergency accessories.

To be used with DAC430 Control Unit and necessary cabling, etc. See page 5:25.

See pages 5:37/38 for details of 35mm backset accessories.



Control unit for Connect locks



Application

The DAC-430 Control Unit provides the intelligence of the Connect motor lock system, and allows it to be integrated with a wide variety of other equipment. It may be used with a simple switch, or linked to sophisticated access control, building management, and alarm systems.

For electrical details see page 5.41.

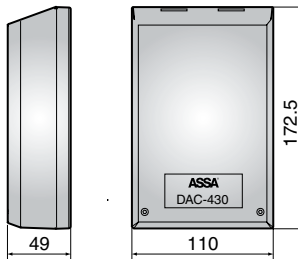


For use with any Connect serial motor lock. One control unit is required per lock. It accepts inputs from any suitable switch, timer or host control system. A full range of status indicators and alarm outputs is incorporated.

Four wiring system
– 2 wires for power supply,
2 wires for communication.
Provides secure encrypted communication.

Should be mounted in a secure area. Not for external use.

↘ DAC-430



Suitable for connection to voltage free contacts from a switch or control system. These can provide either simple unlocking, or an override function where the lock remains unlocked after the first authorised opening signal until the function is turned off again.

The position of the bolt and door is monitored, and alarms will activate if the motor lock is prevented from opening properly.

The bolt will automatically re-lock if the door is not opened within a specified time.

If the bolt is blocked for any reason, the system will repeatedly attempt to throw it again. This is done at 5-second intervals to prevent the motor burning out.

Inputs

- Opening
- Blocking
- External door monitoring switch

Relay Outputs

- Locked
- Unlocked

Alarm Output

- 12V

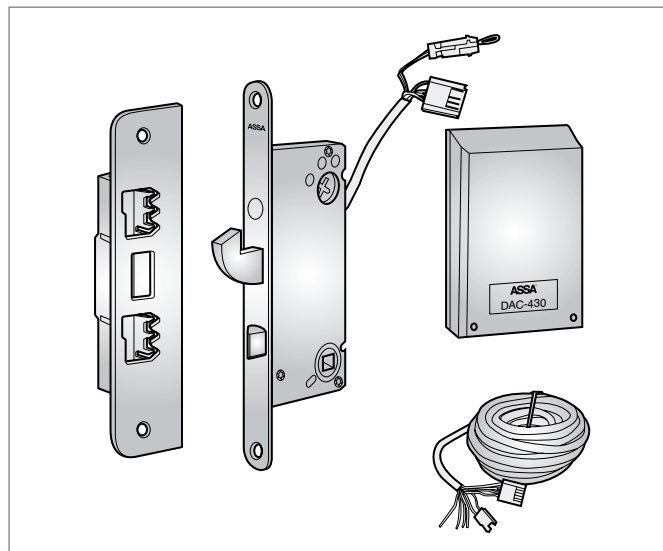


EN 50081-1
EN 50082-2
Residential, Commercial,
Light & Heavy Industry

↘ Connect motor lock package

Each Connect lock is supplied complete with a motor lock, security striking plate with built-in magnet, DAC-430 control unit and 6m connecting cable.

Alternatively available in component form for existing Connect installations.



Example of a complete system

- Serial Motor Lock Package (as shown)
- Cylinder
- Suitable Handles & Accessories
- Door Loop
- Card Reader
- Exit Switch
- Power Supply Unit

Electric cabinet locks

Application

For use on security cabinets, drawers, cupboards and lockers. May be fitted as a stand-alone lock controlled by a keyswitch or control device; remotely operated by a receptionist or guard; or linked so that all cabinets may be locked and unlocked simultaneously.



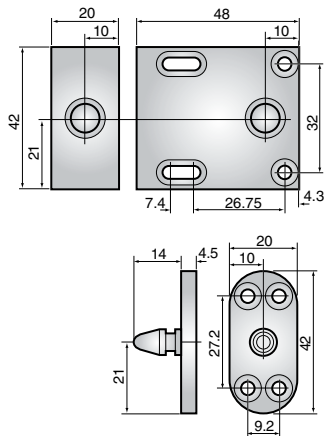
Supplied with locking element (fitted to frame) and rosette (fitted to door), plus screws, washers and fitting instructions. Designed to standard 32mm grid size for ease of fitting.

PVC body.

Suitable for both sliding drawers and hinged doors (with minimum 250mm distance from hinges to position of lock rosette). Not handed.

For electrical details see page 5:41

1048 cabinet lock



Snap-Open Cabinet Lock Fail Locked

The lock opens when the current is on and locks automatically when the current is switched off.

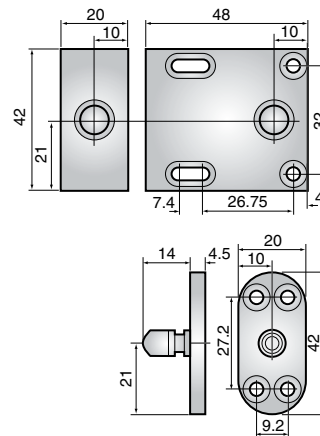
The door is pushed open slightly when the door is unlocked, making this ideal for applications where no external handle is fitted.

Dual voltage 12V/24V AC and DC.

1048BS

Option with microswitch to monitor bolt status.

1049 cabinet lock



Switchable Cabinet Lock Fail Locked/Fail Unlocked

The lock may be set to open when the current is on and lock automatically when the current is switched off (fail locked).

Alternatively, it may be set to be closed as long as the current is on and open automatically when the current is switched off (fail unlocked).

Dual voltage 12V/24V AC and DC.

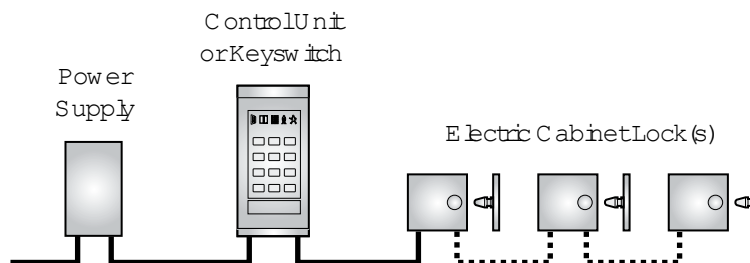
1049BS

Option with microswitch to monitor bolt status.

Example of use

A single lock may be opened by a single switch or reader; alternatively several locks may be linked together so that they are all locked and unlocked at the same time.

This can form part of an access control system which offers features such as audit trails and real-time alarm monitoring.



ASSA Elva



Application

Electric lock with remote control operation for front doors to houses and apartments. Multiple access modes ensure safe escape for residents while providing very high security if the building is left unoccupied.

Cylinders



- ASSA 5-Pin
- ASSA Flexcore Plus
- ASSA 4800
- ASSA Twin Combi
- ASSA dp4400
- ASSA CLIQ

Scandinavian Oval & Round

Can be incorporated into an ASSA master key system

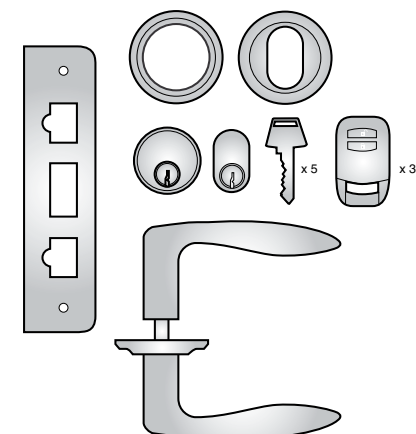
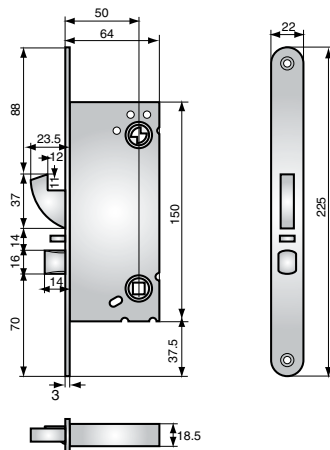
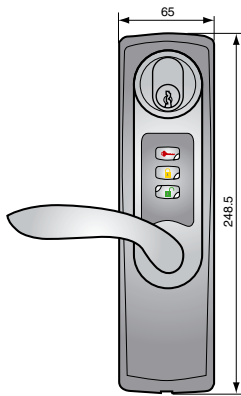


Elva is supplied as a complete package including control unit with batteries, solenoid handle lock, cylinder, keys and fobs, lever handle, accessories and fixings, and full programming and installation instructions.

Handing and direction of door opening should be specified when ordering.

For electrical details see page 5:41

ASSA Elva



Electric lock

Depending on security mode selected, access is gained by key or lever handle. Buttons on the unit fascia control security modes, which may also be changed using a wireless remote control key fob.

Features low-power warning.

Connect 882 solenoid handle lock included in package is available with 50mm backset. Latchbolt is reversible. Hardened steel deadbolt thrown 23.5mm by 90° turn of key.

Control unit requires four AA 1.5V batteries, giving approximately one year of normal use. Key fob uses two CR2025 3V batteries.

Supplied with ASSA 4800 double cylinder, lever handles and accessories.

Exterior		Interior
Key operates deadbolt and latchbolt at all times.		Key operates deadbolt and latchbolt at all times.
Remote fob operates deadbolt and latchbolt in 'Open', 'Day Safe', 'Auto Safe' and 'Night Safe' modes..		Lever handle retracts latchbolt in 'Open', 'Day Safe', 'Auto Safe' and 'Night Safe' modes. Remote fob operates deadbolt and latchbolt in these modes.
Lever handle retracts latchbolt in 'Open' mode only.		

Access modes

Open mode

Door is unlocked; access may be gained from either direction using the lever handle.

Day Safe mode

Door is locked from outside, but can be opened from inside at any time using the lever handle. Once opened in this way the door remains unlocked.

Auto Safe mode

Door is locked from outside, but can be opened from inside at any time using the lever handle. The door will then re-lock automatically once closed again.

Night Safe mode

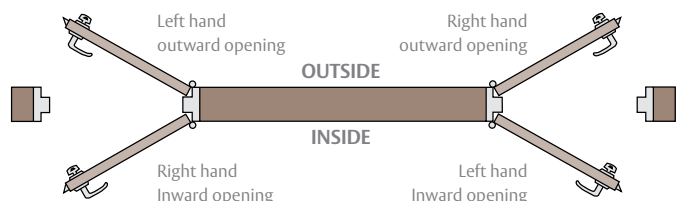
Door is deadlocked using the hookbolt to provide additional security. The door can still be opened from inside at any time using the lever handle.

Home Away Security mode

Door is deadlocked using the hookbolt to provide additional security. The door cannot be opened using the lever handle from either direction, but only operated by key.

Handing

When ordering please specify door handing and opening direction.



Smartair



Application

Proximity reader system for use where access to particular areas must be restricted. For example, doors between public and private areas in universities, colleges, and organisations such as banks and shops; plant rooms and laboratories. When used with a mechanical deadlock also provides out-of-hours physical security.



A Smartair system requires a Starter Kit consisting of a portable programmer, card encoder, system key, user cards and cabling for system set-up. This allows for programming and administration with individual units fitted to each door to complete the system.

For finishes see page 5:40
For electrical details see page 5:41

Smartair systems

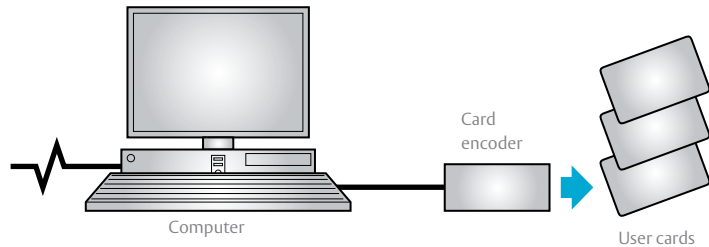
Access control system

System Starter Kit uses TS1000 software and comes with 50 user cards to use with the door units (see page 5:29).

Suitable for use with Windows XP or later versions.

Capacity of up to 1,500 users per door. Licences are available for 10, 30, 75 or unlimited door systems, and may be upgraded.

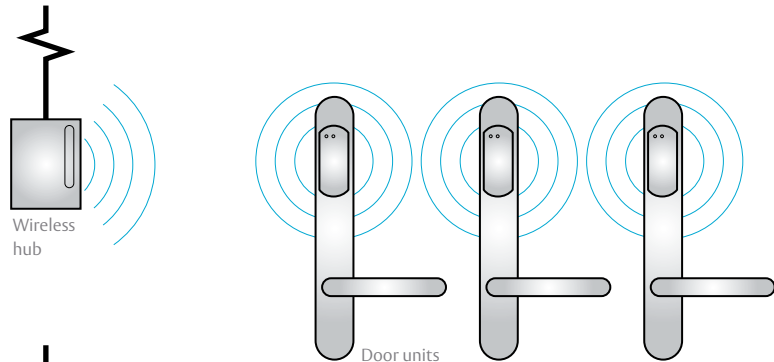
The system offers 14 time zones each with five time periods each. Audit trail records up to 1,000 events.



Smartair Wireless

The system includes a wireless hub which communicates with self-addressing door units. This allows door units to be updated remotely in real time with new access plans or time zones, and provides functions such as lost card cancellation and remote opening. Event audit trails may also be monitored in real time.

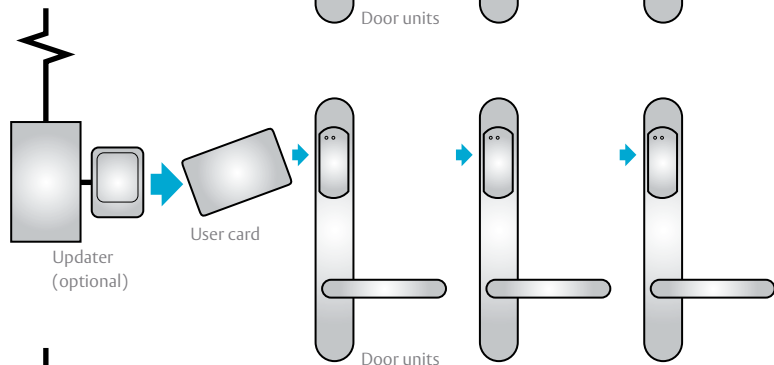
Wireless link uses 868 MHz RF communication with proprietary encryption, and door units maintain full functionality if communication goes down.



Smartair Offline Classic UoC

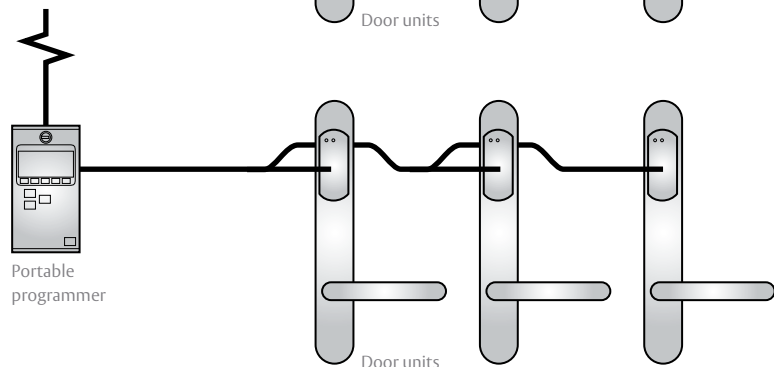
The Classic UoC system allows already-programmed user cards to be updated with new access rights either manually via the card encoder or automatically using an optional Updater unit which may be situated near an entrance.

The updater communicates with the central PC over a network or the Internet using TCP/IP.



Smartair Offline Classic

Door units are programmed for card use and updated using a portable programmer.



Smartair



Application

Proximity readers for use where access to particular areas must be restricted. For example, doors between public and private areas in banks and shops; plant rooms and laboratories. When used with a mechanical deadlock provides out-of-hours physical security.



Smartair door units may be used with any ASSA Modular or Connect Lock with an 8mm through handle follower, and are simple to retro-fit to an existing lock. No cabling is required. Suit 38-44mm thick doors as standard; extended fittings for thicker doors are also available. Handing reversible.

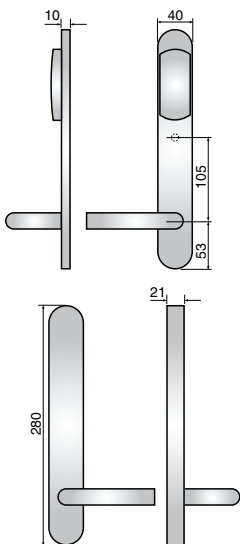
Cover plates for retrofitting are available, see page 5:37.

Stainless steel finish.

For finishes see page 5:40

For electrical details see page 5:41

Smartair door unit



Wireless door unit internal plate has extended battery pack. Dimensions excluding handle H 366 W 56 D 36.5.

Proximity reader

Uses contactless cards or tokens to allow entry. Mifare 1K cards as standard; 4K cards are also available. 10mm read distance.

Real-time clock and calendar, with 14 time zones each with five time periods each. audit trail records up to 1,000 events.

Four operating modes:

- Free way (free access).
- First user (free access after first access by an authorised user).
- Standard (token required for access).
- Double user (two authorised users must both present their tokens to gain access).

IP-54 rated external version also available.

Door unit variations

Smartair door units are available in five variants to suit different combinations of key or thumbturn override.

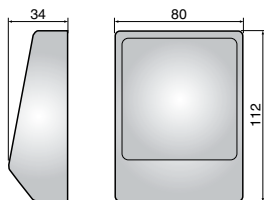
Variations L1S and L2V use the Connect 236 or Modular 8761 lockcase.

Variations L5S, L8V and L3V use the Connect 340 lockcase.

See also page 5:37 for alternative lockcases.

	Exterior		Interior
L1S	Card access at all times.		Lever handle gives free exit at all times.
L5S	Card access unless door has been deadlocked.		Lever handle gives free exit at all times. Thumbturn operates deadbolt and latchbolt.
L8V	Card access unless door has been deadlocked. Key operates deadbolt and latchbolt.		Lever handle gives free exit at all times. Thumbturn operates deadbolt and latchbolt.
L2V	Card access at all times. Key operates latchbolt.		Lever handle gives free exit at all times.
L3V	Card access unless door has been deadlocked. Key operates deadbolt and latchbolt.		Lever handle gives free exit at all times. Key operates deadbolt and latchbolt.

Smartair wall reader



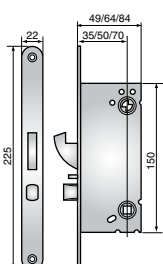
Proximity reader

Wall reader offering the same functionality as the door unit.

For use with electric locking devices. Requires separate cabling and a 12/24V DC power supply.

Suitable for use on external doors: IP-54 rated.

Connect 340 lockcase



Sash lock for Smartair

Hardened steel hookbolt thrown 23.5mm by 90° turn of key or thumbturn. Latchbolt deadlocks automatically when door is closed.

Suitable for variations L5S, L8V, L3V.

Latchbolt is reversible without opening lockcase. Available with 35mm, 50mm or 70mm backset.

EN 13 501-2: 2004
 EN 1634: 2000 - 60 & 90 mins
 Degree of protection:
 IP-54 for EN 60529

The 340 has been tested to EN 12209 as follows:



Codoor and Codoor Biometric



Application

Codelocks for use where access to particular areas must be restricted. For example, doors between public and private areas in banks and shops; plant rooms and laboratories. Biometric readers are recommended for areas where access is strictly limited to certain individuals, for example managers' offices and server rooms. When used with a mechanical deadlock provides out-of-hours physical security.



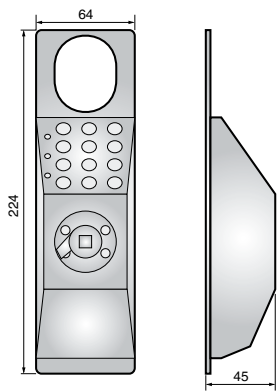
Codoor is supplied with full programming and installation instructions. It may be used with any ASSA Modular or Connect Lock which operates via lever handles, and is simple to retro-fit to an existing lock. No cabling is required. Handing reversible.

The case is stainless steel.

Note: Codoor is not suitable for external use.

For finishes see page 5:40
For electrical details see page 5:41

CD3500 digital codelock



Digital Codelock

Requires entry of a 4-digit passcode in the correct sequence. 10,000 codes available. Programmed to resist attempts to gain access by random trial of codes.

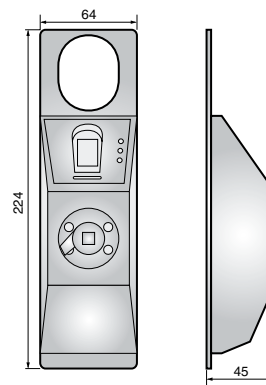
Up to 9 codes may be stored at one time. The unit offers an "always-open" function to permit free access via the lever handle when required.

The unit is programmed from the keypad, without removing the unit from the door.

Features low-power warning and diagnostic mode.

Cylinder, handle and lockcase supplied separately.

FP5000 biometric fingerprint reader



Fingerprint Reader

Fingerprint scanner with concealed keypad for additional security.

Up to 32 fingerprint templates and four 4-digit passcodes may be stored simultaneously.

FAR <0.001%, FRR <1.0%. Verification time less than 1 second.

The unit is programmed from the keypad, without removing the unit from the door.

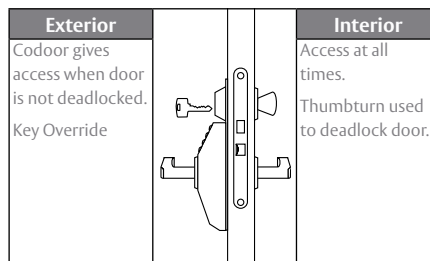
Features low-power warning and diagnostic mode.

Cylinder, handle and lockcase supplied separately.



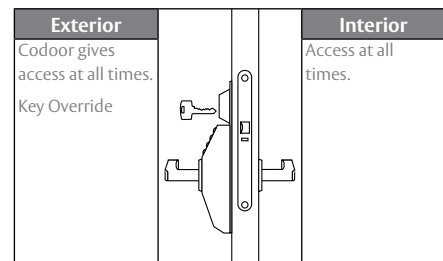
Variations

Codoor may be fitted in many different combinations of locks and accessories. The most common variations are shown on the right.



1. Using 765 or 310 lockcase

The deadbolt is thrown by a key or thumbturn, and is independent of the Codoor. The key also retracts the latchbolt, allowing keyholders to override the Codoor.



2 Using 8761 or 236 Lockcase (Alternatives: 8759, 8762, 234)

A key may also be used to retract the latchbolt, allowing keyholders to override the Codoor.

Note that 70mm backset lockcases should normally be used. Also, we always recommend that a key override is fitted onto the lockcase. This cylinder may form part of a master key system.

We only recommend the use of ASSA Classic sprung lever handles with bolt-through fixing.

Service accessories are available: see page 5:37.

SOLICODE codelocks



Application

For use where access to particular areas is restricted to persons knowing the digital passcode – for example doors between public and private areas in banks and shops; plant rooms, laboratories or other specially designated areas of restricted access. Compatible with electric strikes, motor locks, and other locking devices.

For finishes see page 5:40
For electrical details see page 5:41



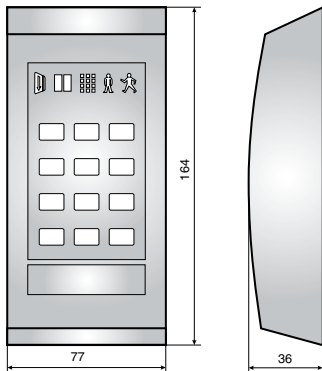
SOLICODE is supplied with full programming and installation instructions. It may be used with any ASSA SOLID electric strike, ASSA Connect motor lock, or other electric locking devices. (Note that magnets must be connected as fail safe electric strikes).

See pages 5:33 and 5:37 for details of exit switches and power supplies.

Suitable for internal and external use.

IP-54 rated housing.

➤ SOLICODE 210CL



Digital Codelock

Compact and easy to install. The unit is programmed from the keypad. The system memory is non-volatile to prevent data loss.

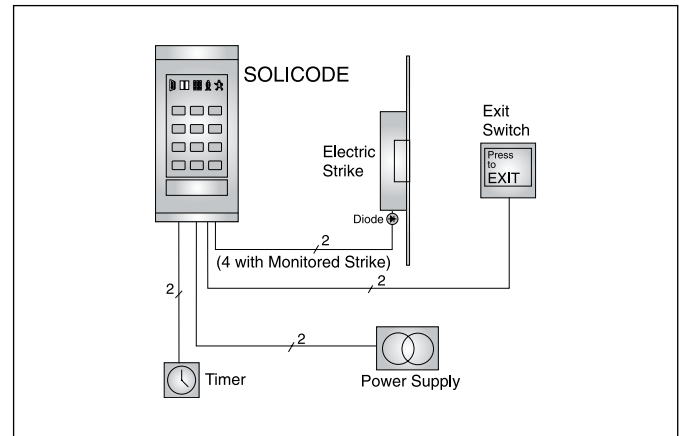
Requires entry of a 4-digit or 6-digit passcode in the correct sequence. Up to 1,000,000 codes available when using 6 digits. Up to 7 codes may be stored at one time.

Automatic anti-manipulation function. Anti-tailgating when used with a monitored electric strike.

May be connected to a remote switch or timer, making certain codes valid at particular times of the day only. An auto-expiry code function is available. Backlit keypad; backlighting can be turned off.

220CL

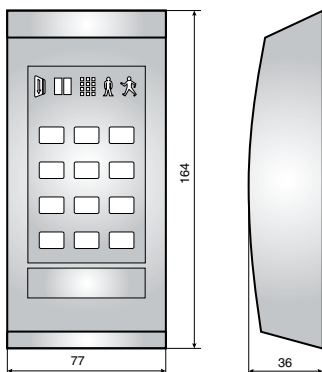
Variant which controls two electric strikes in sequence for use on interlock doors.



Example of a complete system:

- SOLICODE unit
- Electric Strike
- Exit Switch
- Power Supply
- Optional Time Switch

➤ SOLICODE 210DA



Digital Codelock

Includes all the functions of the 210CL with the addition of a built-in duress alarm function. Entering the duress code opens the lock but also triggers a relay which may be used to activate a remote alarm.



EN 50081-1
EN 50082-2
Residential, Commercial,
Light & Heavy Industry

SOLICODE codelock



Application

For use where access to particular areas is restricted to persons knowing the digital passcode – for example doors between public and private areas in banks and shops; plant rooms, laboratories or other specially designated areas of restricted access. Compatible with electric strikes, motor locks, and other locking devices.

For finishes see page 5:40
For electrical details see page 5:41



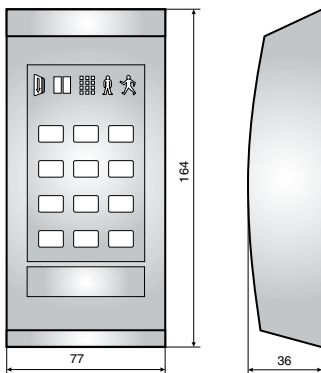
SOLICODE is supplied with full programming and installation instructions. It may be used with any ASSA SOLID electric strike, ASSA Connect motor lock, or other electric locking devices. (Note that magnets must be connected as fail safe electric strikes).

See pages 5:31 and 5:35 for details of exit switches and power supplies.

Suitable for internal and external use.

IP-54 rated housing.

↘ SOLICODE 190CL



Digital Codelock

Compact and easy to install. The unit is programmed from the keypad. The system memory is non-volatile to prevent data loss.

Requires entry of a 4-digit or 6-digit passcode in the correct sequence. Up to 1,000,000 codes available when using 6 digits. Two codes may be stored at one time.

Automatic anti-manipulation function. Anti-tailgating function when used with a monitored electric strike.

May be connected to a remote switch or timer, making one code valid at particular times of the day only. An auto-expiry code function is available.

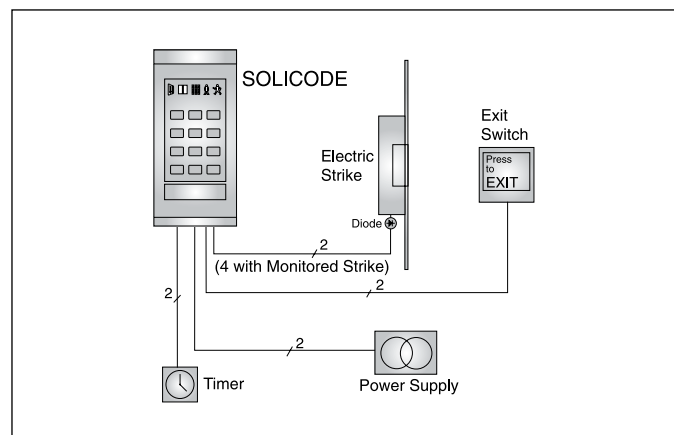


EN 50081-1
EN 50082-2

Residential, Commercial,
Light & Heavy Industry

Example of a complete system:

- SOLICODE unit
- Electric Strike
- Exit Switch
- Power Supply
- Optional Time Switch



Power supply units

Application

Provide a stabilised power supply for use with electric locking and access control products, including electric strikes, Connect motor locks, door magnets, and SOLICODE code locks.

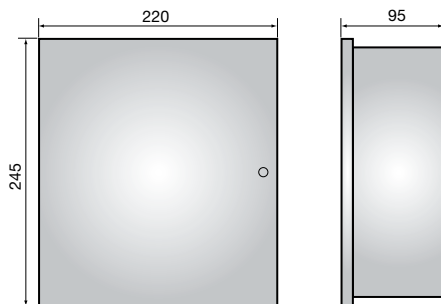


Stabilised DC output. Includes facility for battery backup: 12V 7 Amp/hour.

Standard series

Stabilised power supply units. Three types are available:

- 10 18 99** 12V 1A DC power supply unit
- 10 19 00** 12V 2A DC power supply unit
- 10 19 01** 24V 1A DC power supply unit
- 10 40 84** 24V 2A DC power supply unit



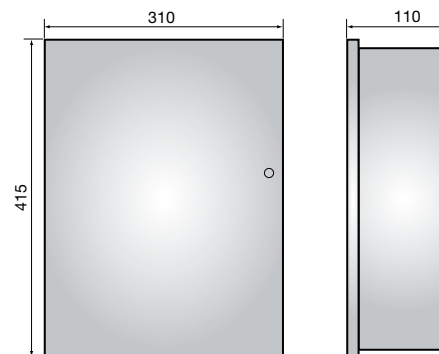
RY2 Relay board available as an option to permit the PSU to be linked to a fire alarm system. (Note: not required on Professional series PSUs.)

Professional series

Stabilised power supply units for use in more demanding applications. Includes monitoring as standard. Certain models are also available in larger case sizes with 5 fused outputs. May be linked to fire alarm systems as standard.

Six types are available:

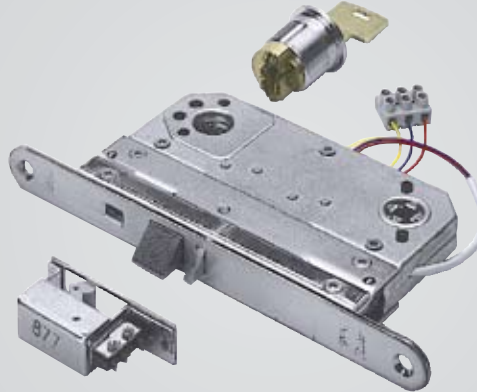
- 10 11 97** 12V 3A DC power supply unit
- 10 11 98** 12V 3A DC power supply unit, large case with 5 outputs
- 10 11 99** 12V 5A DC power supply unit, large case with 5 outputs
- 10 03 70** 24V 1.25A DC power supply unit, PVL30
- 10 12 00** 24V 3A DC power supply unit
- 10 12 01** 24V 3A DC power supply unit, large case with 5 outputs



Microswitches

Application

Microswitches enable the mechanical action of a lock to be used to open or close an electric circuit. Typical uses for this would be to monitor the status of the door or activate an alarm when it is opened. With appropriate cabling the microswitch may also be used to activate other electronic or electromechanical equipment.



All microswitches are of the single-pole double throw type, and so may be connected in either the normally-open or normally-closed position.

For environmental considerations see page 5:40
For wiring and power details see page 5:42

Microswitched lockcases

Internal Microswitches

Many ASSA lockcases may be fitted with internal microswitches. These monitor the following functions:

Connect MA microswitches

Deadbolt fully thrown and deadlocked; deadbolt withdrawn.

Connect MB microswitches

Deadbolt fully thrown and deadlocked; Away Secure snib activated.

Connect MC microswitches

Latchbolt deadlocked; cylinder/turn or lever handle operated; lever handle operated (inside only on split follower locks).

Connect MD microswitches

Latchbolt locked back.

Connect MF microswitches

Latchbolt deadlocked; cylinder/turn operated.

Connect MG microswitches

Latchbolt deadlocked; cylinder/turn operated; exit device operated.

MD & M12 Microswitches

Deadbolt status.

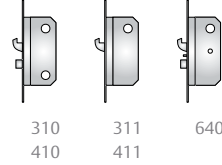
ME & M7 Microswitches

Activates momentarily when the latchbolt is withdrawn by the handle or emergency accessory, but not when the lock is opened by key.

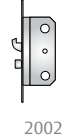
MK Microswitch

Activates momentarily when the latchbolt is withdrawn, whether by key, handle or emergency accessory.

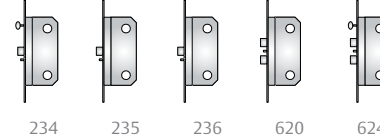
Connect: MA



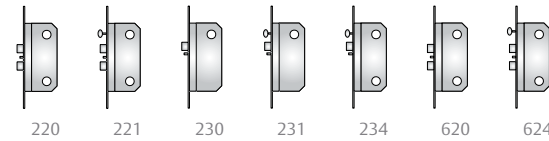
Connect: MB



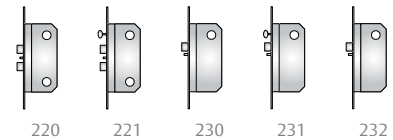
Connect: MC



Connect: MD



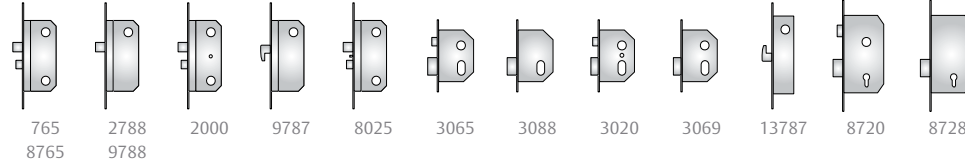
Connect: MF



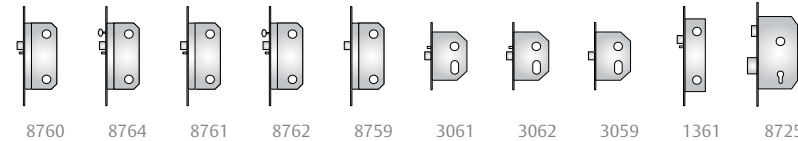
Connect: MG



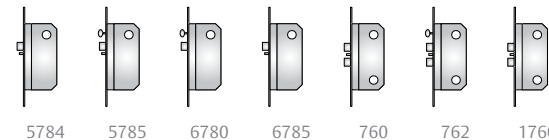
MD



MK/ME



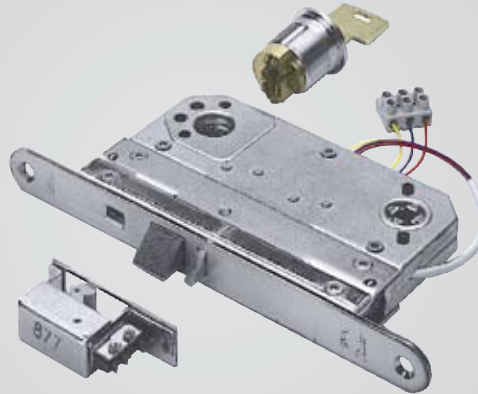
MK



Microswitches

Application

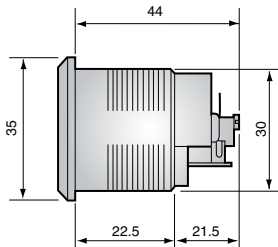
Microswitches enable the mechanical action of a lock to be used to open or close an electric circuit. Typical uses for this would be to monitor the status of the door or activate an alarm when it is opened. With appropriate cabling the microswitch may also be used to activate other electronic or electromechanical equipment.



All microswitches are either the single-pole or bi-stable double throw type, and so may be connected in either the normally-open or normally-closed position.

For environmental considerations see page 5:40
For wiring and power details see page 5:42

↘ Keyswitch



Momentary Action Keyswitch

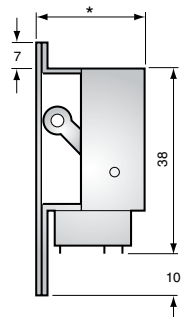
The microswitch is activated by turning the key through 45°. The key cannot be withdrawn from the cylinder without deactivating the switch.

The microswitch may be fitted onto the following cylinders (suffix -K indicates keyswitch version):

- ASSA 5-Pin Series: R551K
- ASSA Flexcore Plus Series: FP551K
- ASSA 4800 Series: 4851K
- ASSA Twin Combi Series: C5851K
- ASSA dp4400 Series: 4451K
- ASSA CLIQ Series: 4451K*

Please see the Cylinders, Padlocks & Key Management Systems section for further details of these cylinders.

↘ Bolt position monitors



* 81/15 = 30mm
81/20 = 34mm

Bolt Position Monitors

The microswitch is activated when the bolt of the lock is thrown and engaged in the striking plate.

81/15 Latchbolt Switch

Welded or glued to a conventional striking plate in place of the box. Will suit any bolt up to 15mm throw, including all ASSA Modular and Compact latchbolts.

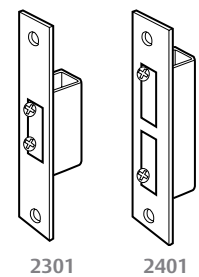
81/20 Deadbolt Switch

Welded or glued to a conventional striking plate in place of the box. Will suit any bolt up to 21mm throw, including all ASSA Modular and Compact deadbolts (except 1520).

82 Microswitch attachment

Fitted to 2301 or 2401 striking plate. Will suit any ASSA Modular deadbolt, or Connect or Modular single nightlatch or latchbolt.

Striking plates for use with 82 microswitch attachment



Applications for microswitches

Monitoring of door status

The microswitch may be used to monitor whether the door is closed and locked. This application would require either a bolt position monitor, an MD microswitch, or a monitored electric strike. The switch would be linked to a status indicator such as an LED. In addition, the more sophisticated access control systems require this information, and so the switch would be linked to the control unit.

Monitoring of lock usage

The microswitch is used to indicate when the door is used. An MK microswitch would indicate all uses of the door. The ME switch allows keyholders to unlock the door without triggering the switch. The microswitch would normally be connected to an alarm such as a buzzer or LED.

Alternatively, a bolt position monitor, MD microswitch, ASSA Connect or monitored electric strike may be used in this application, with the alarm activated when the status of the switch changes.

Alarm bypass (shunt lock)

A deadbolt with MD microswitch may be connected to an alarm system for use as a shunt lock. The lock is fitted to an alarmed door, and wired in such a way that unlocking it will temporarily bypass the alarm.

Connect incorporates this feature as standard.

Activating the alarm

The microswitch may be connected to the building alarm system, so that operating the switch activates the alarm. This application would require either an MD microswitch or a keyswitch.

For example, when used with a deadlock on a final exit door this application ensures that locking the door automatically switches on the building alarm. Unlocking the door again would deactivate the alarm.

Central locking system

The microswitch may be linked to one or a series of electronically operated locks. Activating the microswitch causes these other locks to open or close. This application would normally require either an MD microswitch or keyswitch, but the other types of switch may also be used.



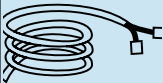
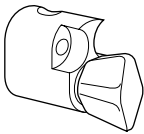
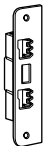

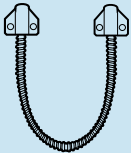
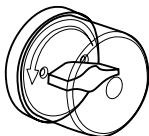

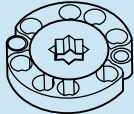
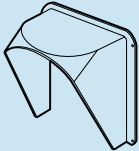
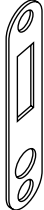

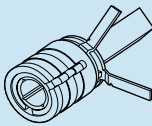
A sample application would be to link the final exit door to a series of ASSA Connect motorlocks, so that locking this door also ensures that the other doors lock simultaneously.

Building management system

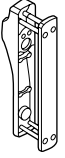

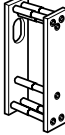

The microswitch may be linked to a Building Management or facility control system. This enables the mechanical action of operating a door or turning a key to be used to activate a wide variety of functions, including turning on the building lights and heating or activating a CCTV camera.

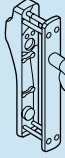
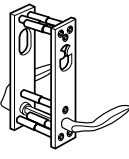
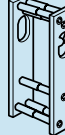
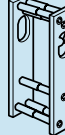
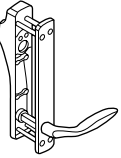
Note: When a microswitch is used to activate other equipment, the power rating should be checked. If necessary, a relay should then be placed in the circuit to protect the microswitch. Compatibility of microswitches with various other components within the electrical circuit should be checked, with particular attention to low voltage circuits (eg anti-tamper circuits).

Accessories

Product	Reference	Description	For use with	Product	Reference	Description	For use with
	10 04 61	Exit Switch with Backbox.	Electric Strikes SOLICODE Connect Other Access Control Systems		Mifare 1K Mifare 4K Tag 1K	Smartcards of various memory sizes as shown.	Smartair Offline, UoC and Wireless systems
	EA225 connection cable	10m connection cable.	Connect motor locks		716	Emergency thumbturn. Spring retained. Available as Round or Oval shape.	Connect 810S Connect 811S
	1487-2 Standard 1487-4 for thicker frames	High security striking plate.	Connect 810S Connect 811S		1487-8	Security striking plate with built-in magnet.	Connect 811S/35mm
	83/400 83/600	Door loop, 6mm max diameter. Length: 83/400: 400mm 83/600: 600mm	Connect and microswitched locks		8060	Emergency break-dome thumbturn. (In lieu of cylinder.)	Connect 810S Connect 811S
	EA280 EA281	Concealed door loop, 7.4mm max diameter. EA280: standard EA281: long, for doors opening more than 120°.	Connect and microswitched locks		10 40 65 spring cassette	Adds stability to handle fitting. May also be used to permit use of unsprung levers with solenoid handle locks.	Unsprung lever handles Connect solenoid handle locks.
	6160 RS	Weather shield.	SOLICODE code locks		60mm plate 70mm plate	Cover plates for retrofitting Smartair to existing ASSA Connect or Modular door preparation. Sizes: 300 x 60mm 310 x 70mm	Smartair proximity locks used with 50mm or 70mm backset lockcase
	Horseshoe spring	Service item.	Codoor		Hub assembly	Service item	Codoor

Accessories

Product	Reference	Description	For use with
	44159E	Outside cylinder ring. Inside blind rose.	Connect 35mm locks (requires Scan. Oval rim cylinder with long tailpiece)
	44459E	Outside cylinder ring. Inside cylinder ring.	Connect 35mm locks (requires Scan. Oval rim cylinder with long tailpiece)
	4659E SCD	High security. Outside cylinder ring. Inside blind rose.	Connect 35mm locks To suit door thickness 65mm
	Distance Plates	Sizes available: 2mm 4mm	Fitted beneath SCD high security accessories on doors of less than 65mm thickness

Product	Reference	Description	For use with
	44859E	Outside cylinder ring. Inside thumbturn.	Connect 35mm locks (requires Scan. Oval rim cylinder with long tailpiece)
	5559E SCD	High security. Outside cylinder ring and handle. Inside cylinder ring and handle.	Connect 35mm locks To suit door thickness 65mm
	4559E SCD	High security. Outside cylinder ring. Inside cylinder ring.	Connect 35mm locks To suit door thickness 65mm
	84562E	Emergency thumbturn	
	23699E	High security. Outside cylinder ring. Inside handle.	Connect 35mm locks

Retrofitting electric strikes

Application

ASSA retrofit striking plates are mechanical striking plates designed to be a direct replacement for an electric strike with the equivalent faceplate (eg strike 510R can be fitted in place of a Medium Security Electric Strike with faceplate 510).

This allows a door to be fitted with a mechanical striking plate and then easily changed to an electric strike, or vice-versa.

Medium Security



510R
Retrofit Strike



510B
Blind Strike
(Blanking Plate)

Universal



730R
Retrofit Strike



732B
Blind Strike
(Blanking Plate)

High Security



824R
Retrofit Strike



824B
Blind Strike
(Blanking Plate)

Electric strike compatibility

Although recommended for use with ASSA lockcases, ASSA SOLID Electric Strikes can be used with other makes of lock. Consult your stockist for suitability. The ANSI Strike is designed to fit locks commonly found in narrow section aluminium doors.

For more detailed information on ASSA lockcases please refer to the separate Lockcases section. No ASSA lockcases other than those mentioned here are suitable for use with ASSA SOLID Electric Strikes.

ASSA LOCK	ELECTRIC STRIKES BY FACEPLATE TYPE											Smart-air	Codoor (70mm backset only)
	High security		Hookbolt strike	Deadbolt strike	Universal			Medium security		Euro Strikes			
	13	16, 24 823	183, 184 283, 284	625 635	732 733	730 731	ANSI	5 10	505 510	Short	Long		
Nightlatches, emergency nightlatches & double nightlatches – Connect & Modular													
230 / 231 / 232	●	✓	✗	✗	✓	●	●	●	✓	✗	✗	✗	✗
5784 / 5785 / 6785	●	✓	✗	✗	✓	●	●	●	✓	✗	✗	✗	✗
6780	✓	✓	✗	✗	✓	●	✓	✓	✓	✗	✗	✗	✗
235	●	✓	✗	✗	✓	●	●	●	✓	✗	✗	✗	✗
8760 / 8764	●	✓	✗	✗	✓	●	●	●	✓	✗	✗	✗	✗
236 / 234	●	✓	✗	✗	✓	●	●	●	✓	✗	✗	✓	✓
8761 / 8762	●	✓	✗	✗	✓	●	●	●	✓	✗	✗	✓	✓
8759	✓	✓	✗	✗	✓	●	✓	✓	✓	✗	✗	✓	✓
220 / 221	✗	✗	✗	✗	✗	✓	✗	✗	✗	✗	✗	✓	✓
760 / 762 / 1760	✗	✗	✗	✗	✗	✓	✗	✗	✗	✗	✗	✓	✓
Split follower locks – Connect & Modular													
620 / 624 & 500	✗	✗	✗	✗	✗	✓	✗	✗	✗	✗	✗	✗	✓
640	✗	✗	✓	✗	✗	✓	✗	✗	✗	✗	✗	✗	✓
1520	✗	✗	✗	✗	✗	✗	✗	✗	✗	✗	✗	✗	✓
Sash locks – Connect & Modular													
310	✗	✗	✓	✗	✗	✗	✗	✗	✗	✗	✗	✓	✓
410 / 2002 / 710	✗	✗	✓	✗	✗	✗	✗	✗	✗	✗	✗	✗	✗
765	✗	✗	✗	✓	✗	✓	✗	✗	✗	✗	✗	✓	✓
8765 / 2000	✗	✗	✗	✓	✗	●	✗	✗	✗	✗	✗	✗	✗
340	✗	✗	✗	✗	✗	✗	✗	✗	✗	✗	✗	✓	✗
Deadlocks – Connect & Modular													
311 / 411 / 711	✗	✗	✓	✗	✗	✗	✗	✗	✗	✗	✗	✗	✗
2788 / 9788	✗	✗	✗	✓	✗	✗	✗	✗	✗	✗	✗	✗	✗
Latches													
212 & 1498 & 3098	✓	✓	✗	✗	✓	●	✓	✓	✓	✗	✗	✗	✗
Compact nightlatches													
3084 / 3085	●	✓	✗	✗	✓	●	●	●	✓	✗	✗	✗	✗
3059	✓	✓	✗	✗	✓	●	✓	✓	✓	✗	✗	✗	✗
3061 / 3062	●	✓	✗	✗	✓	●	●	●	✓	✗	✗	✗	✗
Narrow profile nightlatches													
1361 / 1385	●	✓	✗	✗	✓	●	●	●	✓	✗	✗	✗	✗
Small case lock													
785	●	✓	✗	✗	●	●	●	●	✓	✗	✗	✗	✗
Euro D450 locks													
D4522 / D452	✗	✗	✗	✗	✗	✗	✗	✗	✗	✓	●	✗	✗
D455 / D453 / D458	✗	✗	✗	✗	✗	✗	✗	✗	✗	✗	✓	✗	✗

✓ Fully Compatible ● Not Fully Compatible ✗ Not compatible

Although the lock may be used with this strike, not all the features will be available. Therefore this combination is not recommended.

Finishes

In the increasingly polluted atmosphere in which we live, the demands on products to resist corrosion are particularly high.

ASSA products have the benefit of the latest automatic plating equipment which incorporates the best of modern plating processes. This ensures that the quality of the finish is always guaranteed.

- ✓ Standard finish
- Special finish

	Satin chrome Fin 13	Satin aluminium Fin 17	Stainless steel Fin 19	Polished brass Fin 20	Satin brass Fin 21	Bright zinc Fin 57	Black Fin 64	White Fin 85
High sec/fail safe strikes						✓		
Hookbolt & deadbolt strikes			✓					
Medium sec/universal strikes						✓		
Euro strikes						✓		
Connect locks	●					✓		
Door magnets		✓						
SOLICODE							✓	✓
Smartair			✓	●				
Codoor			✓					
Microswitched lockcases	●			●				

Operating requirements

Electric strikes

Suitable for use on external doors.

Fitting requirements

The gap between the electric strike and door frame should be 3mm ±1mm.

Ensure that the lockcase anti-thrust bolt is held in by the strike faceplate when the door is closed.

Electric cabinet locks

For internal use only.

For use in dry environments.

Temperature range, 1048: -20°C to +60°C.

Temperature range, 1049: +10°C to +40°C

Fitting requirements

Lock fits to frame and rosette to door or drawer. Minimum 250mm between hinges and position of rosette on hinged doors.

Connect locks & DAC430

Lockcases suitable for use on external doors.

20% to 90% relative humidity.

Temperature range -40°C to +70°C.

DAC430 control unit for internal use.

Temperature range +5°C to +40°C.

Fitting requirements

Connect lockcases will operate with a frame pressure of up to 10 N. DAC430 should be fitted with the cabling supplied in a secure location to guard against tampering.

Magnets & door releases

Suitable for use on external doors (except M8000/M8005, which are suitable for internal use only.)

M8011/M8022 are suitable for heavy doors and perimeter doors.

M8065 weatherproof magnets are IP65 rated, dust-tight and suitable for use in locations exposed to heavy water spray.

M8031X002 is recommended for mortice fixing only.

Casing is anodised aluminium (except M8031X002 - nickel plating with black powder coated housing).

ASSA Elva

Suitable for use on perimeter doors, provided the unit is shielded from extremes of weather.

For use in dry environments. Temperature range +15°C to +50°C.

Smartair

Suitable for use in humidity up to 85% (non-condensing), external temperature -20°C to +70°C, internal temperature +0°C to +50°C.

External version is IP-54 rated.

Codoor

For internal use only.

For use in dry environments.

Temperature range +0°C to +50°C.

Fitting requirements

Must be mounted vertically on the flat surface of the door.

Ensure screws are not over-tightened or spindle is too long.

Ensure that the square red cutout on the spindle follower is fitted pointing downwards.

SOLICODE

Suitable for use on external doors, provided the unit is shielded from extremes of weather. IP-54 rated.

Fitting requirements

Ensure that power cables are shielded and kept separate from data cables. A weather shield is recommended when fitted externally.

Microswitches

Suitable for use on external doors.

Temperature range -54°C to +85°C.

Fitting requirements

Microswitched lockcases are the same dimensions as the standard product. However, additional space should be allowed in the mortice of the door to accommodate the cables.

Electrical details

See page 5:33 for details of power supply units.

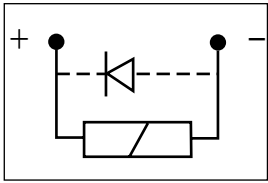
Most ASSA access control equipment is tolerant of a wide range of voltages, giving increased flexibility when specifying and installing the products.

Product	Power supply	Current usage		Notes
		12V	24V	
High security electric strike - fail locked	12 V or 24 V DC	300 mA	160 mA	Continuous duty rated (DC).
High security electric strike - fail safe	12 V or 24 V DC	490 mA	230 mA	Continuous duty rated (DC).
Hookbolt electric strike	12 V or 24 V DC	540 mA	270 mA	Continuous duty rated (DC).
Deadbolt electric strike	12 V or 24 V DC	340 mA	170 mA	Continuous duty rated (DC).
Universal electric strike	12-24 V AC or DC	340 mA – 105 mA		Continuous duty rated (DC).
Medium security electric strike	12 V or 24 V DC	190 mA	110 mA	Continuous duty rated (DC).
Euro electric strike	12 V or 24 V DC	270 mA	120 mA	Continuous duty rated (DC).
Magnet	12 V or 24 V DC	450 mA	230 mA	Continuous duty rated. Current consumption for M8022 double magnet is twice that listed.
Weatherproof magnet	12 V or 24 V DC	500 mA	250 mA	Continuous duty rated (DC).
Shearmagnet	12 V or 24 V DC	300 mA – 1500 mA	200 mA – 700 mA	Continuous duty rated (DC).
Door release 800N	24 V DC	n/a	60 mA	Mechanical override version available.
Door release 1100N	24 V DC	n/a	100 mA	
Electric cabinet lock 1048	12-24 V AC or DC (DC recommended)	900 mA	450 mA	Monitored version available.
Electric cabinet lock 1049	12-24 V AC or DC (DC recommended)	260 mA	130 mA	Monitored version available.
Connect solenoid handle lock	12 V or 24 V DC	130 mA	60 mA	Continuous duty rated (DC).
Connect serial motor lock	17-24 V AC or DC (or 12V DC stabilised)	800 mA – 350 mA		Relay load 1 A max. Peak load 800 mA is for 0.1s.
ASSA Elva	4 x 1.5 V AA batteries (standard alkaline)	n/a	n/a	Features low battery warning.
Smartair	3 x 1.5 V AAA batteries (standard alkaline)	n/a	n/a	Features low battery warning.
Smartair Wireless	2 x 1.5 V AA batteries (standard alkaline)	n/a	n/a	Features low battery warning.
Codoor	2 x 9 V PP3 batteries (Lithium recommended)	n/a	n/a	Lithium batteries available from ASSA stockists. Features low battery warning and power shut-off.
SOLICODE	12-24 V AC or DC	100 mA – 10 mA		1 A / 24 V output.

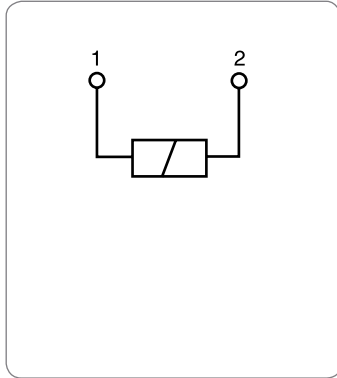
Electrical details

On electric strikes, we recommend fitting a diode or rectifier between the power supply unit and the electric strike. A diode must be fitted to Medium Security strikes.

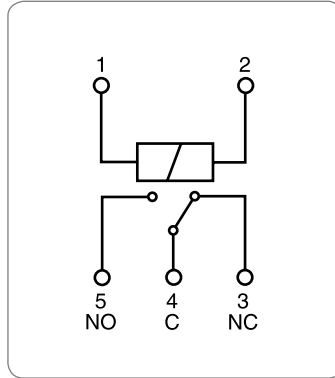
However, a separate diode is not required on Hookbolt, Deadbolt and Universal strikes.



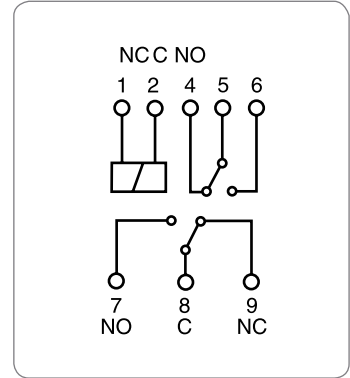
For wiring details of Connect, SOLICODE and SOLICARD see relevant pages.



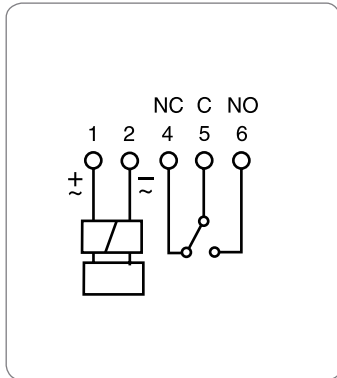
Unmonitored electric strike



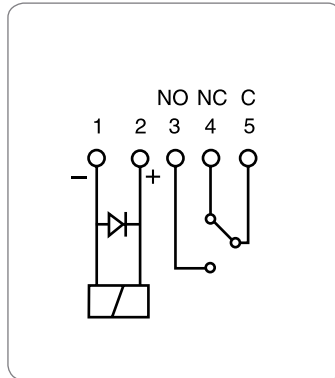
Monitored electric strike



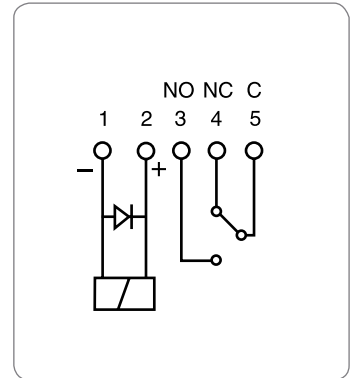
Double monitored electric strike 8131E



Universal strike
(Terminal 3 not used)



Deadbolt strike
(Terminals 6, 7, 8 not used)



Door magnet

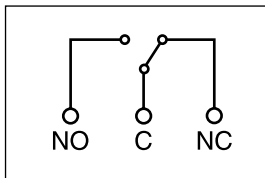
Operating requirements

All microswitches are of the single-pole double-throw type. They may therefore be connected in either the normally-open or normally-closed position.

Microswitches in SOLID strikes have a maximum power rating of 1 A at 24 V DC.

Microswitches in ASSA Connect solenoid handle locks have a maximum power rating of 100 mA at 50 V DC.

Microswitches in mechanical lockcases have a maximum power rating of 2A at 24V DC.



CONTACT FUNCTIONS
 NO = Normally open (BLUE)
 NC = Normally closed (YELLOW)
 C = Common (RED)