

Bolton Gate Company's Insulated Rolling Shutter sets the industry standard when there is a requirement for either an acoustic, insulated, secure or weatherproof closure for any opening be it large or small.

This door system is perfectly suited for loading bays, factories, warehouses, and any applications where either security, acoustic performance, thermal insulation, or a combination of these factors is a requirement.

These Insulated Rolling Shutters doors have been used extensively on projects both in the UK and worldwide where their integral strength and robust design assures continued reliability of operation and optimum design life.

Performance Characteristics:

Resistance to Wind Load – Class 5
Thermal Resistance – $1.1W/(m^2K)$ at centre / $3.2W/(m^2K)$ at quirks
Sound Reduction – 18dB Rw

Accreditations:

BS EN ISO 10140-2:2010 – Measurements of Airborne Sound Insulation.

Applications Include:

Loading Bays; Factories; Boiler and Turbine Halls; Recording and TV Studios.

STANDARD SPECIFICATION

Operation

Tubular Motor

- To suit 230-volt nominal, 1 phase supply.
- External safety brake.
- Low level keyswitch.

Direct Drive Motor

- 400-volt nominal, 3 phase supply
- Integrated safety brake.
- Open / Close / Stop push button integrated in low level control panel.

Manual overrides are supplied for use in the event of power failure.

Curtain

The shutter curtain is constructed using continuously interlocked 95mm deep galvanised steel foam bonded insulated laths secured by endlocks.

Bottom Rail

An extruded aluminium bottom rail is provided with a rubber weatherstrip.

Side Guides

Vertical guides are formed from rolled galvanised steel in a double rebate profile and fitted with twin brush strips. Full height angles are provided for mounting to the structure.

Roller

The roller is constructed from seamless steel tube of adequate diameter to resist deflection and held in bearings attached to the endplate.



Endplates

Formed using prime painted mild steel of thickness to suit the respective opening size and provided with angles for fixing to the structure.

Casings

A galvanised steel coil casing and motor casing are provided as standard to close off the operating mechanism and complete the aesthetic appearance of the door. On the tubular motor system, the casing is a more compact chamfered design.

Finish

Galvanised steel is the default finish but refer to Options below for alternatives.

MAXIMUM SIZES

Tubular Motor option: 6000mm wide x 3000mm high

Direct Drive option: 10,000mm wide x 10,000mm high
(Please contact our sales team to discuss if there is a requirement beyond these dimensions)

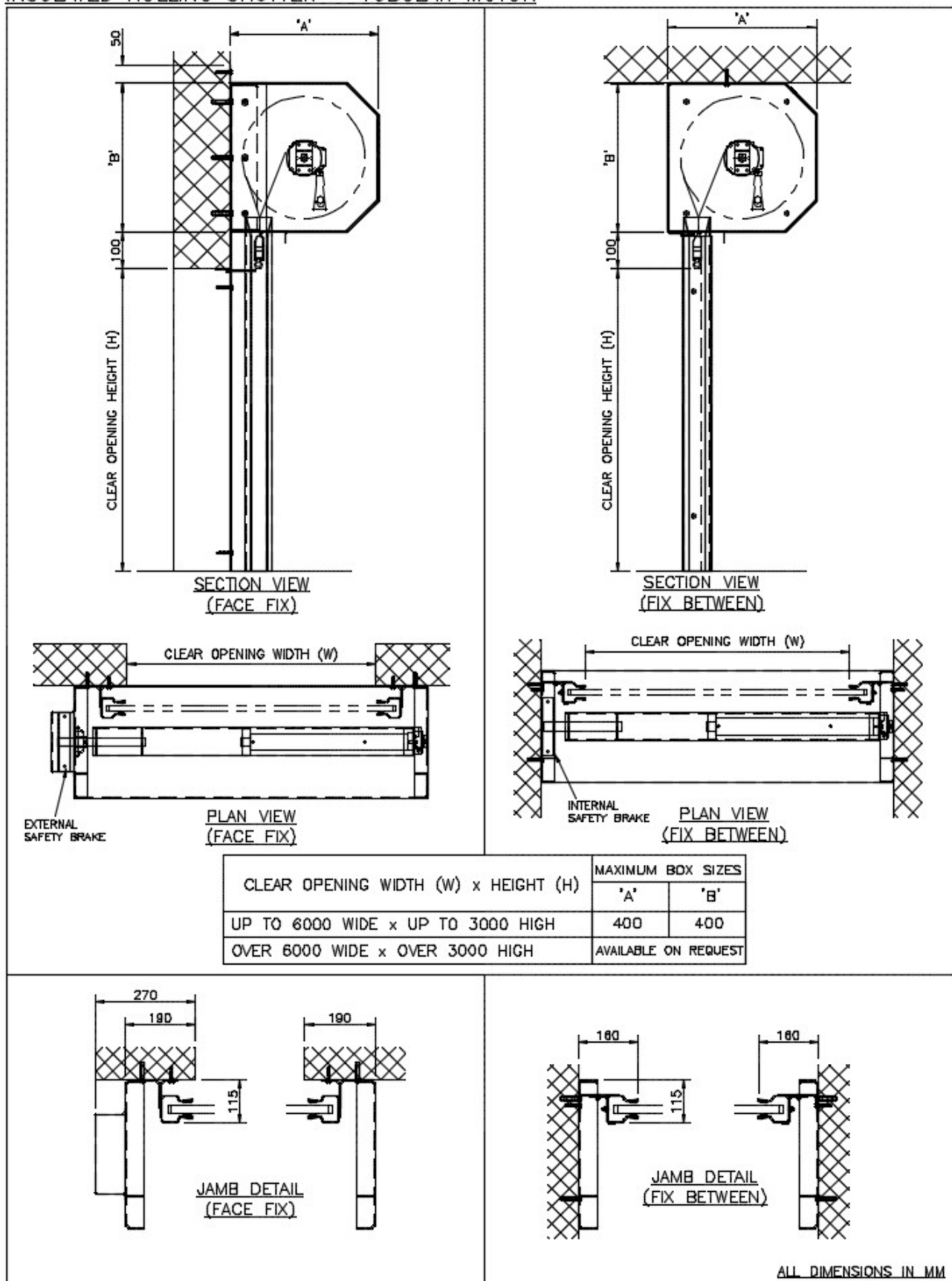
WEIGHT

Varies with opening size but approximately 45kg/m².

OPTIONS

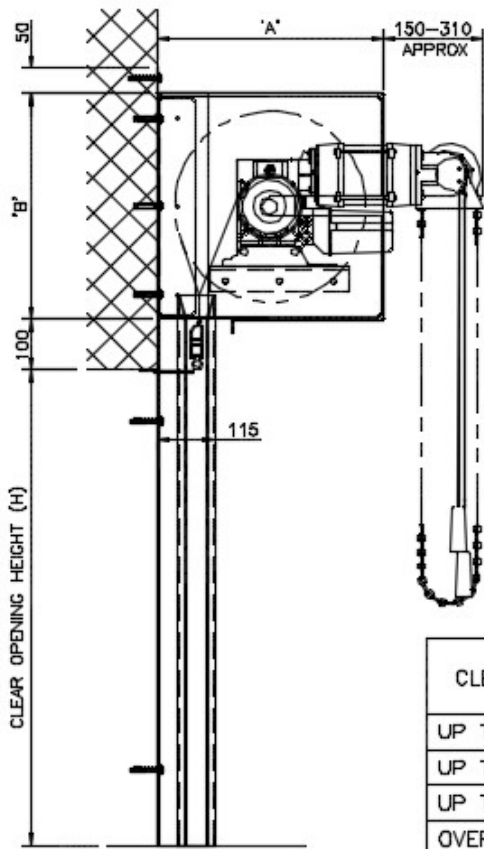
- Polyester powder coat finish.
- Plastisol finish to curtain remaining components with polyester powder coat finish.
- Radio Controls.
- Radar Sensors.
- Time delayed closure.
- Double glazed vision panels.

INSULATED ROLLING SHUTTER – TUBULAR MOTOR



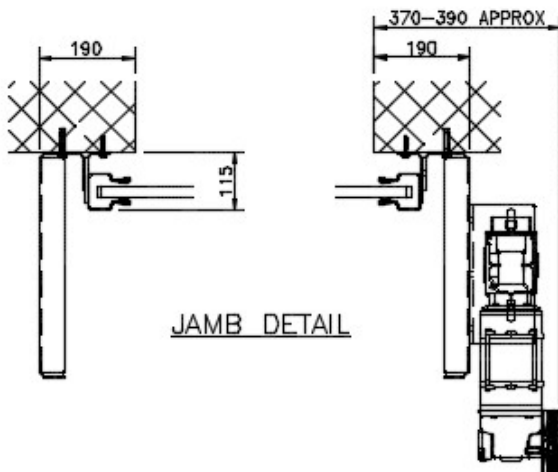
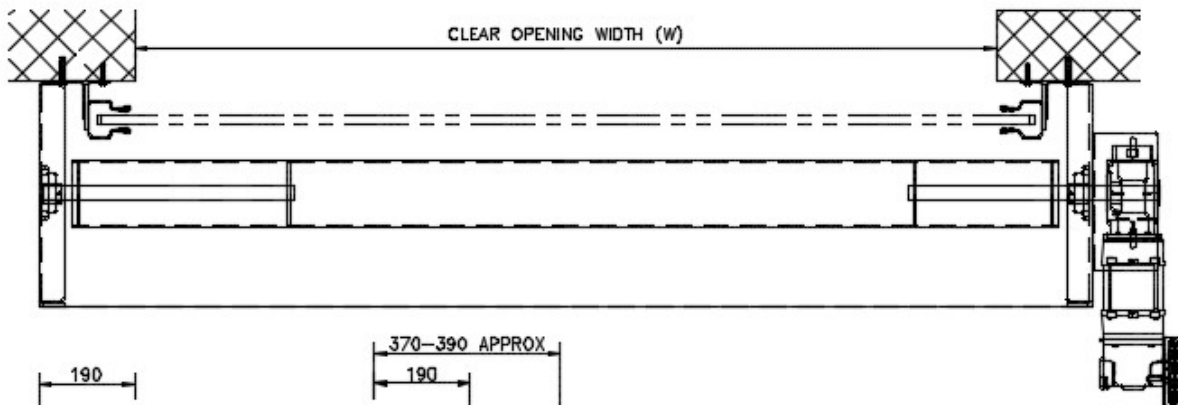
ALL DIMENSIONS IN MM

INSULATED ROLLING SHUTTER – DIRECT DRIVE



SECTION VIEW

CLEAR OPENING WIDTH (W) x HEIGHT (H)	MAXIMUM BOX SIZES	
	'A'	'B'
UP TO 7000 WIDE x UP TO 3000 HIGH	450	450
UP TO 7000 WIDE x 3001-5000 HIGH	500	550
UP TO 7000 WIDE x 5001-7000 HIGH	550	600
OVER 7000 WIDE x OVER 7000 HIGH	AVAILABLE ON REQUEST	



JAMB DETAIL

ALL DIMENSIONS IN MM