



**Bolton Gate** Company

## MARINE ROLLER SHUTTER

Heavy Duty Thermally Insulated Marine Roller Shutter

Data Sheet 3-20

May 22



Photo: Courtesy of Rich Turner, British Antarctic Survey.

### MARINE ROLLER SHUTTER SPECIFICATION SUMMARY

Bolton Gate Company have manufactured and supplied the Marine Roller Shutter for over 60 years. Such a wealth of experience has been developed through working alongside our Clients on many prestigious projects worldwide.

With its heavy duty, robust and yet compact construction the Bolton Gate Company Marine Roller Shutter is the optimum choice on a wide range of Naval, Merchant and Civilian vessel projects.

IP rated control equipment and a range of finishes, including 316L stainless steel, coupled with technical design and bespoke construction ensure that the shutter has been able to satisfy many varied specification requirements such as radiused and pitched openings over lifeboat deployment cranes and extreme operating temperatures, as low as  $-45^{\circ}\text{C}$ , for polar exploration vessels.

#### Applications Include:-

The Marine Roller Shutter is used on a wide range of applications including: Marine ROV garages, Submersible garages, Lifeboat hangars, Helicopter hangars, Storage facilities and even moon pool hangars.

The types of vessel are varied but include: Cruise ships, Super Yachts, Ferries, Naval Vessels, Drilling Platforms, FPSOs, OS Vessels and Oceanographic Exploration Vessels.

#### Performance Characteristics:

$\pm 7^{\circ}$  Pitch and  $\pm 5^{\circ}$  Roll operating conditions as standard.  
Resistance to Wind Load - Class 5 as standard.  
Sound Reduction - 18dB RW.

#### Key Attributes:

High wind load capabilities (up to 62.6m/sec).  
Thermally rated.  
Acoustically rated.  
Capable of operating in extreme low temperatures.  
Compact design requiring minimal side room.  
Weather resisting capabilities.  
Choice of marine finishes.



**Bolton Gate** Company

## MARINE ROLLER SHUTTER

Heavy Duty Thermally Insulated Marine Roller Shutter

Data Sheet 3-20

May 22

### Operation

A direct drive motor is provided as standard:-

- To suit a 400v nominal, 3ph, 50 Hz supply.
- IP65 rated.
- Including EMC Shielding to EN61000-2-2:2005
- Integrated safety brake.
- Manual haul chain for use in the event of power failure.

The control panel is IP67 rated and is complete with Grade 304 stainless steel enclosure to facilitate EMC shielding. The panel also includes:-

- Integrated open / close / stop constant pressure push buttons.
- Facility to receive signals from vessel management system.
- Programmable outputs for status indication.

A whole array of optional control equipment can be provided please discuss your requirements with our technical sales team.

### Curtain

The shutter curtain is formed using heavy duty but light weight 95mm foam bonded insulated laths complete with endlocks.

### Bottom Rail

An extruded aluminium bottom rail is mounted to the foot of the curtain which houses the EPDM weather seal.

### Side Guides

Vertical guides are formed from rolled galvanised steel in a double rebate profile and fitted with twin brush strips. Full height angles are provided for mounting to the structure.

### Roller

This is formed using a seamless tube designed to resist deflection and mounted in bearings attached to the end-plates.

### To specify this product please state:

**Marine Roller Shutter** shall be by Bolton Gate Company Ltd, Waterloo Street, Bolton BL1 2SP, UK

**Tel:** 01204 871001;

**E-mail:** [sales@boltongate.co.uk](mailto:sales@boltongate.co.uk) **Web:** [www.boltongate.co.uk](http://www.boltongate.co.uk)



Photo: Courtesy of Mike Glostein, British Antarctic Survey.



### Endplates

Formed using steel of thickness to suit the required opening dimensions and provided with angles for fixing to the structure.

### Casings

A galvanised steel coil casing and motor casing are both included as standard to close off the operating mechanism and complete the aesthetic appearance of the door.

### Finish

The shutter curtain has a plastisol finish applied to both sides from a range of standard colours. The remaining exposed steelwork is supplied with a C4M polyester powder coat finish to a corresponding colour.

### Maximum sizes

10m clear width and 10m clear height  
(Subject to a maximum of 50m<sup>2</sup>).

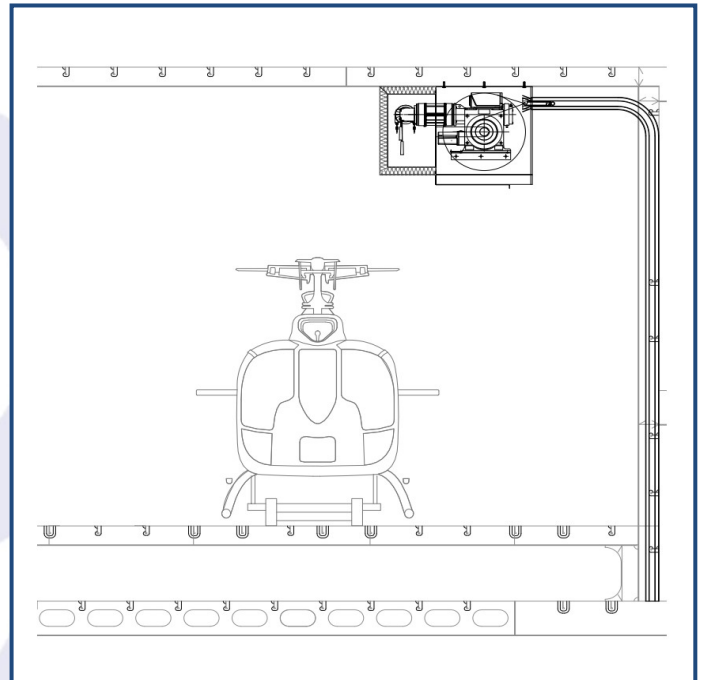
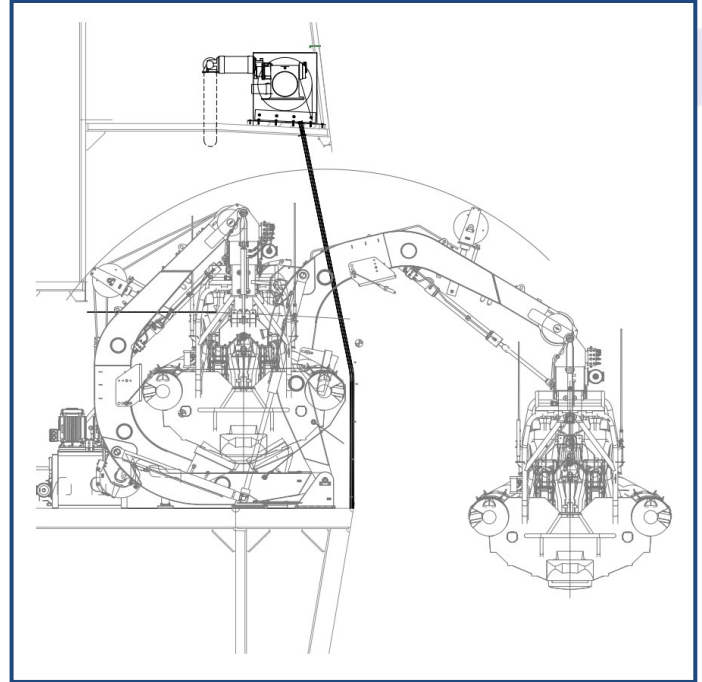
Please discuss your requirements with our technical sales team.

### Weight

Varies with the opening size but approximately 45kg/m<sup>2</sup>.

### Options

- Alternative supply voltages and frequencies.
- ATEX rated motor and controls.
- Heating systems allowing for use in cold environments.
- Increased wind load capability up to 62.6m/sec.
- Heavy duty open/close/stop push button control.
- Alternative mounting options and arrangements.
- Alternative finish options for complete shutter:-
  - C4M marine grade powder coat finish.
  - Grade 304 stainless steel.
  - Grade 316L stainless steel.



### To specify this product please state:

**Marine Roller Shutter** shall be by Bolton Gate Company Ltd, Waterloo Street, Bolton BL1 2SP, UK

**Tel:** 01204 871001;

**E-mail:** [sales@boltongate.co.uk](mailto:sales@boltongate.co.uk) **Web:** [www.boltongate.co.uk](http://www.boltongate.co.uk)