

Bolton Gate Company's Eurofold sliding folding shutter has outstanding strength and versatility which, combined with bespoke sizing, render it suitable for the most diverse range of external and internal closure applications, from the smallest commercial to the largest industrial openings.

Bolton Eurofold doors are available in single or in pairs, manual or electric, and are an extremely smoothly operating durable product, capable of withstanding vehicle collision and even the severest wind conditions.

Performance Characteristics:

Arrangements up to Wind Load Class 5 are available.

Applications Include:

Loading Bays, Factories, Garages, limited headroom applications.

STANDARD SPECIFICATION

Operation

Manual push / pull operation is provided as standard.

An option for electrical operation can also be supplied using a totally enclosed 400-volt nominal, 3-phase geared motor.

A constant pressure push button starter is provided for use adjacent to and in full view of the opening. In the event of power failure, a disconnection to manual operation is included.

Gate Frame

The Bolton Eurofold's intrinsic strength is gained from the gate frame which is formed from unique double channel vertical pickets made from 1.2mm thick galvanised steel. These are interconnected by 2mm thick galvanised cold formed lattice bars.

The gate frame is top hung from a ball bearing pulley connected to the picket by zinc plated pulley brackets. At the base the frame is fitted with zinc plated bottom guide pieces designed to run in a bottom track.

Leading Edge

The high security leading edge strengthens the shutter further and is manufactured from a galvanised section which incorporates pull handles. An overlapping weather astragal is provided.

Shutter Leaves

Ease of operation and strength is gained from the full height galvanised steel shutter leaves at 229mm or 305mm wide x 1.2mm thick. These are formed into a unique detail to provide a continuously interlocking weather resistant installation when interconnected by securely capped galvanised hinge strips.

Top Track

The top track used to support the shutter is constructed from two 90mm deep galvanised steel sections, bolted together to give a strong, smooth running profile designed to minimise friction. A key benefit is that only a small amount of headroom is required for the top track and variable packing is provided to allow adjustment in height.



Bottom Track

The bottom guide pieces are retained within a 3mm thick galvanised steel bottom track channel.

Coverplate / End Panels

A galvanised steel weather coverplate is provided over the top of the shutter leaves which is bolted to the top track and supported by straps to provide both security and weather protection.

For doors face fixed behind and bunching clear of the opening an aesthetically pleasing, weather resistant closure is provided using galvanised steel sheet end panels. For increased security, single doors close onto a galvanised steel slam channel fixed full height to the opening structure.

Shutter Arrangements

Eurofold shutters are supplied to fit internal, between or external of opening structure, shutters are supplied single (bunching to one side), or in a pair, i.e. bi parting, manual or, as an extra, electrically operated.

MAXIMUM SIZES

Single: Up to 50m² (max 10m in width & max 6m in height).
Pair: Up to 100m² (max 20m in width & max 6m in height).

Please refer to 'Bolton Superior' (Data Sheet 1-1) if sizes in excess of the above required.

FINISH

Mainly galvanised steel with ungalvanised components finished with one coat of priming paint.

WEIGHT

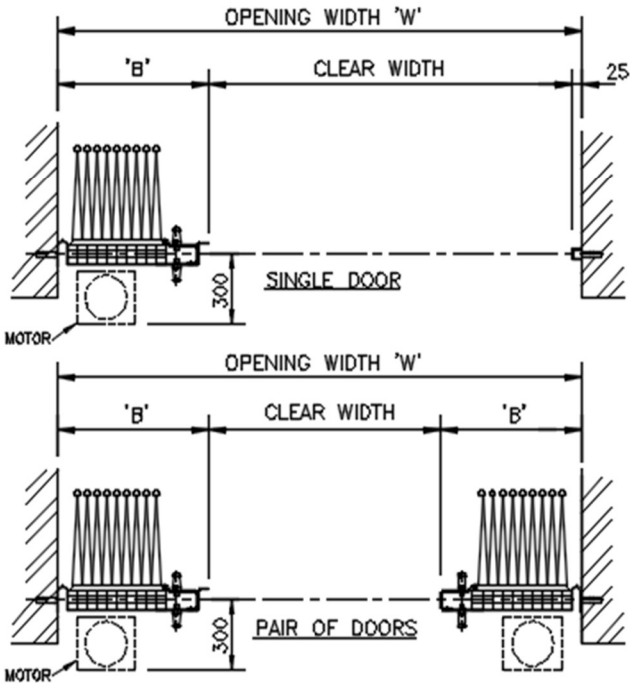
Approximately 32kgs m².

OPTIONS

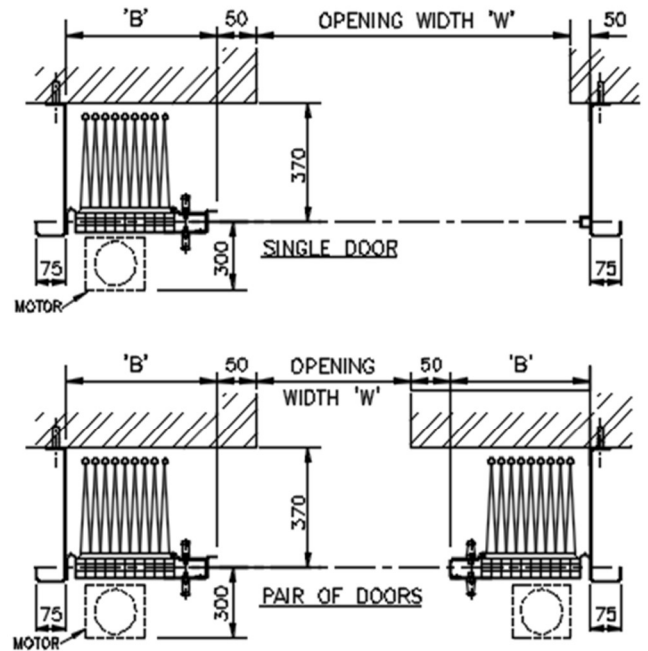
- Electric operation.
- Polyester powder coated finish in a range of standard RAL colours.
- Vision panels.
- Safety edges / photocells.

EUROFOLD DOOR – TECHNICAL DETAILS

FIXED BETWEEN ARRANGEMENT



FACE FIXED ARRANGEMENT



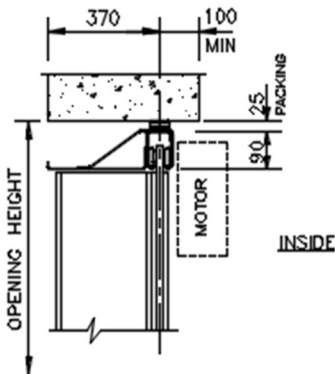
SINGLE DOOR '305mm LEAVES'		PAIR OF DOORS 305mm LEAVES	
OPENING WIDTH 'W'	BUNCH 'B'	OPENING WIDTH 'W'	BUNCH 'B' (EACH SIDE)
UP TO 739	211	UP TO 1478	211
UP TO 1323	238	UP TO 2646	238
UP TO 1907	265	UP TO 3814	265
UP TO 2491	292	UP TO 4982	292
UP TO 3075	319	UP TO 6150	319
UP TO 3659	346	UP TO 7318	346
UP TO 4243	373	UP TO 8486	373
UP TO 4827	400	UP TO 9654	400*
UP TO 5411	427	UP TO 10822	427*
UP TO 5995	454	UP TO 11990	454*
UP TO 6579	481	UP TO 13158	481*
UP TO 7163	508	UP TO 14326	508*
UP TO 7747	535	UP TO 15494	535*

* ON ELECTRIC DOORS ADD 50 TO DIM. 'B'

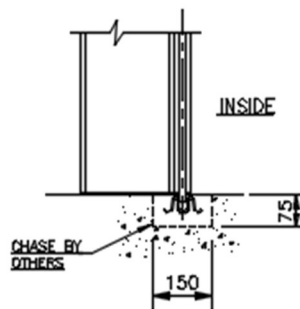
SINGLE DOOR '305mm LEAVES'		PAIR OF DOORS 305mm LEAVES	
OPENING WIDTH 'W'	BUNCH 'B'	OPENING WIDTH 'W'	BUNCH 'B' (EACH SIDE)
UP TO 985	238	UP TO 2070	238
UP TO 1542	265	UP TO 3184	265
UP TO 2099	292	UP TO 4298	292
UP TO 2656	319	UP TO 5412	319
UP TO 3213	346	UP TO 6526	346
UP TO 3770	373	UP TO 7640	373
UP TO 4327	400	UP TO 8754	400*
UP TO 4884	427	UP TO 9868	427*
UP TO 5441	454	UP TO 10982	454*
UP TO 5998	481	UP TO 12096	481*
UP TO 6555	508	UP TO 13210	508*
UP TO 7112	535	UP TO 14324	535*

* ON ELECTRIC DOORS ADD 50 TO DIM. 'B'

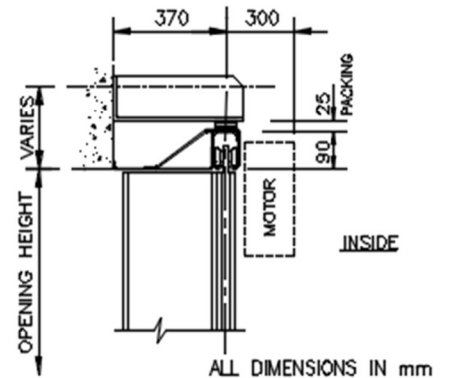
HEAD DETAIL



BOTTOM TRACK DETAIL



HEAD DETAIL



ALL DIMENSIONS IN mm