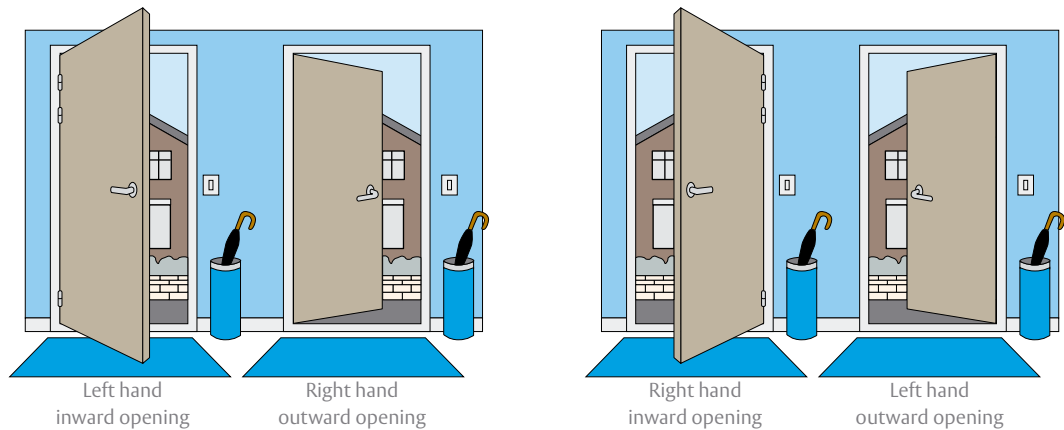


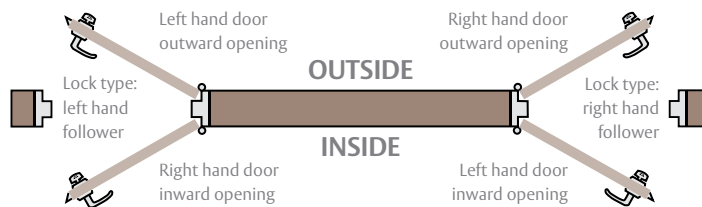
Door handing

A simple rule how to decide whether the door is left hand or right hand – Stand in front of the closed door on the side where you can see the hinges. If the hinges are to the right, it is a right hand door – if you see them to the left it is a left hand door.

Note that the handing of the door is always decided from the position of the hinge knuckles.



When specifying split follower locks the direction of door opening must also be stated.



How to order

A complete ASSA lock is made up from a number of different components. Thanks to the innovative modular nature of our product range, the specifier has a high degree of flexibility when assembling a lock package, because many items are interchangeable.

This guide shows how to draw up an order for a complete lock.

Lockset Type	Backset	Hand of Lock	Opening of Door	Cylinder Type	Accessory Type	Lever Handle Type	Optional Items	Finish	Door Thickness
See product pages	Select from options available	See door handing above	See door handing above	Refer to Cylinder & Key Systems section	Refer to Door Furniture section	Refer to Door Furniture section	If required see pages 3:62-63 and/or Door Furniture section	See finishes on page 3:66	Please state door thickness
Example: 310	Example: 70mm	Example: LH	Example: Inward	Example: 4801	Example: 256	Example: 640	Example: 4291	Example: 13	Example: 44mm
Most ASSA lock ranges offer a choice of backset; eg Connect (35/50/70) Modular (50/70), and Euro (55/60).	ASSA locks feature latchbolts which can be easily reversed on site, allowing the lock to be fitted to either hand of door.	The direction of door opening and door handing is critical information when specifying Split Follower locks.		Connect and Modular locks use Scandinavian Oval or Round cylinders; Compact locks use UK Oval or Euro profile; Euro locks use Euro profile only.	A complete Connect or Modular lock (50 or 70mm backset only) will normally include a 256 accessory set (cylinder ring & thumbturn) unless otherwise stated.	Lever handles and optional items such as decorative plates may be specified if desired. Furthermore, ASSA locks are compatible with many other makes of quality door furniture.			This information allows the stockist to determine the correct sizes of various components.

Standards

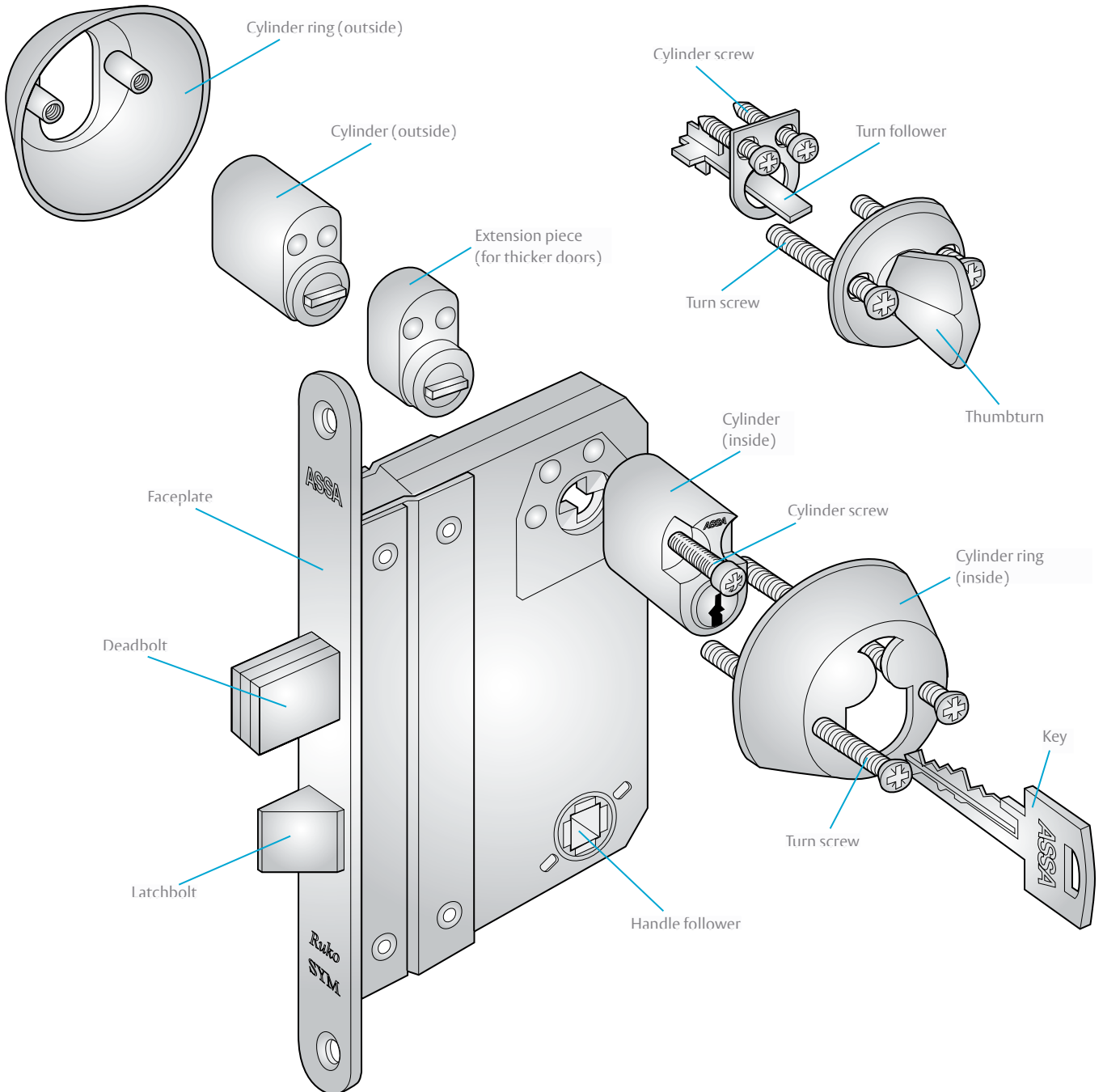
BS EN 12209 classifies lockcases under the categories shown. Certain locks also comply with BS EN 179 when used with appropriate accessories..

Category of use	Durability	Door mass	Fire resistance	Safety	Corrosion resistance	Security	Door application	Key operation	Spindle operation	Key identification

(Note: graphic icons are copyright by the Door and Hardware Federation: www.dhfonline.org.uk)

Terminology & assembly

Names of lock components vary regionally and from one manufacturer to another. To ensure clarity in specifying ASSA locks the terminology shown below should be used as applicable.



Finishes

In the increasingly polluted atmosphere in which we live, the demands on products to resist corrosion are particularly high. ASSA products have the benefit of the latest automatic plating equipment which incorporates the best of modern plating processes. In addition our products are suitable for replating, on occasions when it is important to match the finish of other ironmongery on a project.

Except when stated as appropriate, all lockcases and components are manufactured from zinc plated steel. This offers excellent strength and corrosion resistance.

✓ Standard finish

● Special finish

Contact your stockist for up-to-date information.

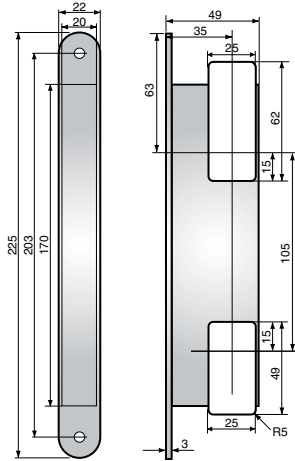
	Item	Bright nickel Fin 02	Polished chrome Fin 11	Satin chrome Fin 13	Polished brass Fin 20	Satin s/steel Fin 31	Polished s/steel Fin 32	S/steel effect Fin 34	Bright zinc Fin 57	Yellow zinc/iron Fin 62	Black lacquer Fin 66	Aluminium Fin 81
Connect locks	Lockset			●					✓			
	Accessories*		●	✓	✓	✓						✓
	Cylinder		●	✓	✓			✓				
Modular locks	Lockset			✓	✓				●			
	Accessories		●	✓	✓	✓						✓
	Cylinder		●	✓	✓			✓				
D450 Euro locks	Lockset					✓						
	Accessories					✓						✓
	Cylinder			✓				✓				
Compact locks	Lockset				✓	✓	✓					
	Accessories		✓	✓	✓	✓						✓
	Cylinder		●	✓	✓			✓				
Small case locks	Lockset			✓	✓							
	Accessories		●	✓	✓	✓						
	Cylinder		●	✓	✓			✓				
Narrow profile locks	Lockset								✓			
	Accessories		✓									
	Cylinder			✓				✓				
Cabinet locks	Lockset	✓										
	Cylinder			✓	●							
Cupboard locks	Lockset								✓			
	Cylinder			✓	✓							
Rim locks	Lockset										✓	
	Cylinder			✓	✓							
2020T toilet lock	Lockset									✓		
	Cylinder			✓	✓							
40C lever lock	Lockset								✓			
	Cylinder			✓								

* Connect locks with 35mm backset use special narrow profile accessories available in finish 13 only.

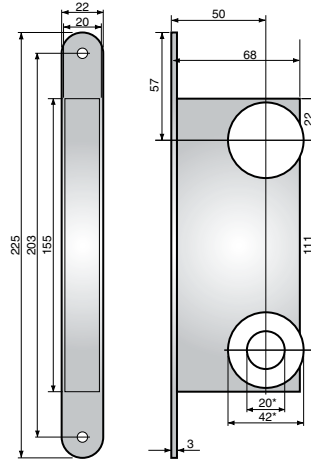
Door preparation

ASSA Connect, Modular and Compact locks are supplied with a full size template and fixing instructions. We recommend factory fixing of all locks ensuring accuracy in door preparation. Where this is not possible care should be taken to allow sufficient clearance for the lockcase into its mortice.

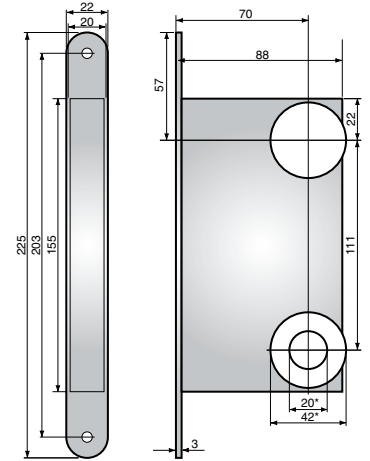
Connect 35mm basket



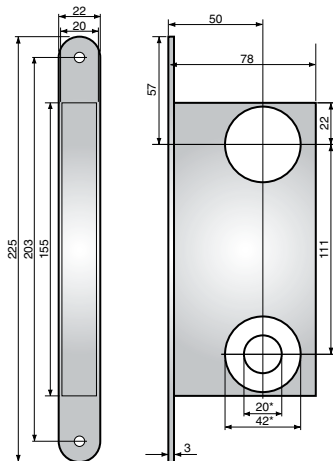
Connect 50mm basket



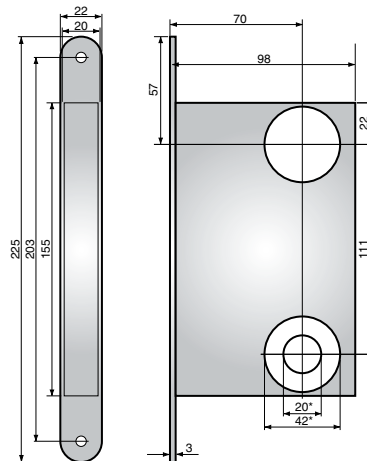
Connect 70mm basket



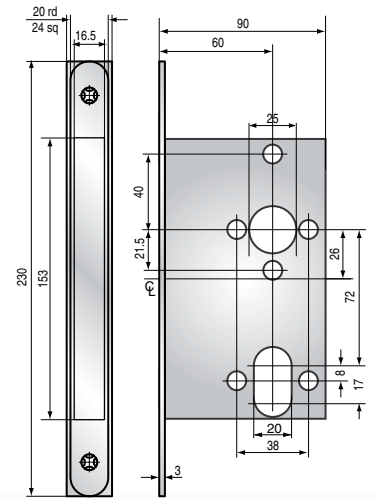
Modular 50mm basket



Modular 70mm basket



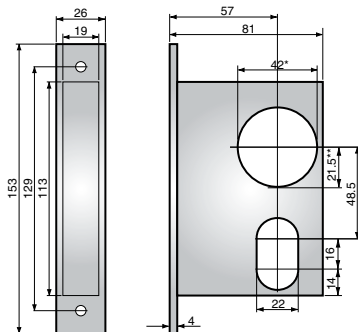
D450 Euro 60mm basket



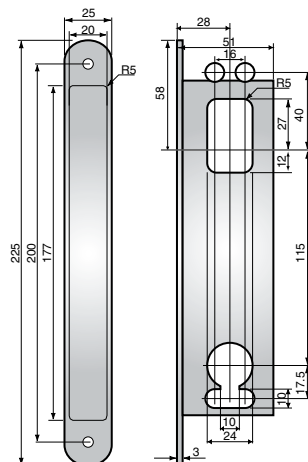
*20mm diameter for surface fixing handles (or follow manufacturer's instructions), 42mm diameter for ASSA bolt through handles

Thumbturn hole on 2000, 8769 locks: drill 24mm dia. hole on one side of door only. Centre of this hole is 61mm below centre of upper (cylinder) hole on diagram above.

Compact 57mm basket

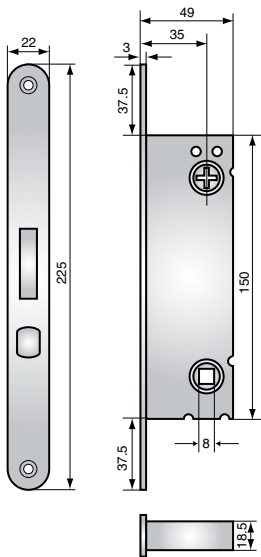


Narrow Profile 28mm basket

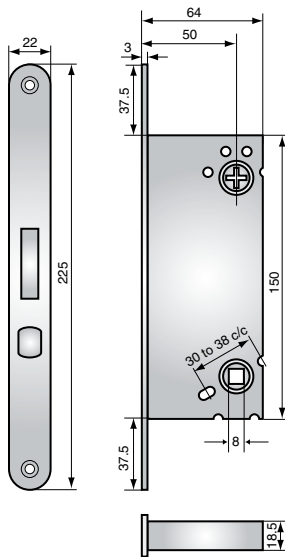


Lockcase dimensions

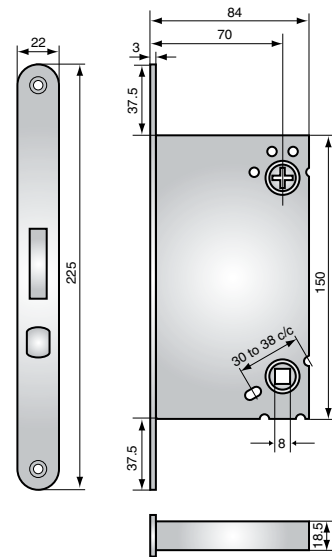
Connect 35mm backset



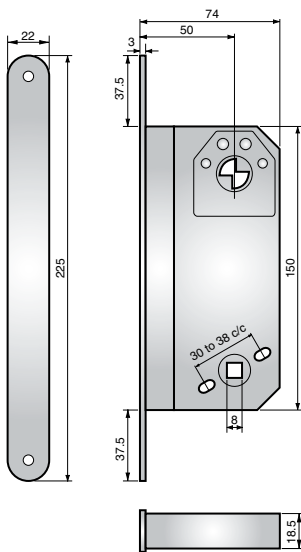
Connect 50mm backset



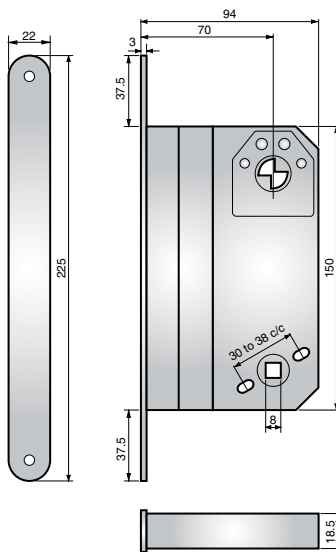
Connect 70mm backset



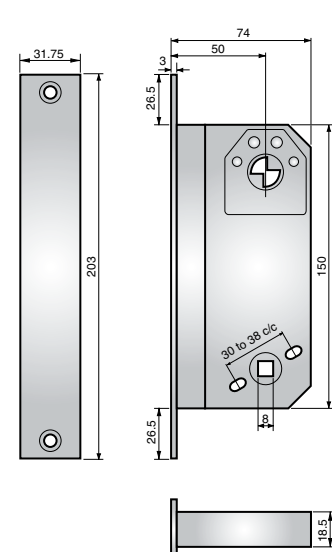
Modular 50mm backset



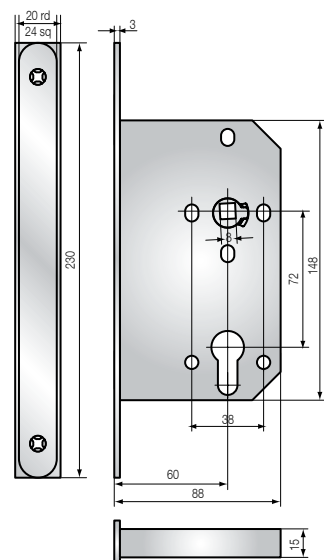
Modular 70mm backset



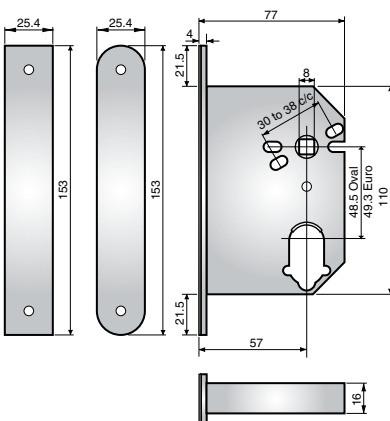
Modular ANSI faceplate



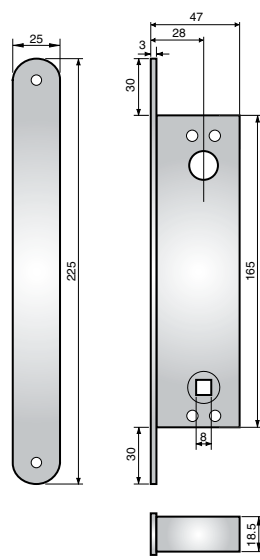
D450 Euro 60mm backset



Compact 57mm backset

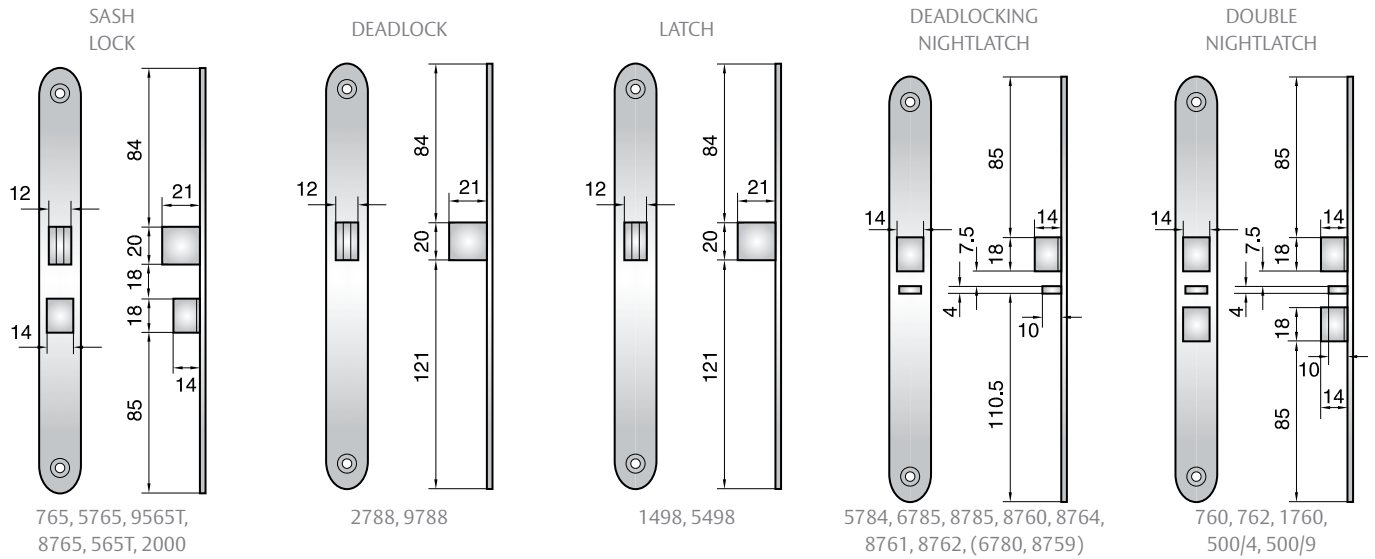


Narrow Profile 28mm backset

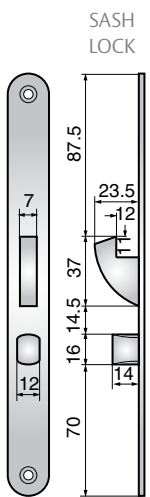


Dimensions & positions of bolts

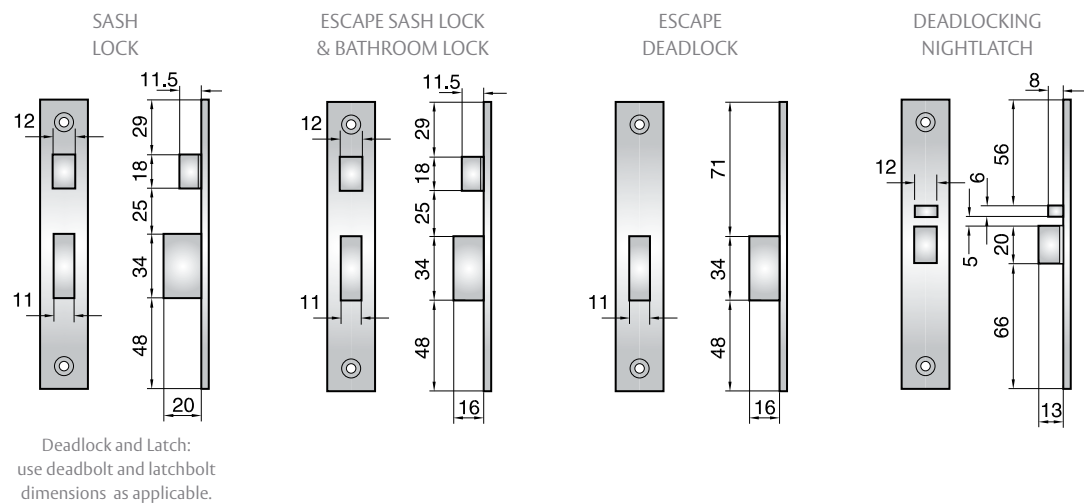
Modular



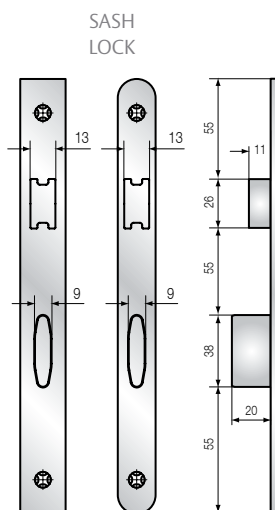
Connect



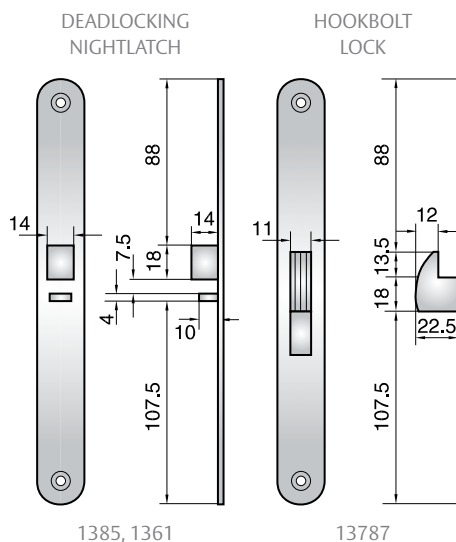
Compact



D450 Euro

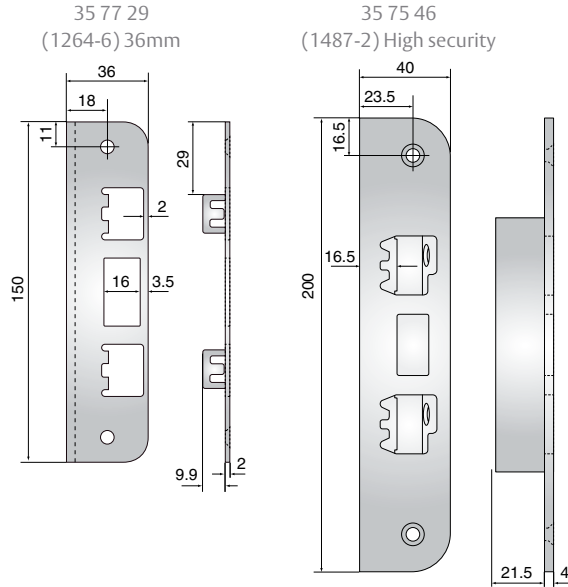


Narrow profile

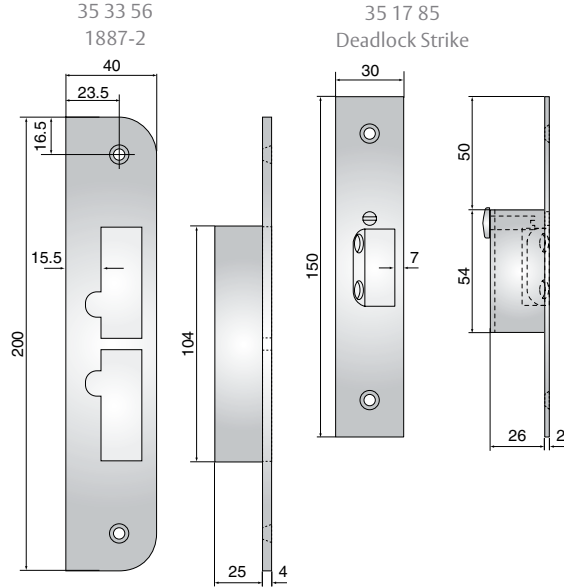


Striking plate dimensions

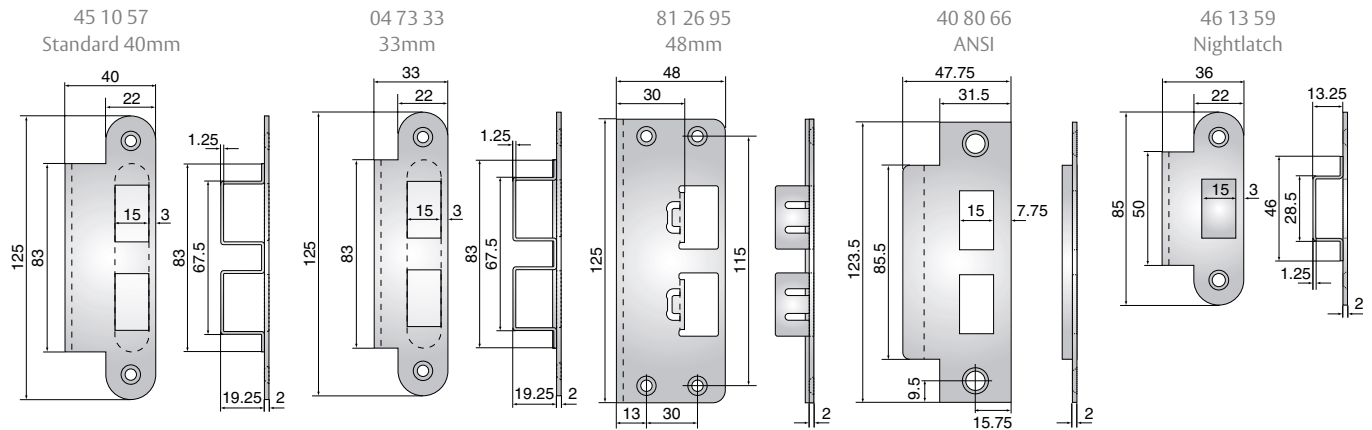
Connect



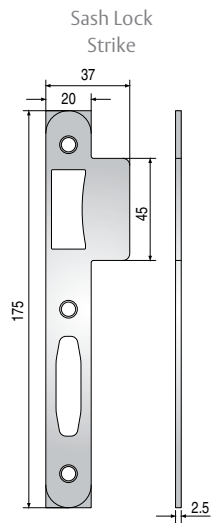
Modular high security



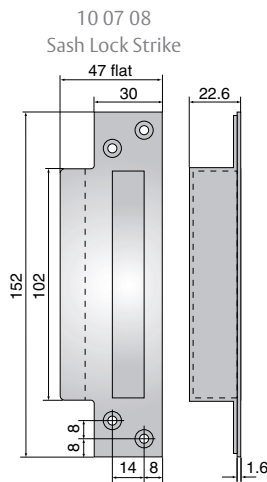
Modular



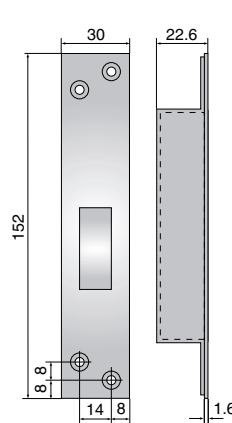
D450 Euro



Compact



10 07 09
Deadlock Strike



High security for hookbolts

